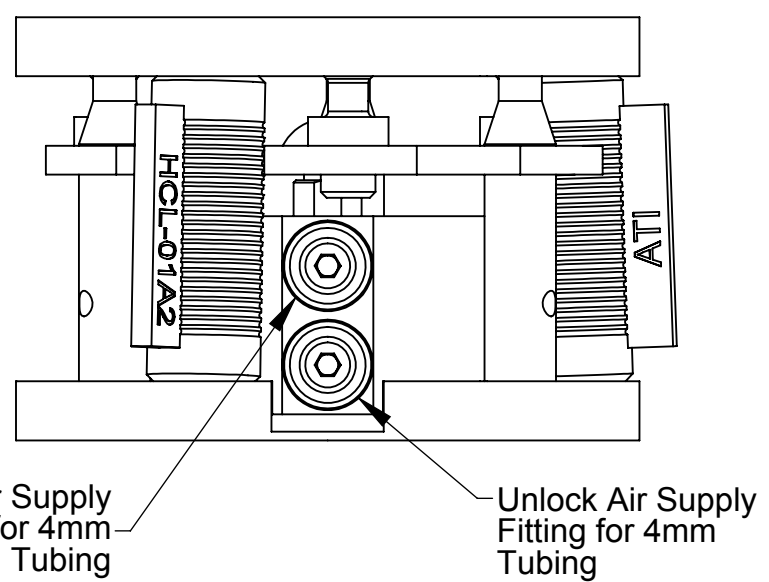
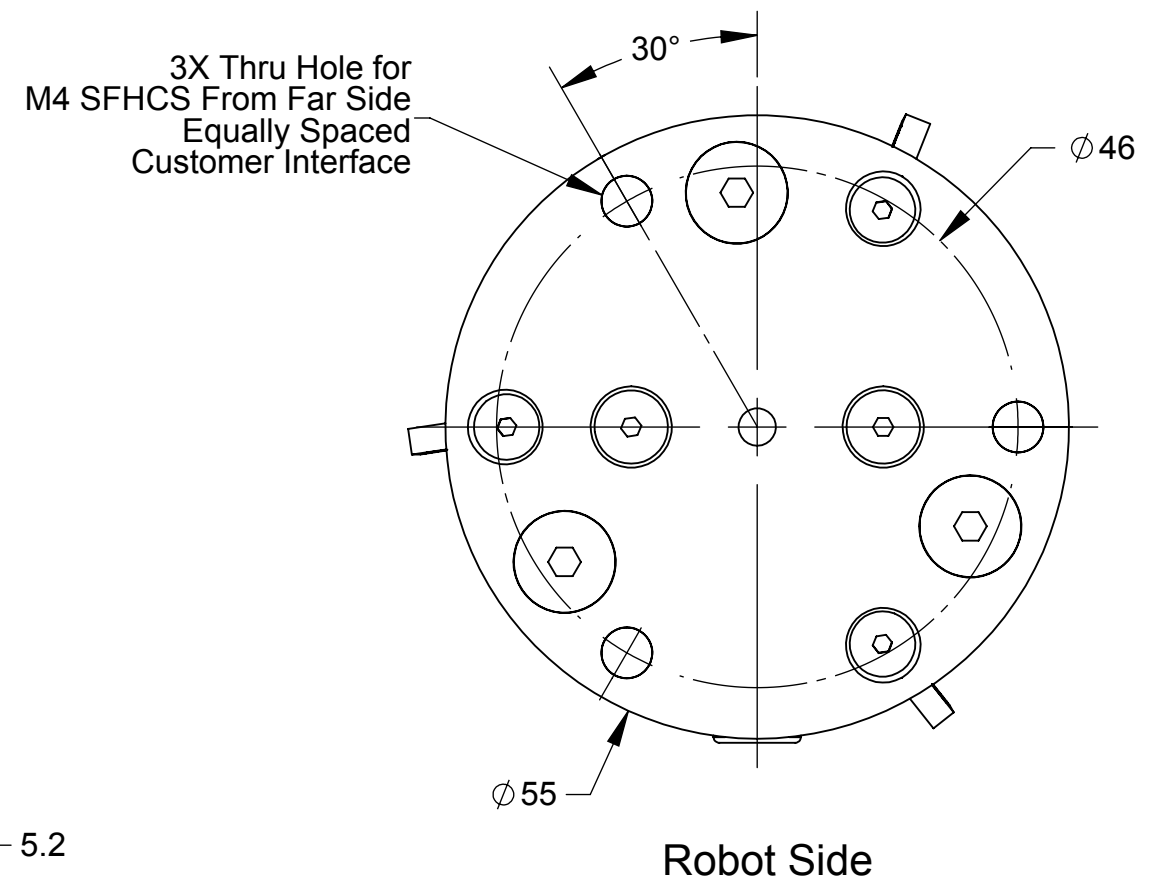
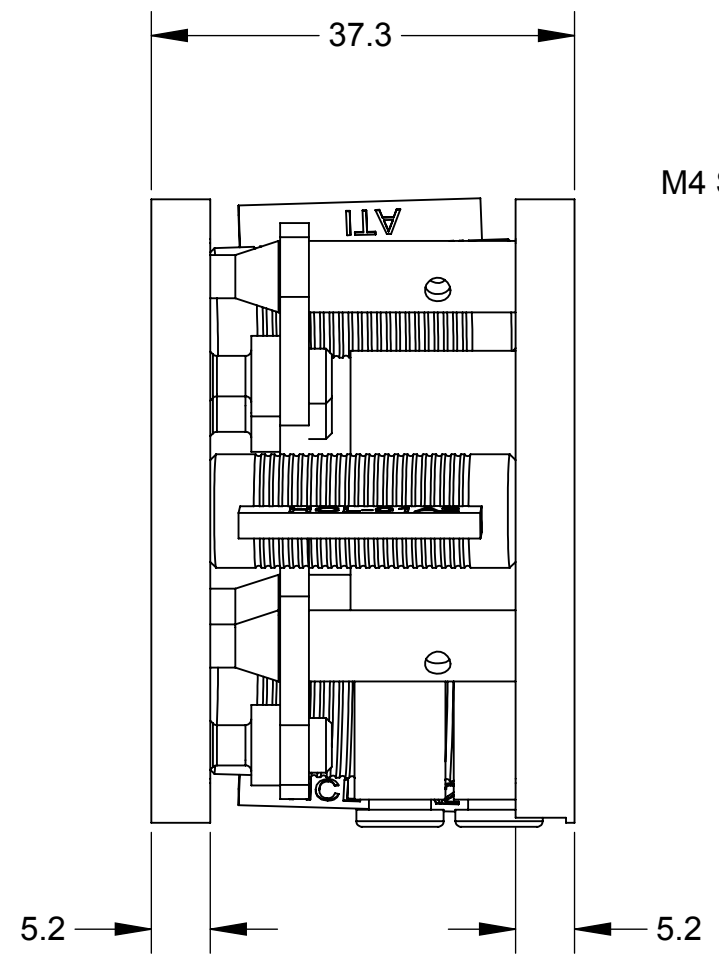
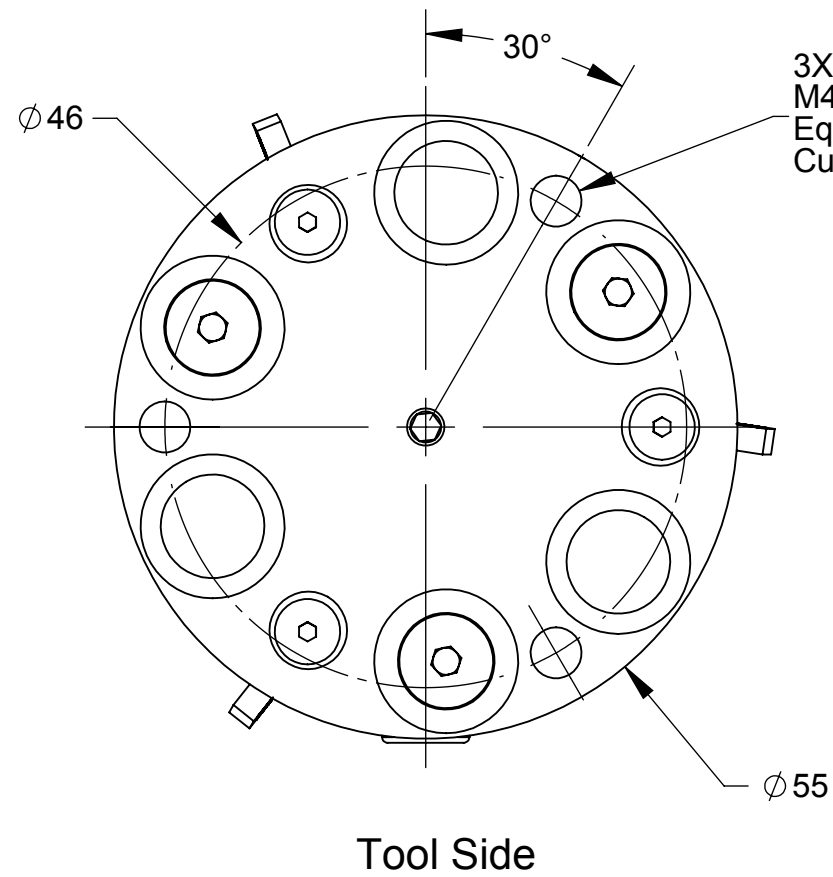


| Rev. | Description | Initiator | Date |
|------|---|-----------|-----------|
| 04 | ECO 15991: Replaced 3405-1220003-01 with 3405-1210024-01. Removed revision block from sheet 2. Updated Title block as well. | TBC | 8/14/2017 |

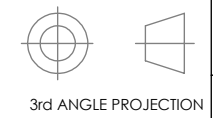


Part Number: 9115-001-A-L

Notes:
1. Unit shown with optional Lock-up.

NOTES: UNLESS OTHERWISE SPECIFIED.

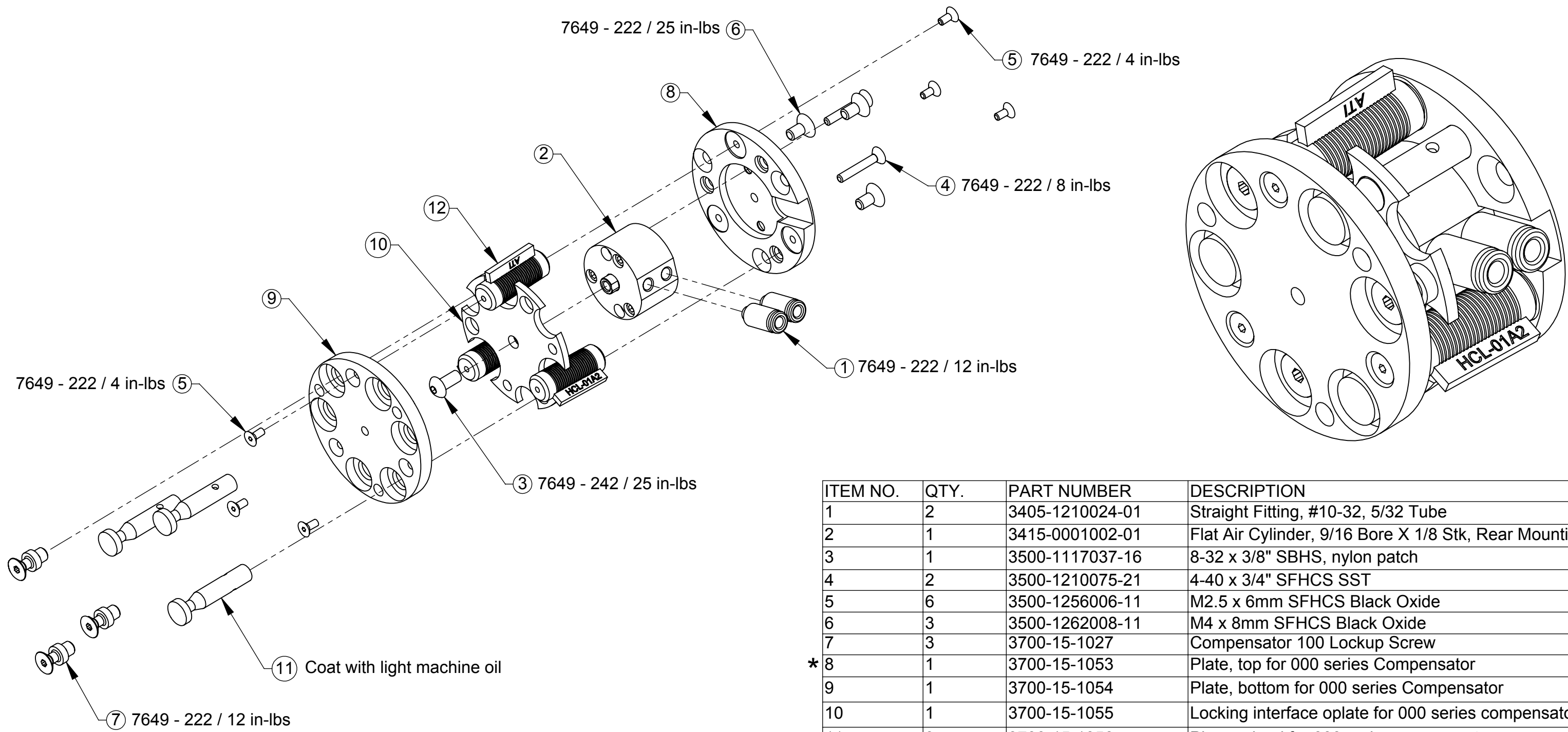
DO NOT SCALE DRAWING. ALL DIMENSIONS ARE IN MILLIMETERS.



1031 Goodworth Drive, Apex, NC 27539, USA
Tel: +1.919.772.0115 Email: info@ati-ia.com
Fax: +1.919.772.8259 www.ati-ia.com
ISO 9001 Registered Company

PROPERTY OF ATI INDUSTRIAL AUTOMATION, INC. NOT TO BE REPRODUCED IN ANY MANNER EXCEPT ON ORDER OR WITH PRIOR WRITTEN AUTHORIZATION OF ATI.

| | | | |
|-----------------------------|--------------|--|--------|
| DRAWN BY: P.Sparrow, 1/2/06 | | TITLE | |
| CHECKED BY: J.Snape, 1/4/06 | | Compensator 9115 Series 000 with Lock-up | |
| PROJECT # | 031125-2 | SHEET | 1 OF 2 |
| SCALE | 1.5:1 | SIZE | B |
| DRAWING NUMBER | 9230-15-1036 | REVISION | 04 |



7649 - 222 / 25 in-lbs ⑥

7649 - 222 / 4 in-lbs ⑤

7649 - 222 / 8 in-lbs ④

7649 - 222 / 12 in-lbs ①

7649 - 242 / 25 in-lbs ③

7649 - 222 / 4 in-lbs ⑤

7649 - 222 / 12 in-lbs ⑦

⑪ Coat with light machine oil

| ITEM NO. | QTY. | PART NUMBER | DESCRIPTION |
|----------|------|-----------------|--|
| 1 | 2 | 3405-1210024-01 | Straight Fitting, #10-32, 5/32 Tube |
| 2 | 1 | 3415-0001002-01 | Flat Air Cylinder, 9/16 Bore X 1/8 Stk, Rear Mounting |
| 3 | 1 | 3500-1117037-16 | 8-32 x 3/8" SBHS, nylon patch |
| 4 | 2 | 3500-1210075-21 | 4-40 x 3/4" SFHCS SST |
| 5 | 6 | 3500-1256006-11 | M2.5 x 6mm SFHCS Black Oxide |
| 6 | 3 | 3500-1262008-11 | M4 x 8mm SFHCS Black Oxide |
| 7 | 3 | 3700-15-1027 | Compensator 100 Lockup Screw |
| * 8 | 1 | 3700-15-1053 | Plate, top for 000 series Compensator |
| 9 | 1 | 3700-15-1054 | Plate, bottom for 000 series Compensator |
| 10 | 1 | 3700-15-1055 | Locking interface oplate for 000 series compensator |
| 11 | 3 | 3700-15-1056 | Pin, overload for 000 series compensator |
| 12 | 3 | 3710-15-1008 | HCL- 01A2 Bonded Strain Element (replacement for BL HCL-01A) |

NOTES: UNLESS OTHERWISE SPECIFIED.

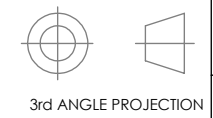
DO NOT SCALE DRAWING. ALL DIMENSIONS ARE IN MILLIMETERS.



1031 Goodworth Drive, Apex, NC 27539, USA
 Tel: +1.919.772.0115 Email: info@ati-ia.com
 Fax: +1.919.772.8259 www.ati-ia.com
 ISO 9001 Registered Company

PROPERTY OF ATI INDUSTRIAL AUTOMATION, INC. NOT TO BE REPRODUCED IN ANY MANNER EXCEPT ON ORDER OR WITH PRIOR WRITTEN AUTHORIZATION OF ATI.

* Air Cylinder changed 4/17. If replacing cylinder on a unit purchased prior to that date replace top Plate also.



| | | | |
|-----------------------------|--------------|--|-------------|
| DRAWN BY: P.Sparrow, 1/2/06 | | TITLE | |
| CHECKED BY: J.Snape, 1/4/06 | | Compensator 9115 Series 000 with Lock-up | |
| PROJECT # 031125-2 | SHEET 2 OF 2 | SCALE 1.5:1 | SIZE B |
| | | DRAWING NUMBER 9230-15-1036 | REVISION 04 |