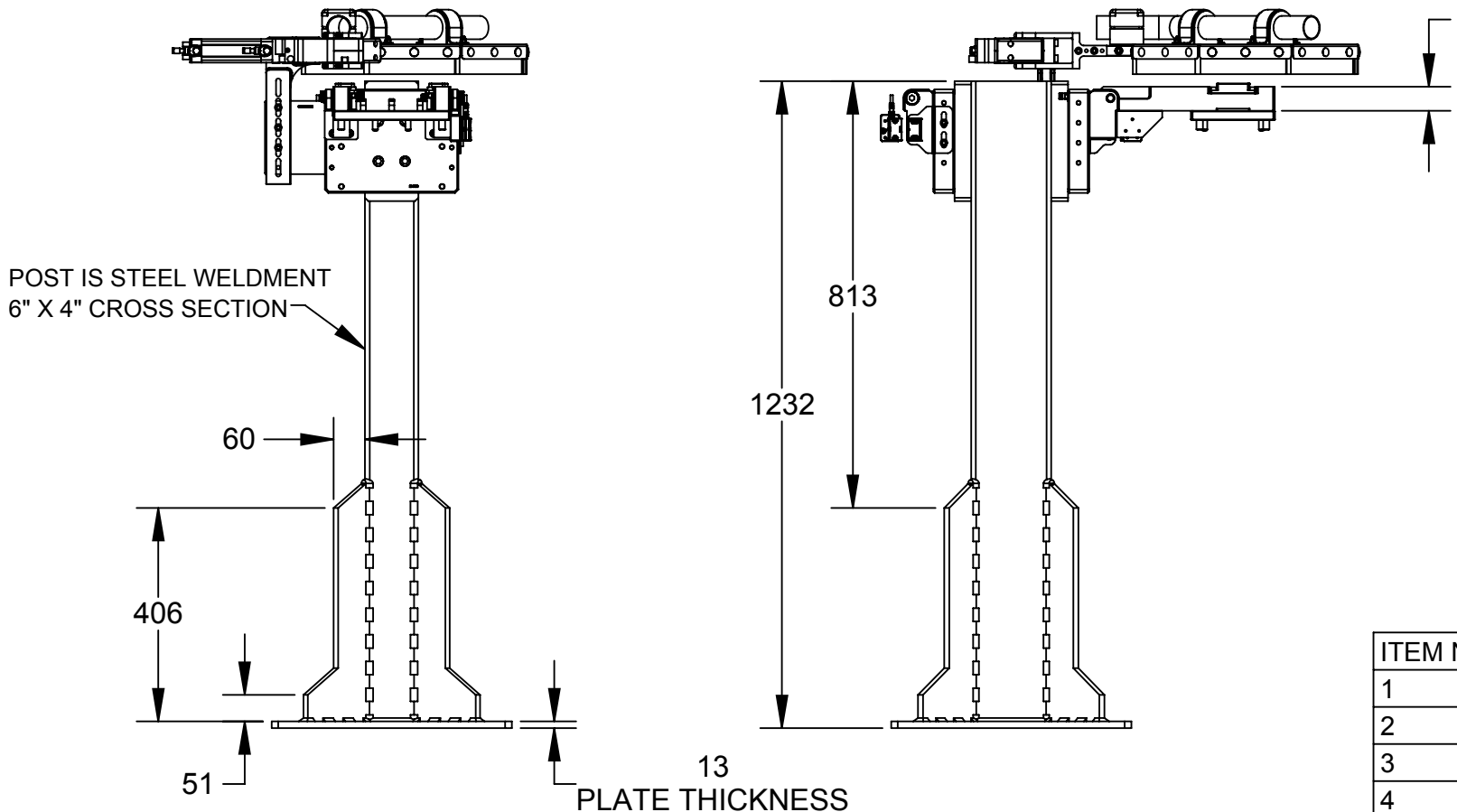
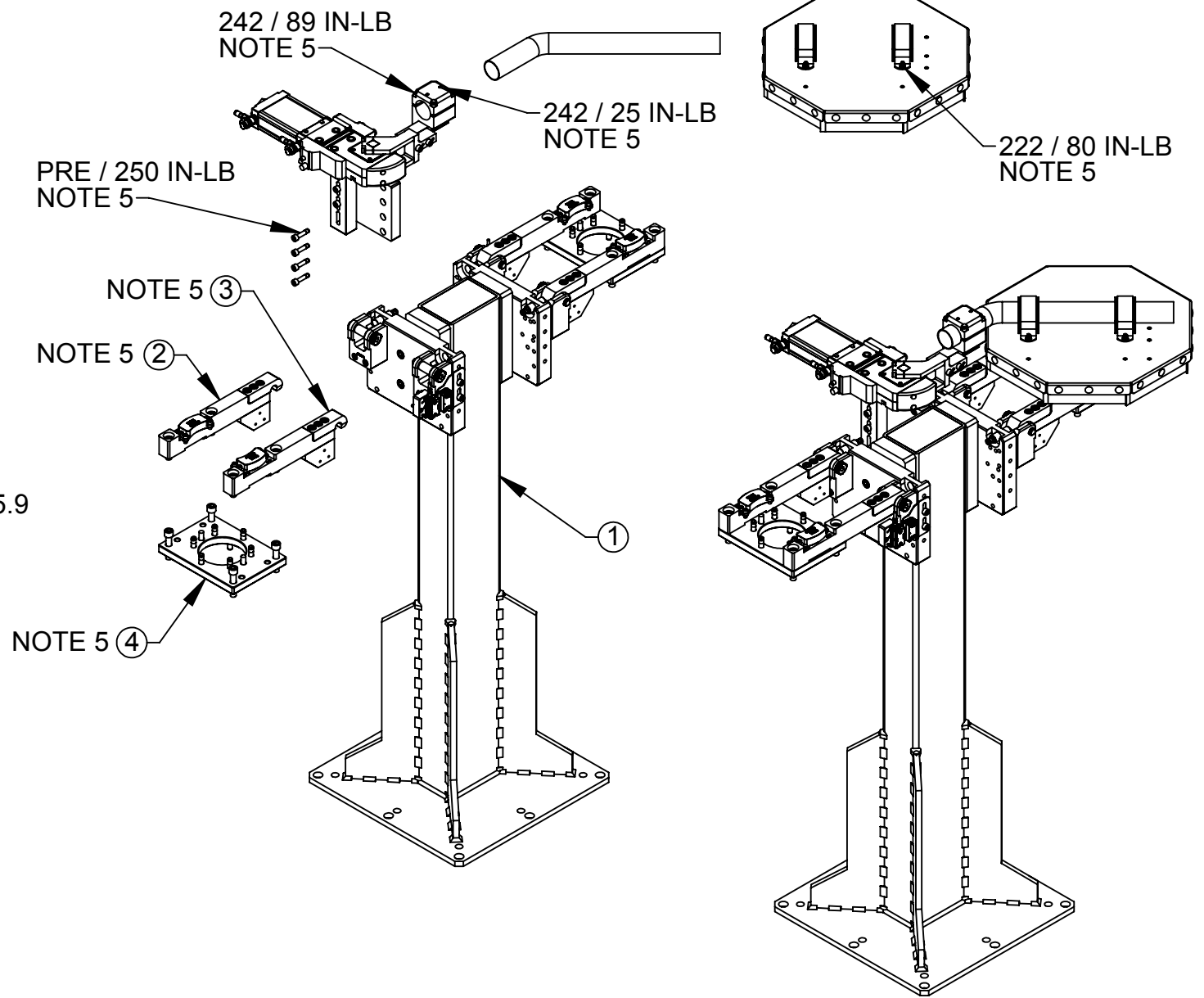
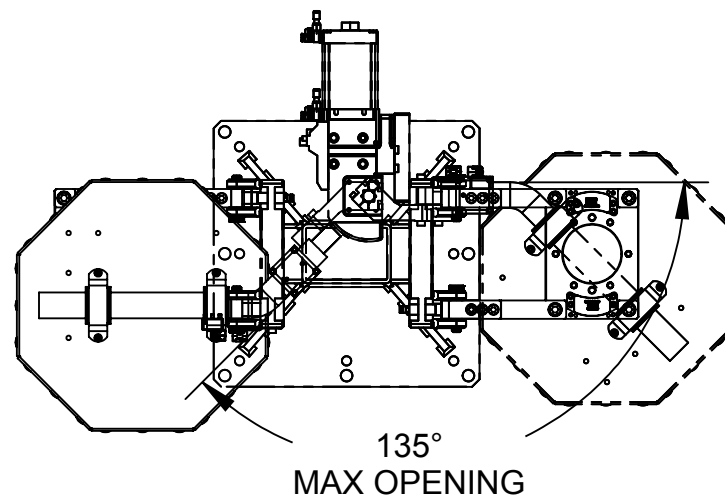
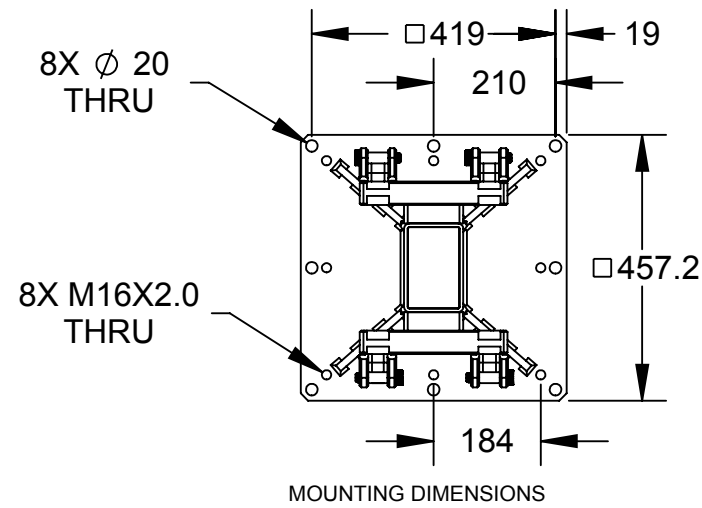


| Rev. | Description | Initiator | Date |
|------|-----------------|-----------|------------|
| 01 | INITIAL DRAWING | TGD | 06/05/2019 |



| ITEM NO. | QTY | PART NUMBER | DESCRIPTION |
|----------|-----|-------------------|--|
| 1 | 1 | 9120-TSL-ASY-7837 | TSL DUAL STAND - HOOKS, SMA, ADJUSTABLE DSA, DS - 48" HIGH |
| 2 | 2 | 9121-NA2-T | 210 TOOL HOOK MODULE, RIGHT |
| 3 | 2 | 9121-NA3-T | 210 TOOL HOOK MODULE, LEFT |
| 4 | 2 | 9121-TSL-IP-6757 | 210 TSL IP BLANK W/ M12 THRU HOLES |

- NOTES:
1. DRY FASTENERS INSTALLED HAND TIGHT FOR SHIPMENT. CUSTOMER TO SET FINAL PLACEMENT AND SECURE WITH SUGGESTED LOCTITE OR SIMILAR THREADLOCKER AND TORQUE TO RECOMMENDED TORQUE VALUE.
 2. TOOL STAND ASSEMBLY SHIPPED UNASSEMBLED. DEBRIS SHIELDS, DEBRIS SHIELD ARMS, AND DEBRIS SHIELD ACTUATORS SHIPPED LOOSE. CUSTOMER TO SET FINAL PLACEMENT AND SECURE WITH SUGGESTED LOCTITE OR SIMILAR THREADLOCKER AND TORQUE TO RECOMMENDED TORQUE VALUE.
 3. CUSTOMER TO PROVIDED EOAT DOWELS & FASTENERS.
 4. POST WELDMENT COLOR WHITE (RAL 9003)
 5. HOOK ARMS AND INTERFACE PLATES ORDERED SEPARATELY

NOTES: UNLESS OTHERWISE SPECIFIED.
DO NOT SCALE DRAWING. ALL DIMENSIONS ARE IN MILLIMETERS.

ATI INDUSTRIAL AUTOMATION

1031 Goodworth Drive, Apex, NC 27539, USA
Tel: +1.919.772.0115 Email: info@ati-ia.com
Fax: +1.919.772.8259 www.ati-ia.com
ISO 9001 Registered Company

PROPERTY OF ATI INDUSTRIAL AUTOMATION, INC. NOT TO BE REPRODUCED IN ANY MANNER EXCEPT ON ORDER OR WITH PRIOR WRITTEN AUTHORIZATION OF ATI.

DRAWN BY: T. Delp, 6/5/2019
CHECKED BY: J. Winterroth, 7/12/19

PROJECT # 190528-1 SHEET 1 OF 1

TITLE: TSL Dual Stand - Hooks, SMA, Adjustable DSA, DS - 48" High

SCALE: 1:13
SIZE: B
DRAWING NUMBER: 9630-20-TSL-ASY-7837
REVISION: 01

3rd ANGLE PROJECTION