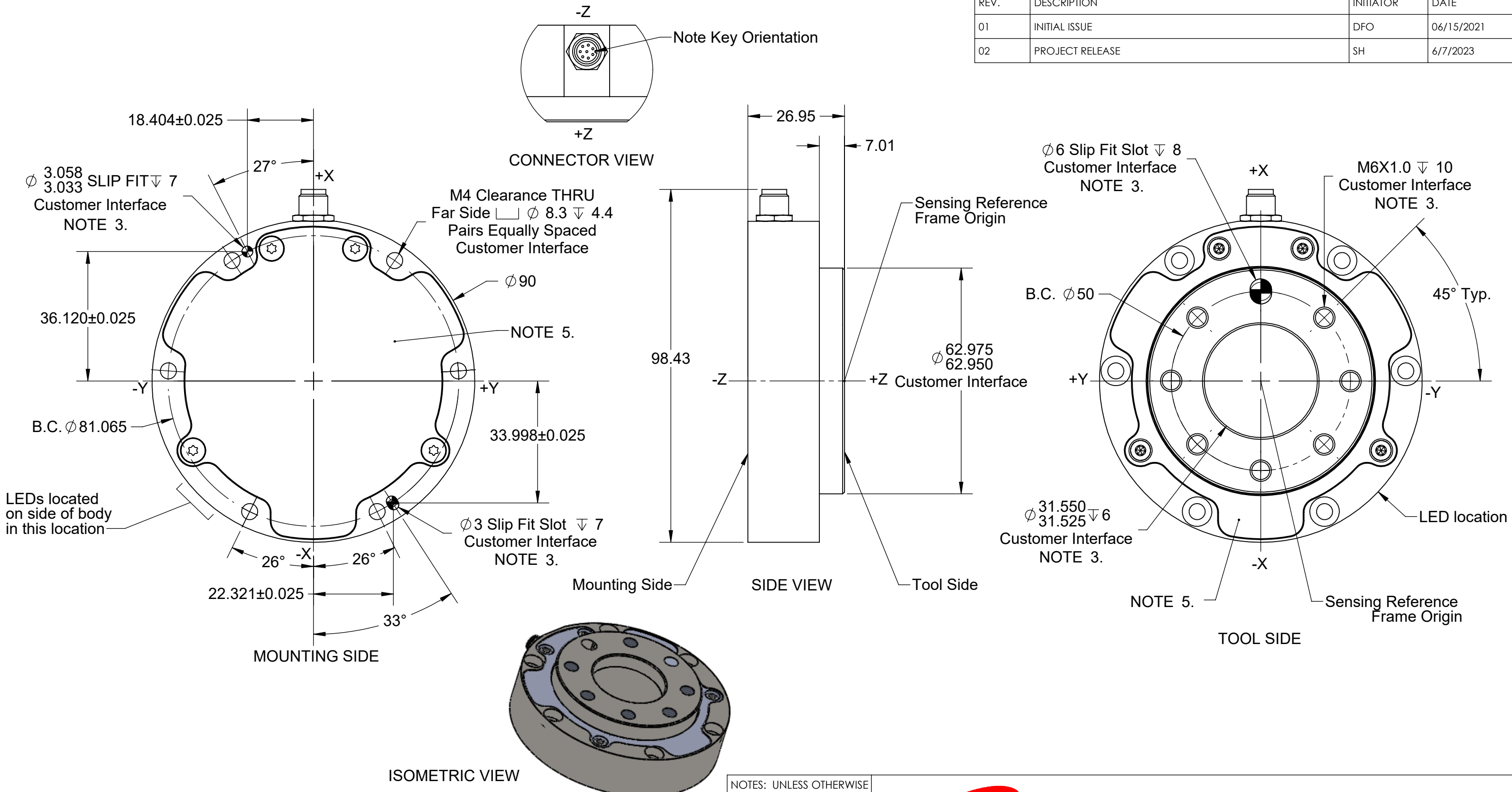


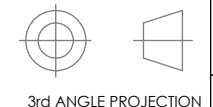
REV.	DESCRIPTION	INITIATOR	DATE
01	INITIAL ISSUE	DFO	06/15/2021
02	PROJECT RELEASE	SH	6/7/2023



- Notes:
1. Material: Stainless Steel
  2. Do not touch internal electronics or instrumentation. This could damage transducer and will void the warranty.
  3. Do not exceed interface depth, may cause incorrect readings.
  4. For best accuracy, transducer must be mounted to a surface rigid enough to support loads without deflection
  5. Recessed cover plate surface is not structural. Mount transducer to a flat surface that makes contact around the perimeter.

NOTES: UNLESS OTHERWISE SPECIFIED.

DO NOT SCALE DRAWING. ALL DIMENSIONS ARE IN MILLIMETERS.



1031 Goodworth Drive, Apex, NC 27539, USA  
 Tel: +1.919.772.0115 www.ati-ia.com  
 Fax: +1.919.772.8259 ISO 9001 Registered Company

PROPERTY OF ATI INDUSTRIAL AUTOMATION, INC. NOT TO BE REPRODUCED IN ANY MANNER EXCEPT ON ORDER OR WITH PRIOR WRITTEN AUTHORIZATION OF ATI.

DRAWN BY: B. Ash 2/14/2022		TITLE	
CHECKED BY: P. Joseph 06/24/2021		Axia90 Customer Drawing	
SCALE	SIZE	DRAWING NUMBER	REVISION
1:1	B	9630-05-0007	02
PROJECT # 200511-1 SHEET 1 OF 1			