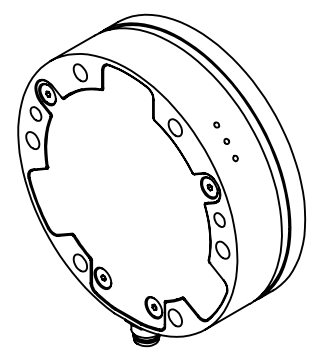
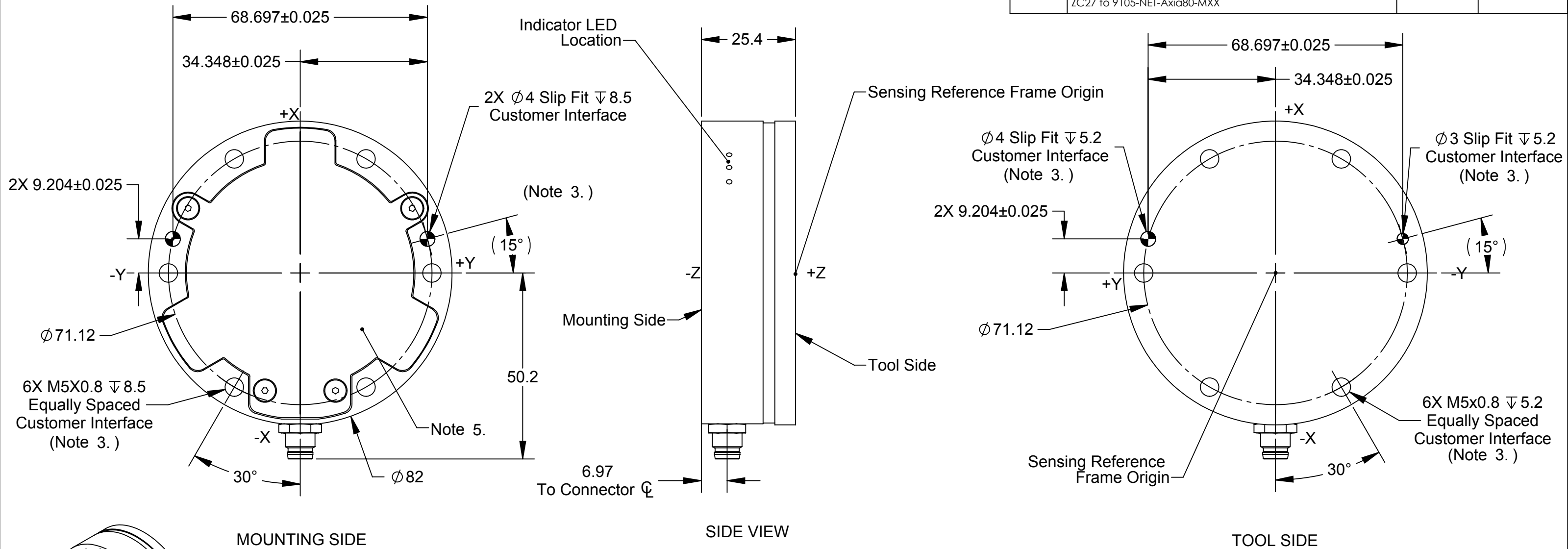


Rev.	Description	Initiator	Date
01	Initial Drawing	TWT	2/7/19
02	Eco 19136; Sheet 2 added footnote number (1) to Axia80-M20*. Sheet 2 added footnotes (1*) Formerly Axia80 and (2) Formerly 9105-NET-Axia80-MXX-ZC22. Sheet 2 removed -ZC22 from "9105-NET-Axia80-MXX" and added footnote (2). Sheet 2 added -ZC27 to 9105-NET-Axia80-MXX	DS	7/10/2020



- Notes:
1. Material: Aluminum and Stainless Steel
 2. Do not touch internal electronics or instrumentation. This could damage transducer and will void the warranty.
 3. Do not exceed interface depth, may cause incorrect readings.
 4. For best accuracy, transducer must be mounted to a surface rigid enough to support loads without deflection
 5. Recessed cover plate surface is not structural. Mount transducer to a flat surface that makes contact around the perimeter.

NOTES: UNLESS OTHERWISE SPECIFIED.
 DO NOT SCALE DRAWING. ALL DIMENSIONS ARE IN MILLIMETERS.

ATI INDUSTRIAL AUTOMATION

1031 Goodworth Drive, Apex, NC 27539, USA
 Tel: +1.919.772.0115 Email: info@ati-ia.com
 Fax: +1.919.772.8259 www.ati-ia.com
 ISO 9001 Registered Company

PROPERTY OF ATI INDUSTRIAL AUTOMATION, INC. NOT TO BE REPRODUCED IN ANY MANNER EXCEPT ON ORDER OR WITH PRIOR WRITTEN AUTHORIZATION OF ATI.

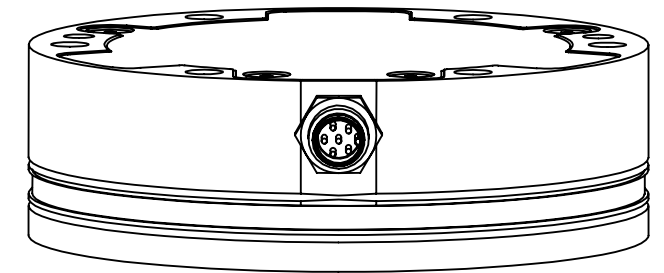
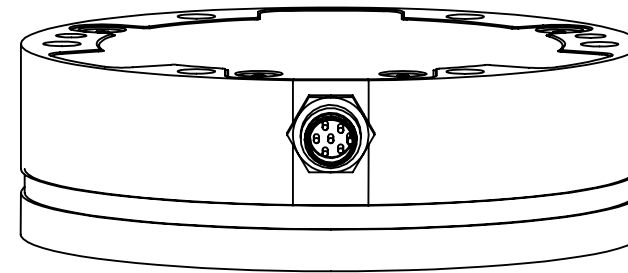
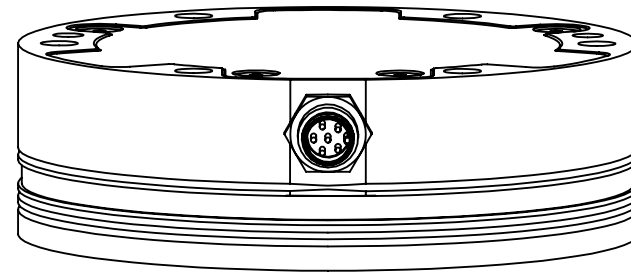
DRAWN BY: T. Thurman 12/9/18
 CHECKED BY: K. Schnatter 2/8/19

PROJECT # 141028-1 SHEET 1 OF 2

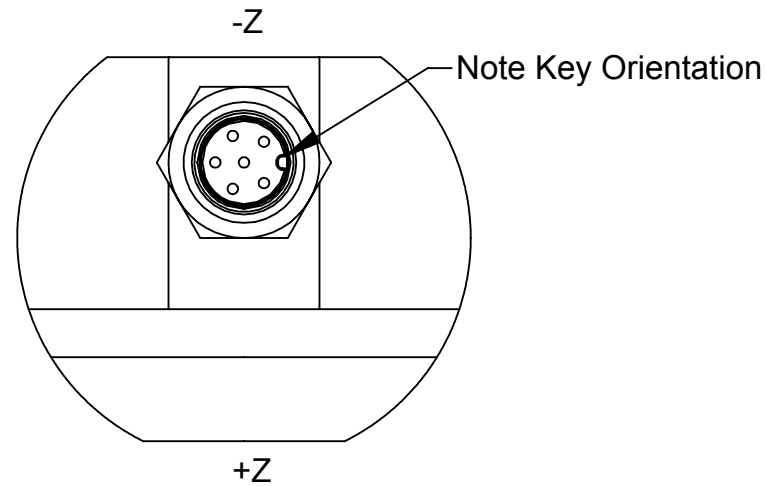
TITLE: Axia80 Force/Torque Sensor Product Family

SCALE: 1:1
 SIZE: B
 DRAWING NUMBER: 9230-05-1543
 REVISION: 02

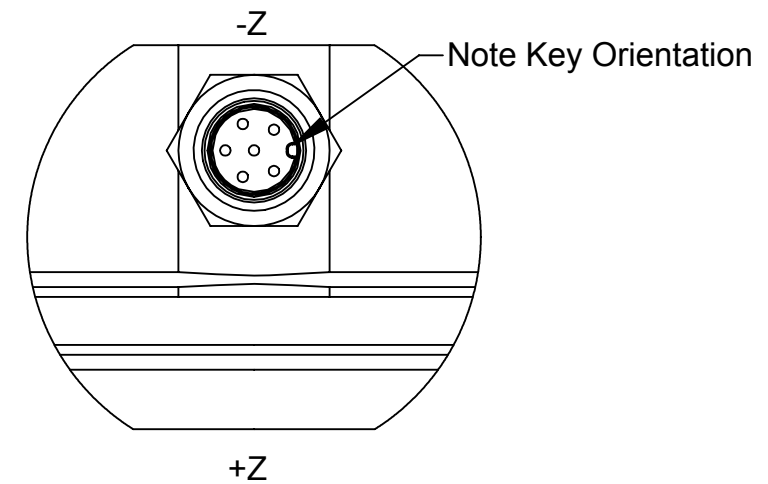
3rd ANGLE PROJECTION



Model	Axia80-M8	Axia80-M20* (1)	Axia80-M50
Body Material	Aluminum	Aluminum	Stainless Steel
Mass	280g	280g	680g
Identifying Marks	Three Grooves	No Grooves	Two Grooves



Connector View
 9105-ECAT-Axia80-MXX
 9105-RS485-Axia80-MXX
 9105-NET-Axia80-MXX (2)



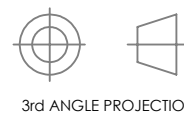
Connector View
 9105-NET-Axia80-MXX-ZC27

(1*) Formerly Axia80

(2) Formerly 9105-NET-Axia80-MXX-ZC22

NOTES: UNLESS OTHERWISE SPECIFIED.

DO NOT SCALE DRAWING. ALL DIMENSIONS ARE IN MILLIMETERS.



3rd ANGLE PROJECTION



1031 Goodworth Drive, Apex, NC 27539, USA
 Tel: +1.919.772.0115 Email: info@ati-ia.com
 Fax: +1.919.772.8259 www.ati-ia.com
 ISO 9001 Registered Company

PROPERTY OF ATI INDUSTRIAL AUTOMATION, INC. NOT TO BE REPRODUCED IN ANY MANNER EXCEPT ON ORDER OR WITH PRIOR WRITTEN AUTHORIZATION OF ATI.

DRAWN BY: T. Thurman 12/9/18		TITLE		
CHECKED BY: K. Schnatter 2/8/19		Axia80 Force/Torque Sensor Product Family		
PROJECT # 141028-1	SHEET 2 OF 2	SCALE 1:2	SIZE B	DRAWING NUMBER 9230-05-1543
				REVISION 02