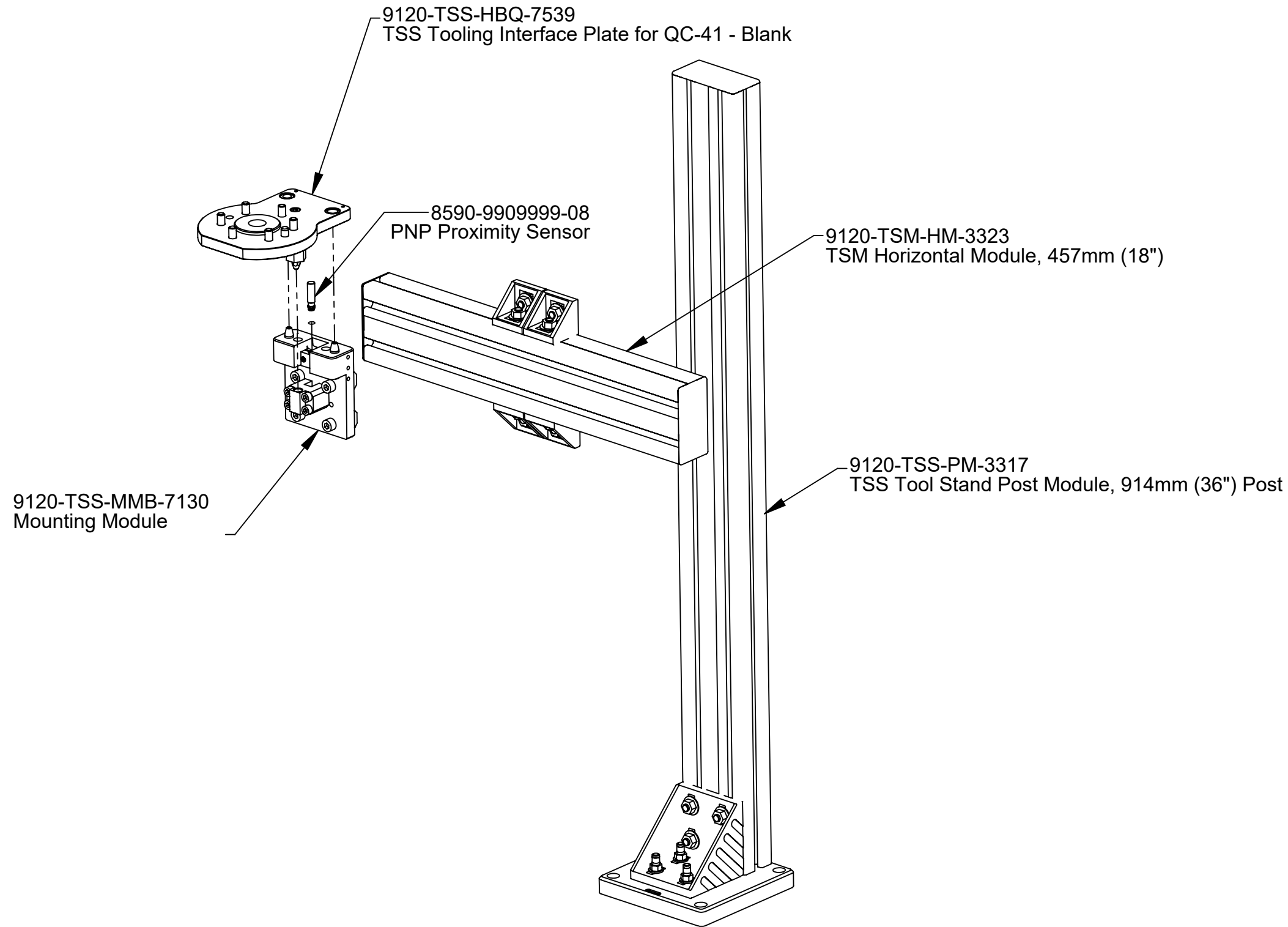


Rev.	Description	Initiator	Date
06	ECO 20593: Updated to reflect added changes in components of 9120-TSS-MMB-7130 and 9120-TSS-HBQ-7539.	REH	01/18/2022

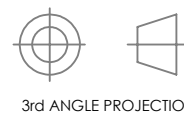


Note

1. Tool Stand will be shipped unassembled and packaged to protect components.

NOTES: UNLESS OTHERWISE SPECIFIED.

DO NOT SCALE DRAWING. ALL DIMENSIONS ARE IN MILLIMETERS.



1031 Goodworth Drive, Apex, NC 27539, USA
 Tel: +1.919.772.0115 www.ati-ia.com
 Fax: +1.919.772.8259 ISO 9001 Registered Company

PROPERTY OF ATI INDUSTRIAL AUTOMATION, INC. NOT TO BE REPRODUCED IN ANY MANNER EXCEPT ON ORDER OR WITH PRIOR WRITTEN AUTHORIZATION OF ATI.

DRAWN BY: D.Brewer, 4/23/12		TITLE	
CHECKED BY: MLG, 5/1/12		TSS Tool Stand for QC-41 with MM and TP	
PROJECT # 120416-1	SHEET 1 OF 1	SCALE 1:20	SIZE B
		DRAWING NUMBER	REVISION
		9630-20-TSS-ASY-7539	06