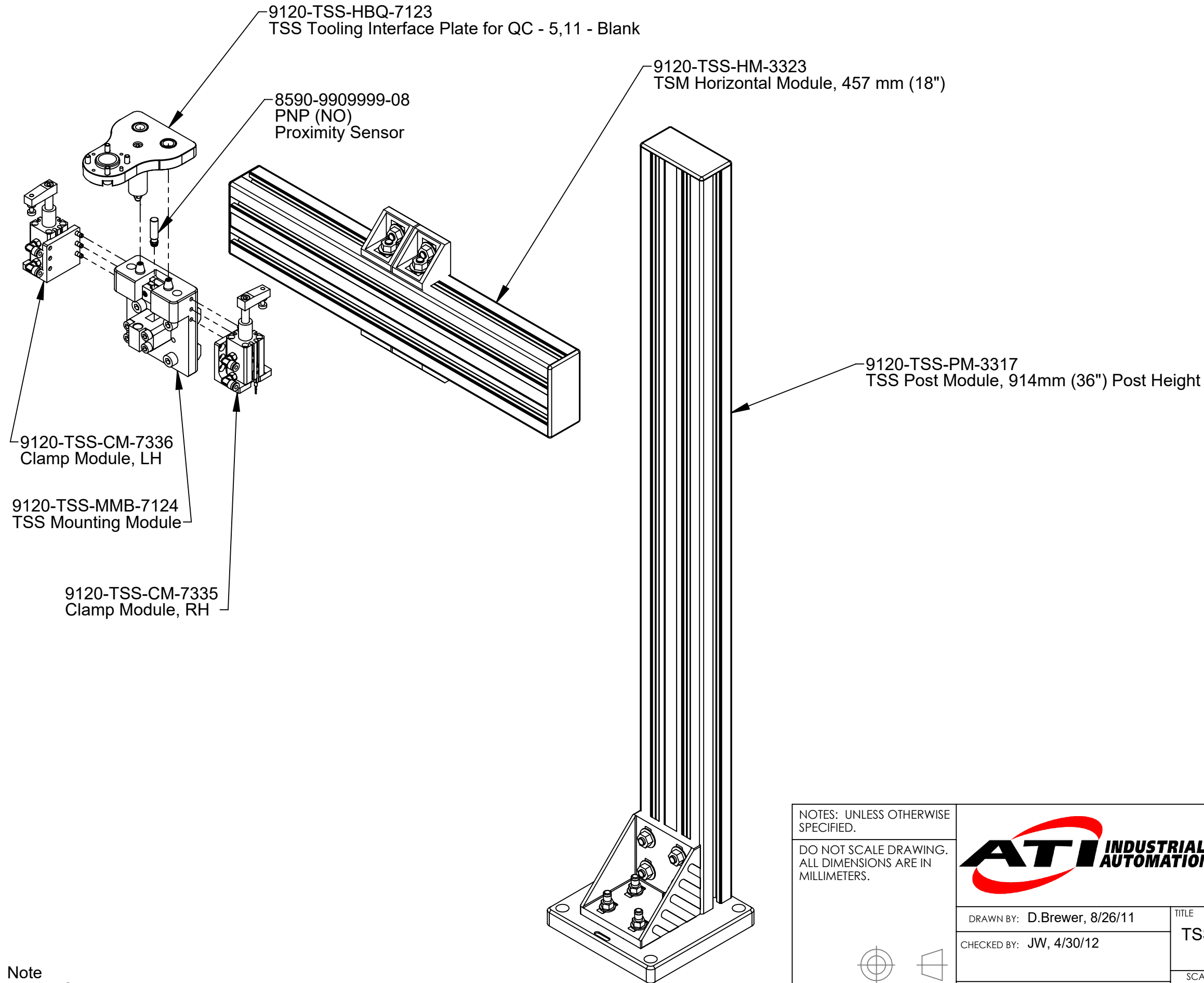


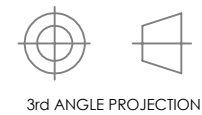
Rev.	Description	Initiator	Date
07	ECO 21182: Updated to reflect changes made to 9120-TSS-HBQ-7123.	BAW	4/18/2023



Note
1. Tool Stand will be shipped unassembled and packaged to protect components.

NOTES: UNLESS OTHERWISE SPECIFIED.

DO NOT SCALE DRAWING. ALL DIMENSIONS ARE IN MILLIMETERS.



		1031 Goodworth Drive, Apex, NC 27539, USA Tel: +1.919.772.0115 Email: info@ati-ia.com Fax: +1.919.772.8259 www.ati-ia.com ISO 9001 Registered Company	
		PROPERTY OF ATI INDUSTRIAL AUTOMATION, INC. NOT TO BE REPRODUCED IN ANY MANNER EXCEPT ON ORDER OR WITH PRIOR WRITTEN AUTHORIZATION OF ATI.	
DRAWN BY: D.Brewer, 8/26/11 CHECKED BY: JW, 4/30/12		TITLE TSS QC-5,11 Tool Stand - MM, TP and Clamp Modules	
PROJECT # 110516-1 SHEET 1 OF 1	SCALE 1:4	SIZE B	DRAWING NUMBER 9630-20-TSS-ASY-7123
			REVISION 07