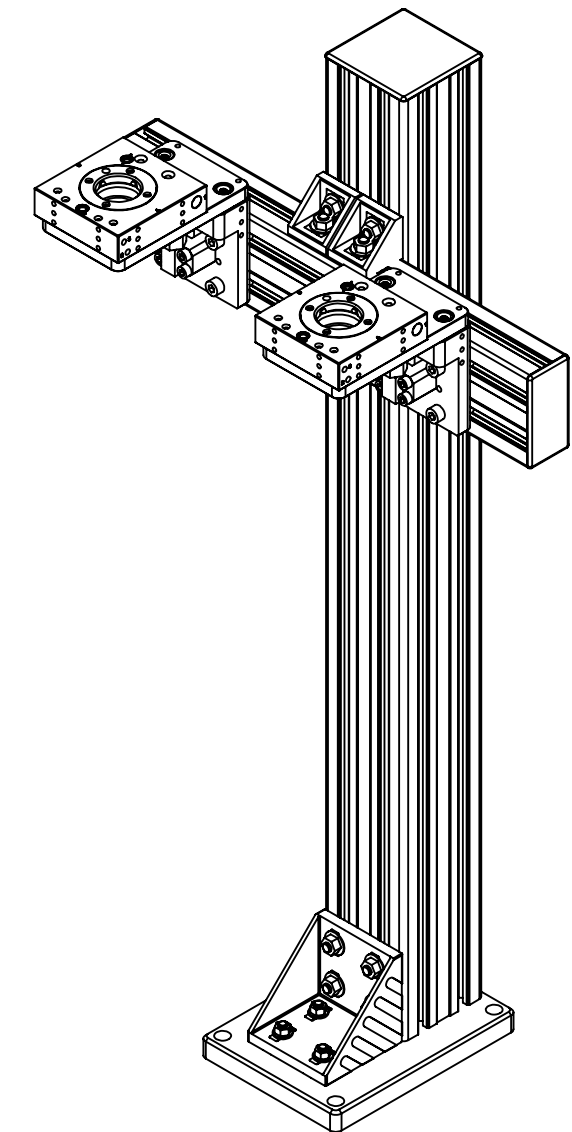
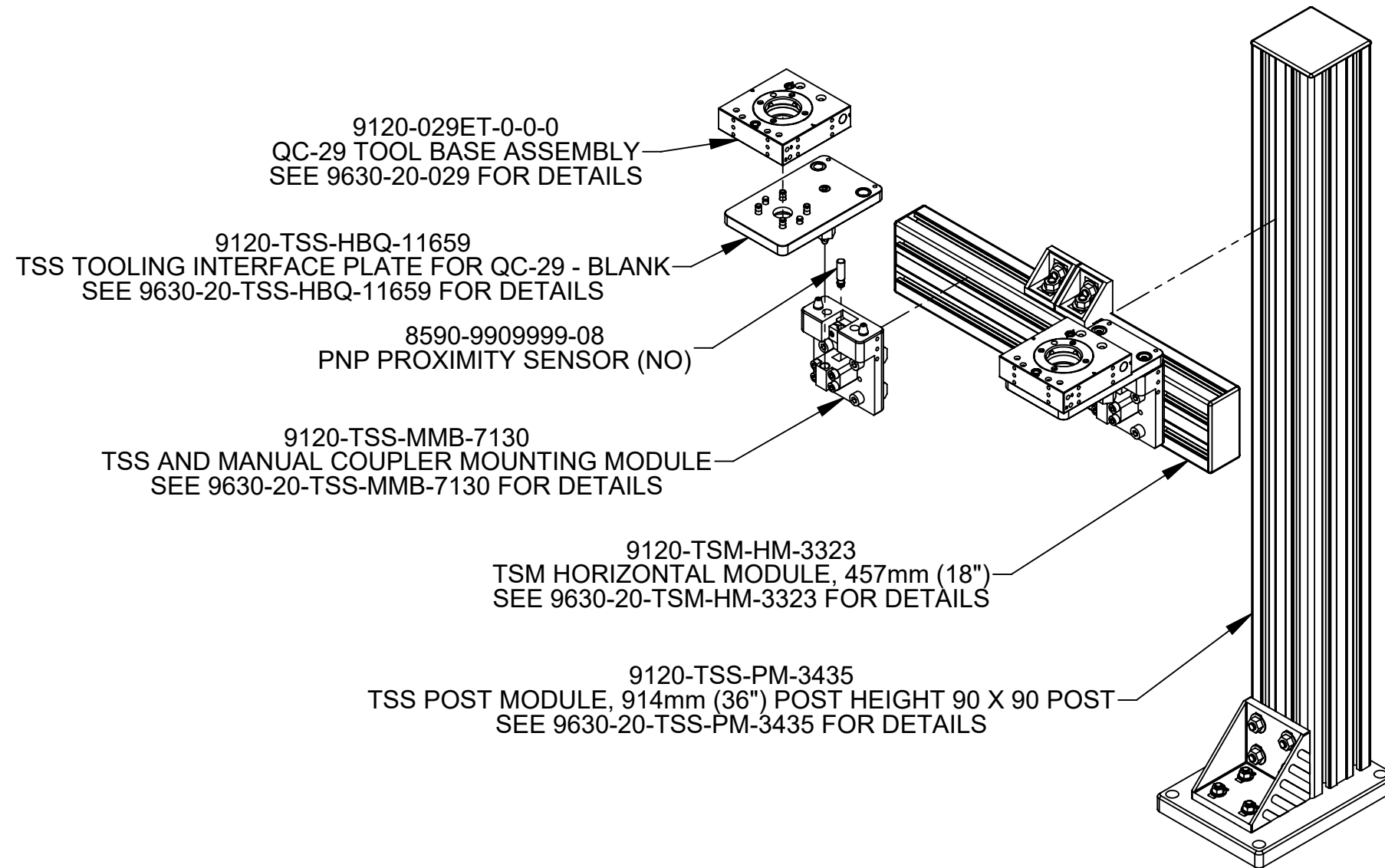


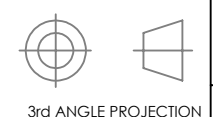
| REV. | DESCRIPTION | INITIATOR | DATE |
|------|-----------------|-----------|-----------|
| 01 | INITIAL DRAWING | MJG | 1/31/2022 |



- NOTES:**
1. TOOL CHANGER, TOOL STAND SUB-ASSEMBLIES, AND TOOL STAND SENSORS ARE ORDERED AND PACKAGED SEPARATELY. CUSTOMER ASSEMBLY REQUIRED.
 2. EXTRUSIONS AVAILABLE IN OTHER LENGTHS, CONTACT ATI FOR DETAILS.
 3. TOOL STAND SENSORS AVAILABLE IN PNP AND NPN, CONTACT ATI FOR DETAILS.
 4. OTHER TOOL STAND SOLUTIONS AVAILABLE, CONTACT ATI FOR DETAILS.

NOTES: UNLESS OTHERWISE SPECIFIED.

DO NOT SCALE DRAWING. ALL DIMENSIONS ARE IN MILLIMETERS.



1031 Goodworth Drive, Apex, NC 27539, USA
 Tel: +1.919.772.0115 www.ati-ia.com
 Fax: +1.919.772.8259 ISO 9001 Registered Company

PROPERTY OF ATI INDUSTRIAL AUTOMATION, INC. NOT TO BE REPRODUCED IN ANY MANNER EXCEPT ON ORDER OR WITH PRIOR WRITTEN AUTHORIZATION OF ATI.

| | | | |
|------------------------------|--------------|---|--------------------------------------|
| DRAWN BY: M. GALA 12/16/21 | | TITLE | |
| CHECKED BY: D. THOMAS 1/7/22 | | TSS TOOL STAND FOR QC-29, EXAMPLE ARRANGEMENT | |
| PROJECT # 210421-1 | SHEET 1 OF 1 | SCALE 1:6 | REVISION 01 |
| | | SIZE B | DRAWING NUMBER 9630-20-TSS-ASY-11659 |