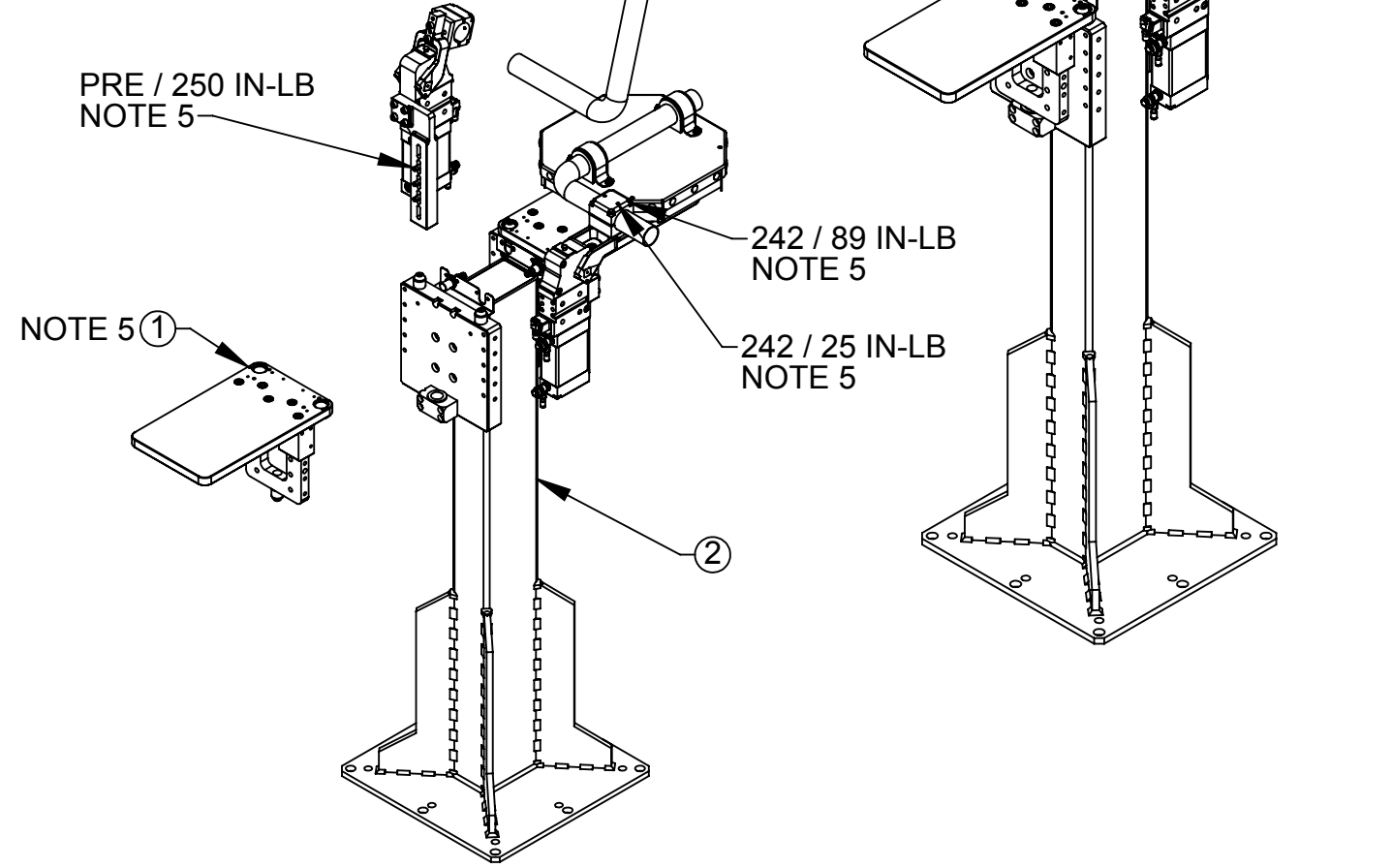
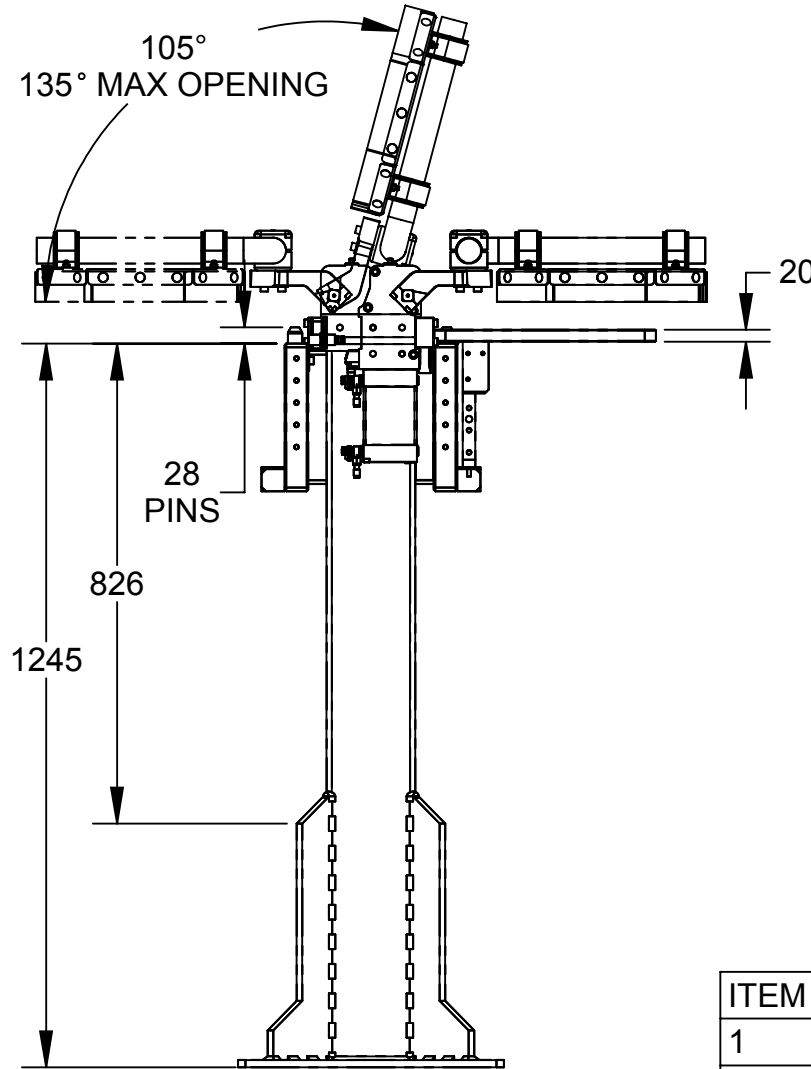
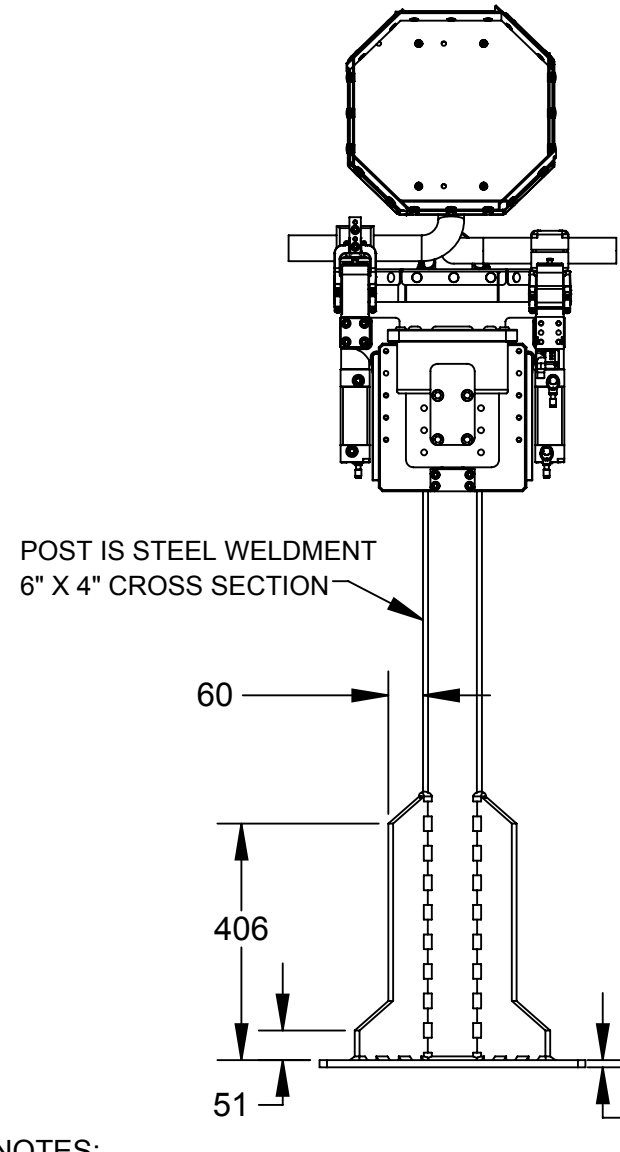
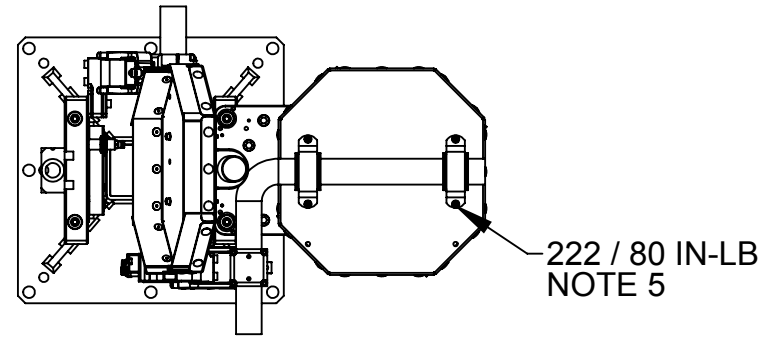
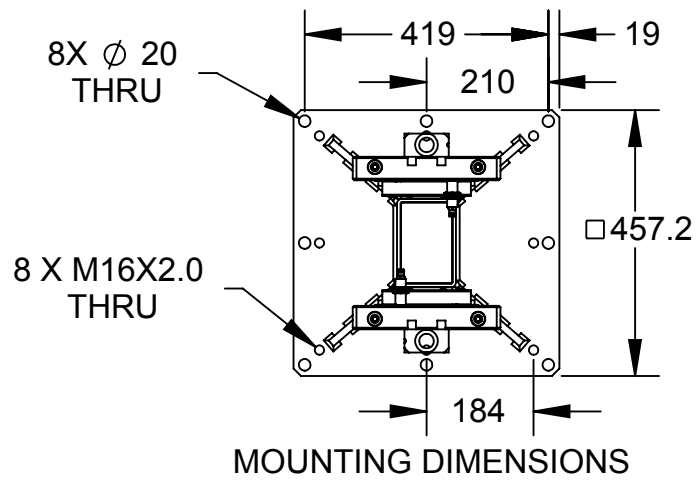


Rev.	Description	Initiator	Date
01	INITIAL DRAWING	TGD	06/05/2019



NOTES:

1. DRY FASTENERS INSTALLED HAND TIGHT FOR SHIPMENT. CUSTOMER TO SET FINAL PLACEMENT AND SECURE WITH SUGGESTED LOCTITE OR SIMILAR THREADLOCKER AND TORQUE TO RECOMMENDED TORQUE VALUE.
2. TOOL STAND ASSEMBLY SHIPPED UNASSEMBLED. DEBRIS SHIELDS, DEBRIS SHIELD ARMS AND DEBRIS SHIELD ACTUATORS SHIPPED LOOSE. CUSTOMER TO SET FINAL PLACEMENT AND SECURE WITH SUGGESTED LOCTITE OR SIMILAR THREADLOCKER AND TORQUE TO RECOMMENDED TORQUE VALUE.
3. CUSTOMER TO PROVIDED EOAT DOWELS & FASTENERS.
4. POST WELDMENT COLOR WHITE (RAL 9003)
5. TOOLING INTERFACE PLATES ORDERED SEPARATELY

ITEM NO.	QTY.	PART NUMBER	DESCRIPTION
1	2	9120-TSL-HBB-4115	TSL TOOLING INTERFACE PLATE - BLANK
2	1	9120-TSL-ASY-7835	TSL DUAL STAND - SMA, ADJUSTABLE DSA, DS - 48" HIGH

NOTES: UNLESS OTHERWISE SPECIFIED.

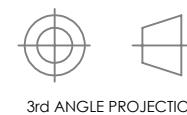
DO NOT SCALE DRAWING. ALL DIMENSIONS ARE IN MILLIMETERS.



1031 Goodworth Drive, Apex, NC 27539, USA
 Tel: +1.919.772.0115 Email: info@ati-ia.com
 Fax: +1.919.772.8259 www.ati-ia.com
 ISO 9001 Registered Company

PROPERTY OF ATI INDUSTRIAL AUTOMATION, INC. NOT TO BE REPRODUCED IN ANY MANNER EXCEPT ON ORDER OR WITH PRIOR WRITTEN AUTHORIZATION OF ATI.

DRAWN BY: T. Delp, 6/5/2019		TITLE	
CHECKED BY: J. Winterroth, 7/12/19		TSL Dual Stand - SMA, Adjustable DSA, DS - 48" High	
SCALE	SIZE	DRAWING NUMBER	REVISION
1:13	B	9630-20-TSL-ASY-7835	01



PROJECT # 190528-1 SHEET 1 OF 1