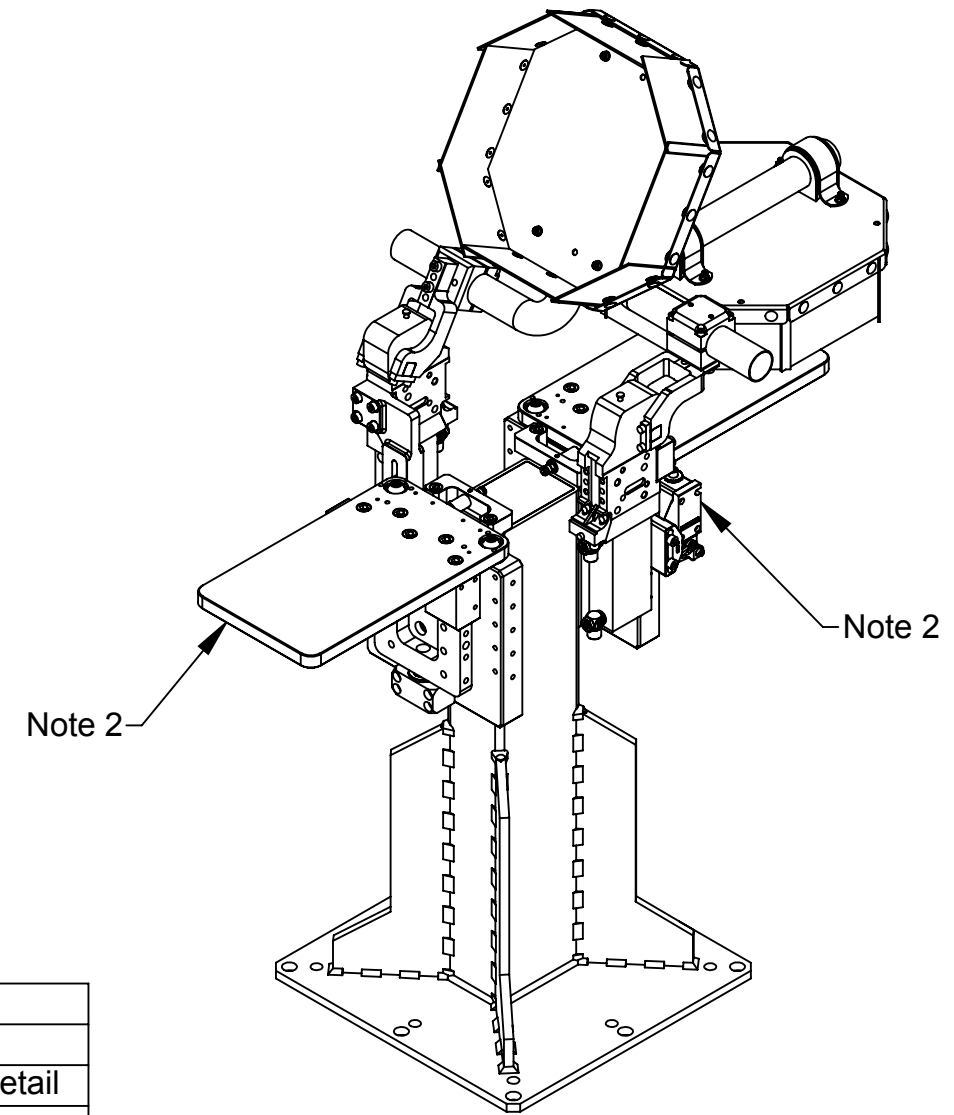
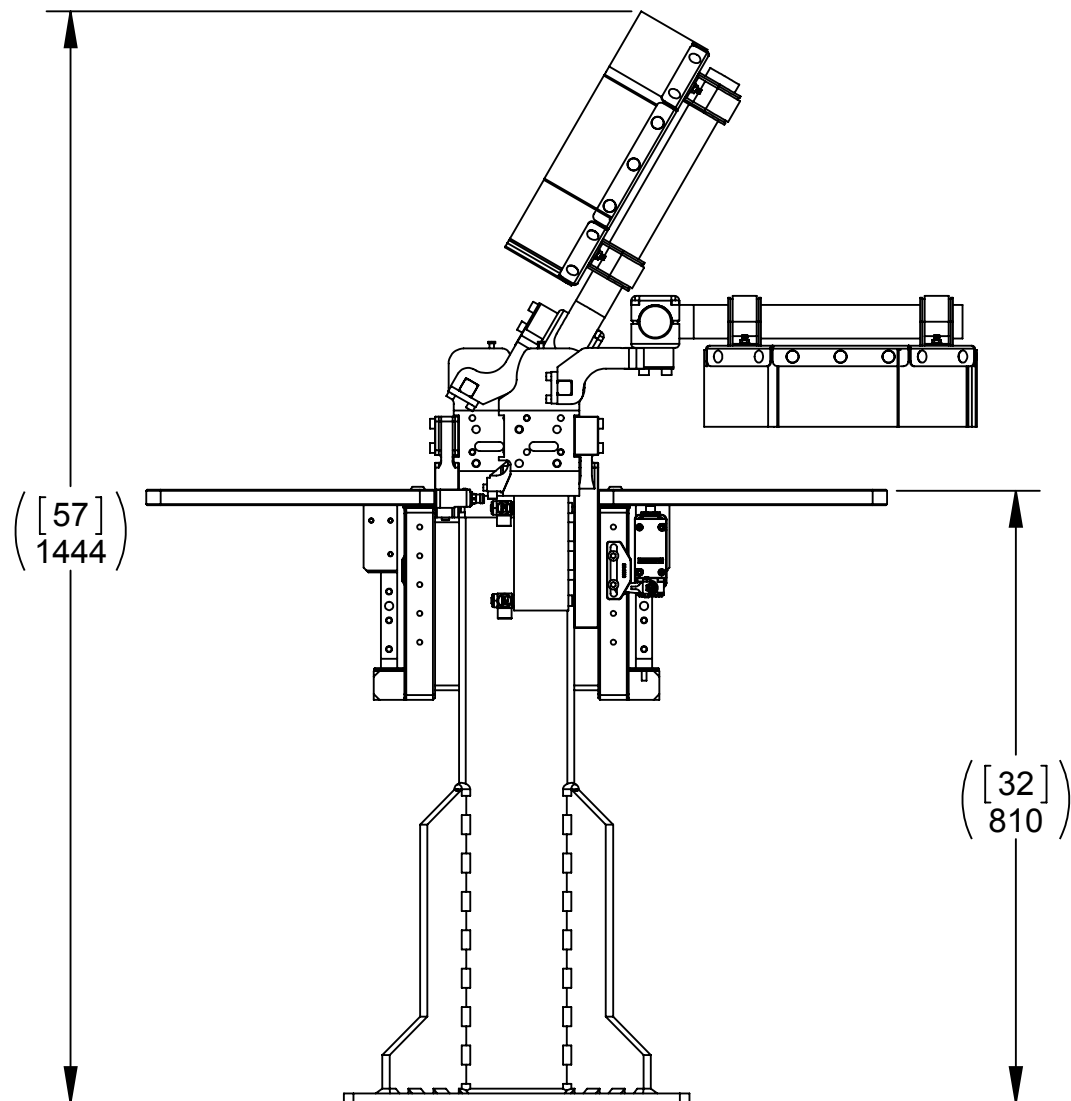
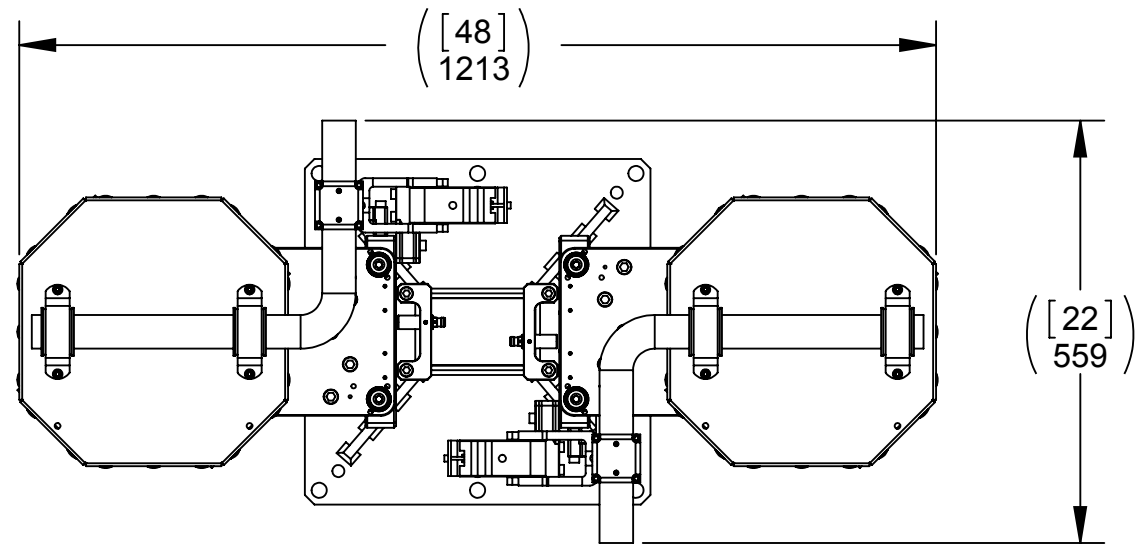


Rev.	Description	Initiator	Date
01	Initial Drawing	DSS	01/16/2014
02	ECO 13945: Replaced 9120-TSL-DS-14-F4592 with 9120-TSL-DS-14-W3337. Replaced 9120-TSL-TP-4104 with 9120-TSL-HBB 4115. Rebuild model errors.	DJB	11/4/15



Sheet	Description
1	General View of Tool Stand
2	Final Assembly and Dimensional Detail
3	9120-TSL-TP-4115 Details

ITEM NO.	QTY.	PART NUMBER	DESCRIPTION
1	1	9120-TSL-ASY-7677	TSL Dual Stand - Dual R000, SMA, SS - 30" High
2	2	3700-20-3376	Tool Stand Shield Arm
3	2	9120-TSL-DS-14-W3337	TSL Debris Shield, 14" Wide, Weld Curtain
4	2	9120-TSL-DSA-120-7511	Shield Actuator, 120° Swing

NOTES: UNLESS OTHERWISE SPECIFIED.

DO NOT SCALE DRAWING. ALL DIMENSIONS ARE IN MILLIMETERS.



1031 Goodworth Drive, Apex, NC 27539, USA  
 Tel: +1.919.772.0115 Email: info@ati-ia.com  
 Fax: +1.919.772.8259 www.ati-ia.com  
 ISO 9001 Registered Company

PROPERTY OF ATI INDUSTRIAL AUTOMATION, INC. NOT TO BE REPRODUCED IN ANY MANNER EXCEPT ON ORDER OR WITH PRIOR WRITTEN AUTHORIZATION OF ATI.

**Assembly Notes:**

- Customer to supply I/O block for sensors.
- TSL Tooling Interface Brackets and Interlock Switches ordered and shipped separately.

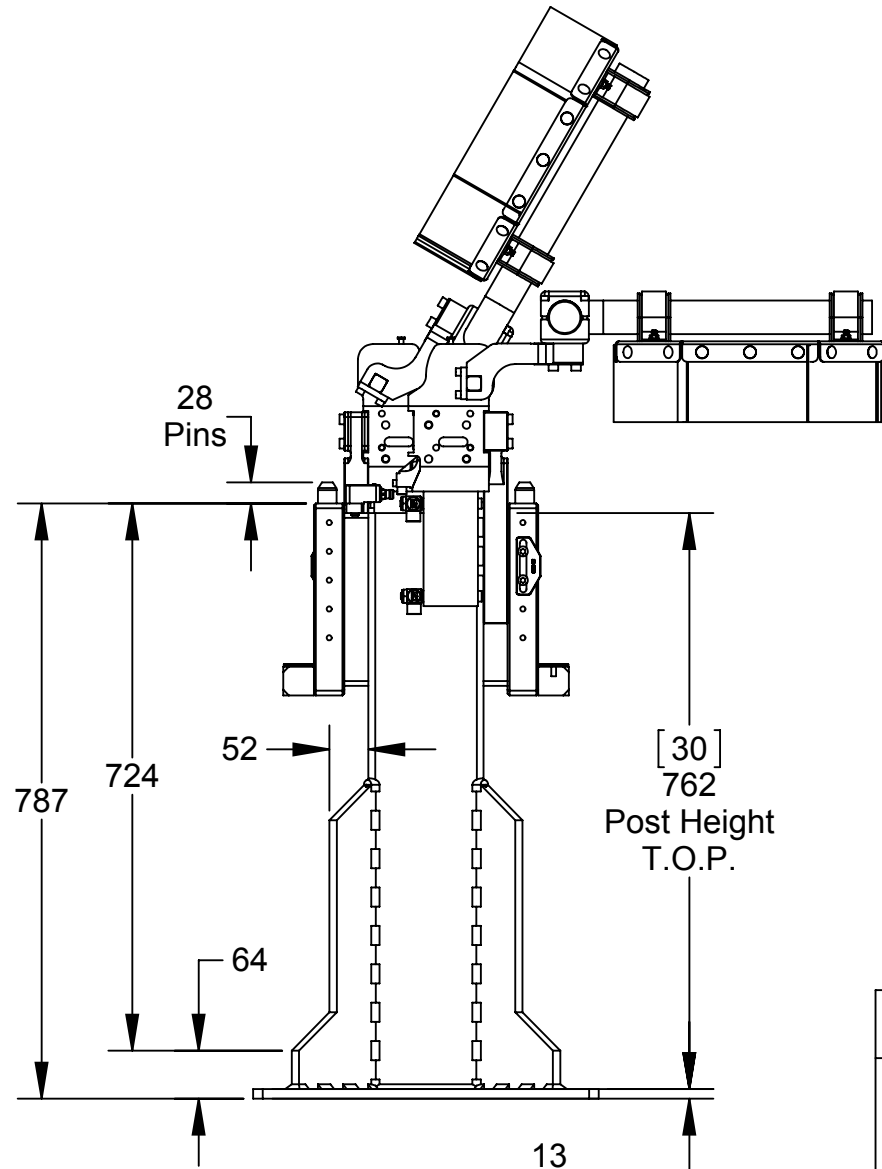
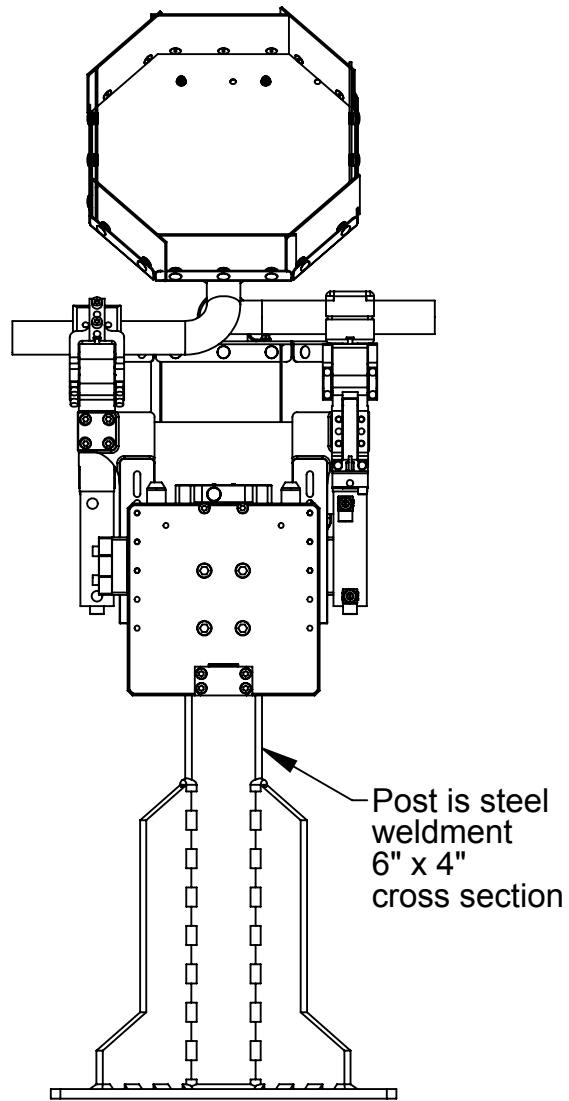
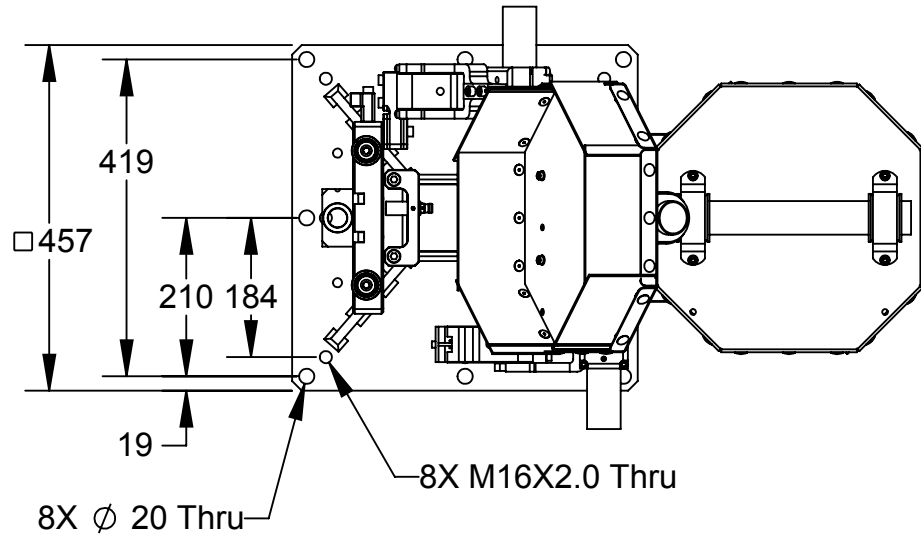


3rd ANGLE PROJECTION

DRAWN BY: D. Swanson 1/16/14		TITLE	
CHECKED BY: J. Winterroth 1/16/14		9120-TSL-ASY-7677 w/ Debris Shield - Customer Drawing	
PROJECT #	SHEET 1 OF 3	SCALE	SIZE
		1:10	B
		DRAWING NUMBER	REVISION
		9230-20-7704	02

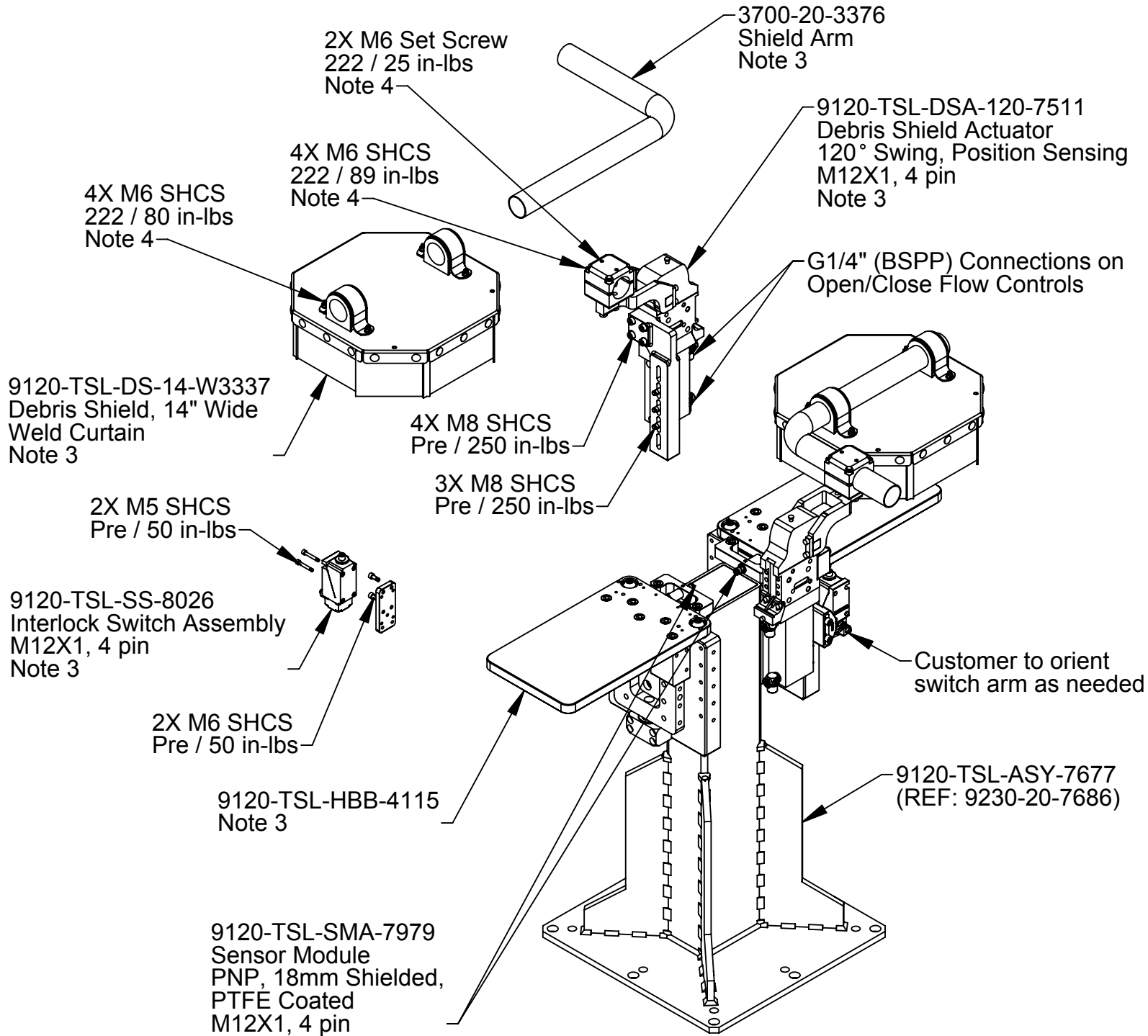
Rev.	Description	Initiator	Date
-	See Sheet1	-	-

**Base Mounting Dimensions**



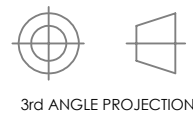
**Assembly Notes:**

- Interface Bracket, Interlock Switch, Debris Shield Actuator, Debris Shield and Shield Arm are shipped loose. To be installed by customer.
- Dry fasteners installed hand tight on Tool Stand for shipment. Customer to set final placement and secure with suggested Loctite or similar threadlocker and torque to recommended torque value.



NOTES: UNLESS OTHERWISE SPECIFIED.

DO NOT SCALE DRAWING. ALL DIMENSIONS ARE IN MILLIMETERS.

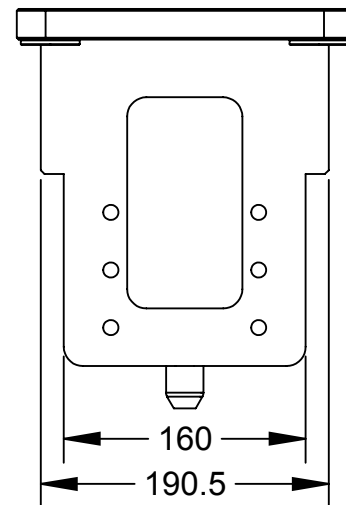
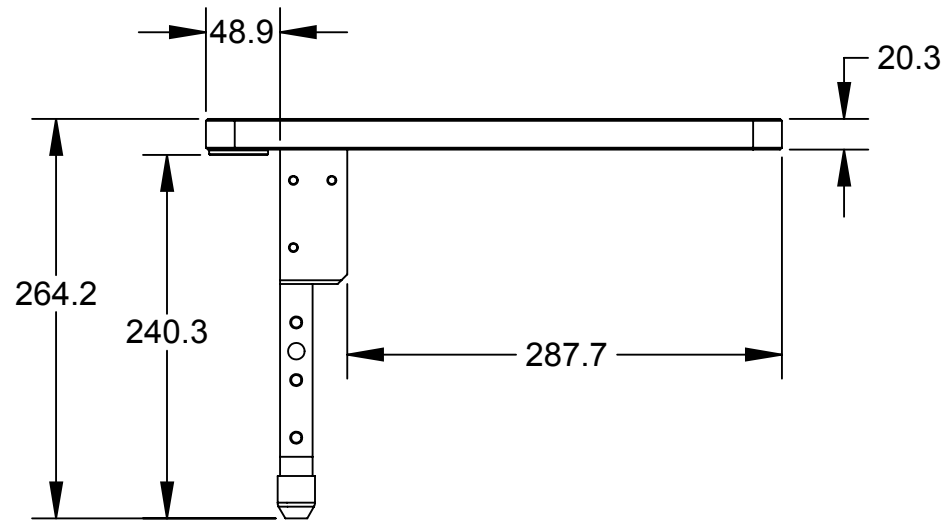
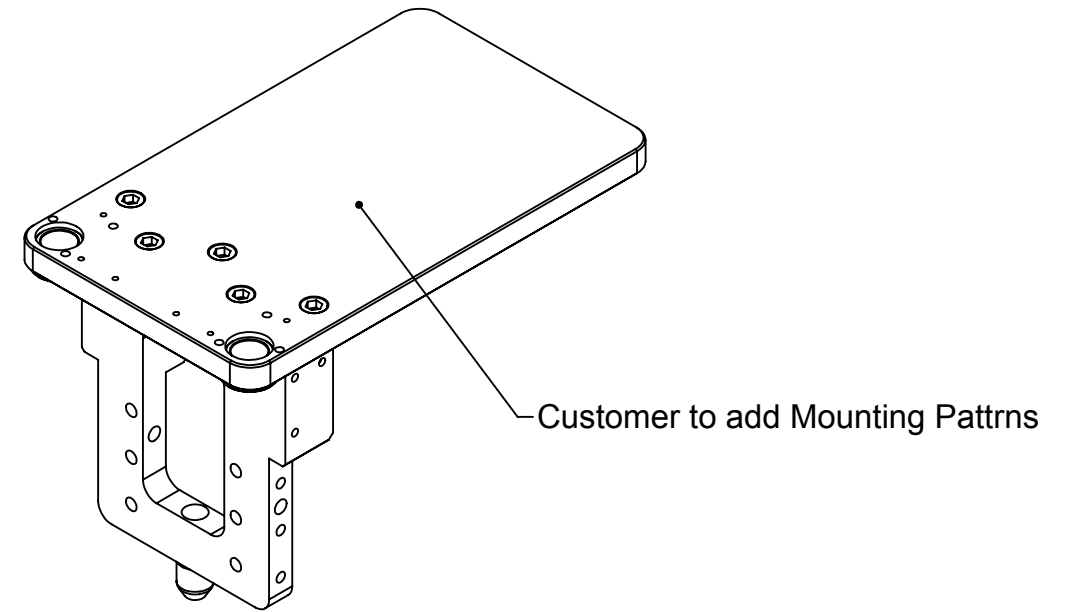
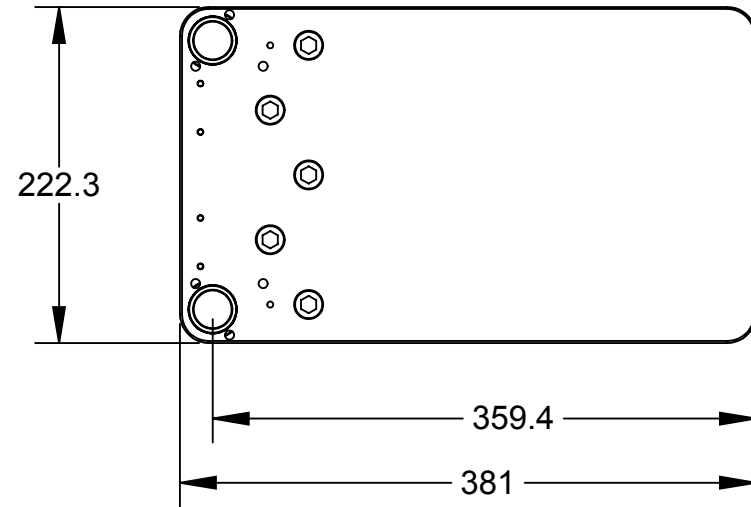


1031 Goodworth Drive, Apex, NC 27539, USA  
 Tel: +1.919.772.0115 Email: info@ati-ia.com  
 Fax: +1.919.772.8259 www.ati-ia.com  
 ISO 9001 Registered Company

PROPERTY OF ATI INDUSTRIAL AUTOMATION, INC. NOT TO BE REPRODUCED IN ANY MANNER EXCEPT ON ORDER OR WITH PRIOR WRITTEN AUTHORIZATION OF ATI.

DRAWN BY: D. Swanson 1/16/14		TITLE	
CHECKED BY: J. Winterroth 1/16/14		9120-TSL-ASY-7677 w/ Debris Shield - Customer Drawing	
PROJECT #	SHEET 2 OF 3	SCALE	SIZE
		1:10	B
		DRAWING NUMBER	REVISION
		9230-20-7704	02

Rev.	Description	Initiator	Date
-	See Sheet1	-	-



**Customer Notes:**

5. Interface Bracket are shipped loose, to be installed by customer.
6. Blank Interface Bracket - Customer to machine.
7. Plate Material: 6061-T6 Softcoat Black Anodized.

NOTES: UNLESS OTHERWISE SPECIFIED.

DO NOT SCALE DRAWING. ALL DIMENSIONS ARE IN MILLIMETERS.



3rd ANGLE PROJECTION



1031 Goodworth Drive, Apex, NC 27539, USA  
 Tel: +1.919.772.0115 Email: info@ati-ia.com  
 Fax: +1.919.772.8259 www.ati-ia.com  
 ISO 9001 Registered Company

PROPERTY OF ATI INDUSTRIAL AUTOMATION, INC. NOT TO BE REPRODUCED IN ANY MANNER EXCEPT ON ORDER OR WITH PRIOR WRITTEN AUTHORIZATION OF ATI.

DRAWN BY: D. Swanson 1/16/14		TITLE	
CHECKED BY: J. Winterroth 1/16/14		9120-TSL-ASY-7677 w/ Debris Shield - Customer Drawing	
PROJECT #	SHEET 3 OF 3	SCALE	REVISION
		1:10	02
SIZE	DRAWING NUMBER		
B	9230-20-7704		