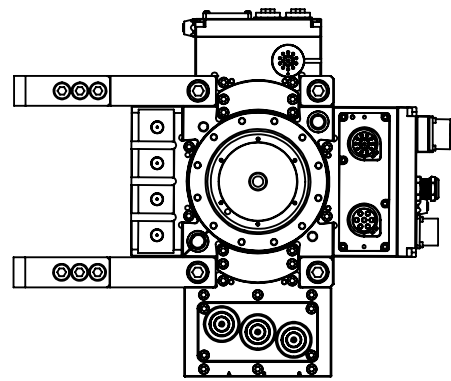
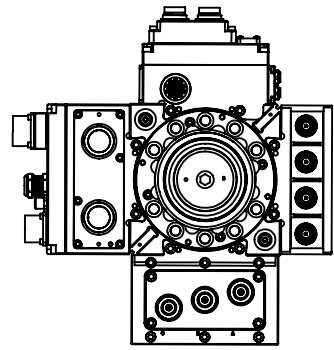


Rev.	Description	Initiator	Date
01	Added 9120-TSL-DSA-135-7475 & updated drawing notes.	JMW	2/26/2013
02	Eco 13945: Added note to tighten M10 fasteners. Updated part numbers for Debris Shield and Debris Shield Actuator	LCS	11/13/2015



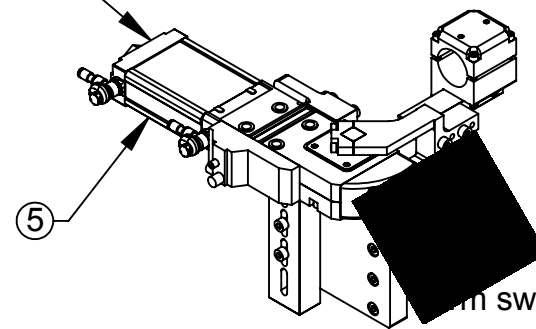
QC-210 Tool
(With NA2/NA3 Hooks)



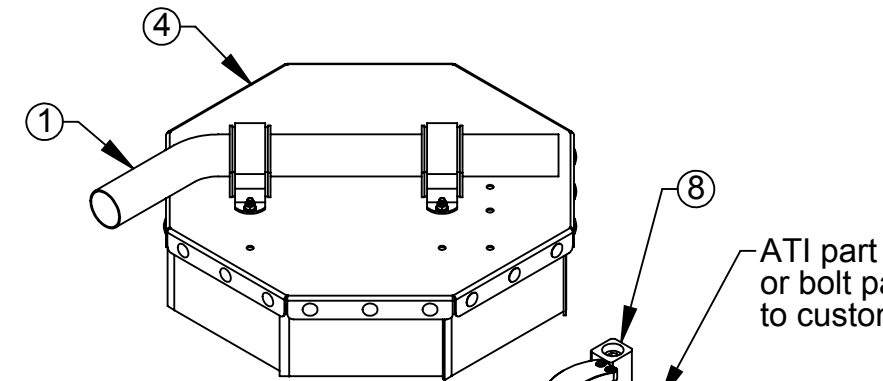
QC-210 Master

Reference Tool Changer standard drawing for servo or servo/MH combo.

SMC Powerclamp
#CKZT50TN-135T-A015CS
-Air - 1/4" NPT x 1/4" Tube - QTY 2
- Sensor - 4 pin M12



Swing swings 135°



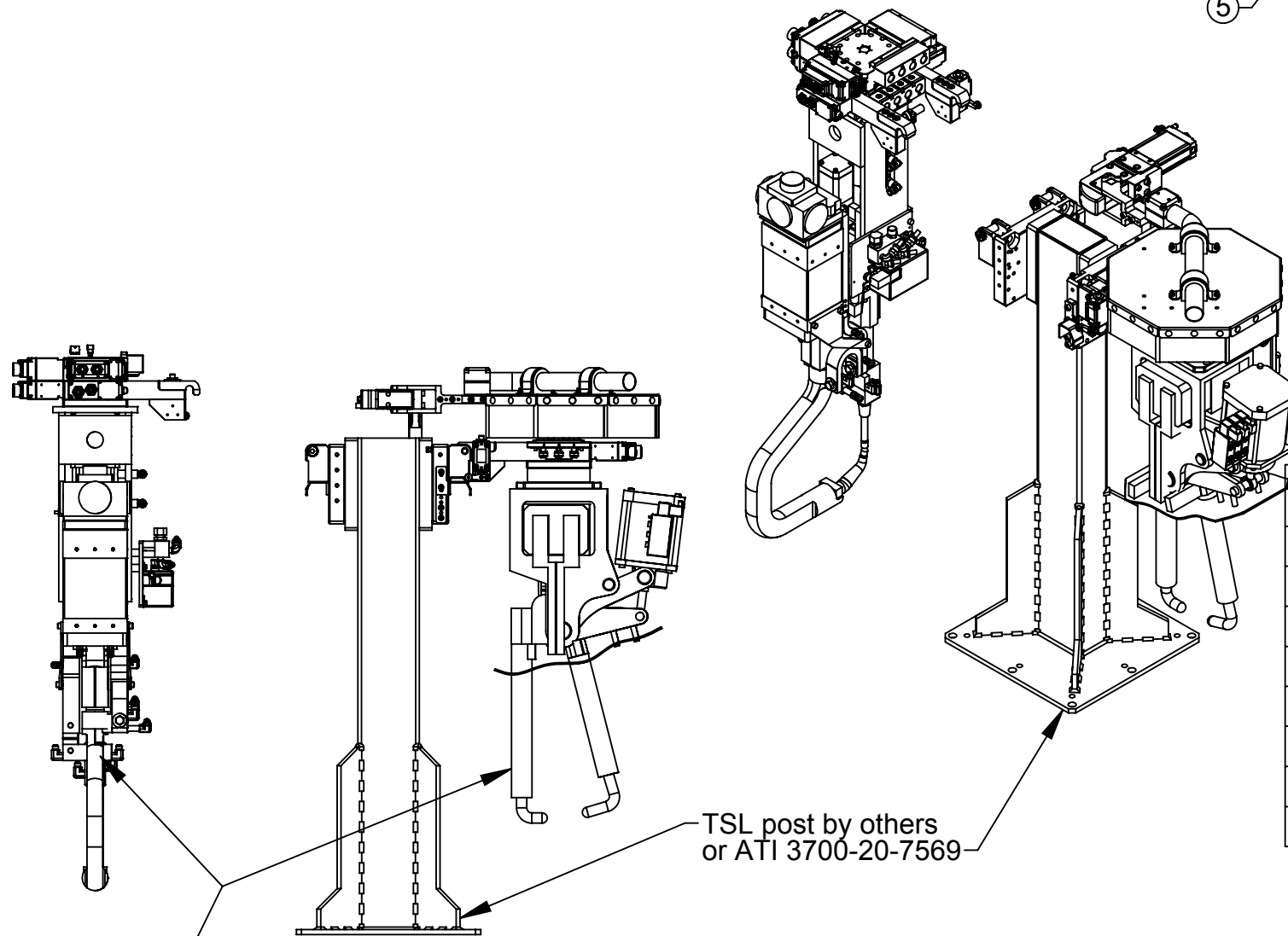
ATI part 9121-TSL-TP-6754 or bolt pattern can be added to customer tooling.

NA2/3 Hook Arms are ordered and shipped with QC-210 assembly.

6X M10 SHCS Included Tighten to 38 ft-lbs

6 Euchner TSI - 4 pin M12 (to DB IO Module)

Tool Nest Sensor - IMF Effector # IGW200 - 4 pin M12



TSL post by others or ATI 3700-20-7569

Weld guns by others

ITEM NO.	QTY	PART NUMBER	DESCRIPTION
1	1	3700-20-3527	Tool Stand Shield Arm
2	2	8590-9909999-92	Effector Prox #IGW200 18mm Barrel 12mm Range, Shielded
3	2	9120-TSL-CMH-R000	TSL Hanger Module, Rigid
4	1	9120-TSL-DS-17-W3528	TSL Debris Shield, 17" Wide, Weld Curtain
5	1	9120-TSL-DSA-135-7475	TSL Debris Shield Actuator - Dual Post - Horizontal - 135°
6	2	9120-TSL-SS-5635	TSL TSI Switch Assembly for Tool Hooks
7	2	9121-NA2-T	210 Tool Hook Module, Right
8	2	9121-NA3-T	210 Tool Hook Module, Left

NOTES: UNLESS OTHERWISE SPECIFIED.

DO NOT SCALE DRAWING. ALL DIMENSIONS ARE IN MILLIMETERS.



3rd ANGLE PROJECTION



1031 Goodworth Drive, Apex, NC 27539, USA
Tel: +1.919.772.0115 Email: info@ati-ia.com
Fax: +1.919.772.8259 www.ati-ia.com
ISO 9001 Registered Company

PROPERTY OF ATI INDUSTRIAL AUTOMATION, INC. NOT TO BE REPRODUCED IN ANY MANNER EXCEPT ON ORDER OR WITH PRIOR WRITTEN AUTHORIZATION OF ATI.

Notes:

- Customer to supply two independant valves per actuator for actuator control.
- Customer to supply interbus I/O module for actuators, sensor & valve control.

DRAWN BY: J. Winterroth 7/05/12

CHECKED BY: D. Swanson, 8/06/12

TITLE

TSL Hook Arrangement for QC-210

PROJECT # - SHEET 1 OF 1

SCALE 1:8

SIZE B

DRAWING NUMBER 9230-20-7543

REVISION 02