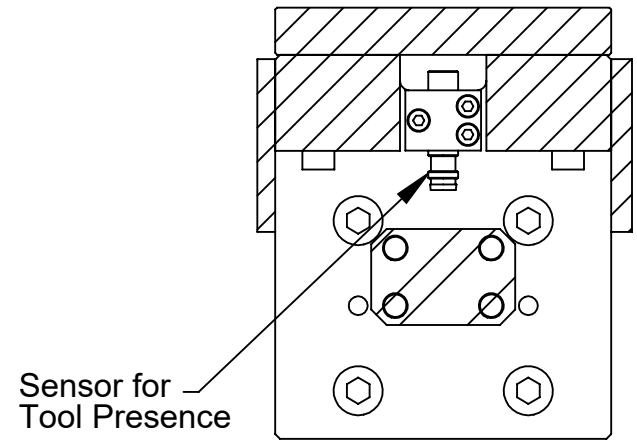
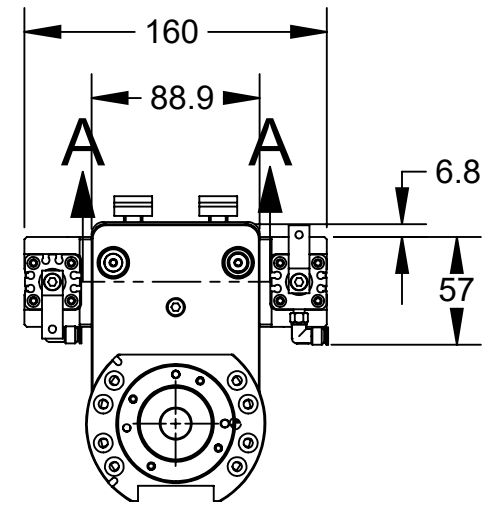
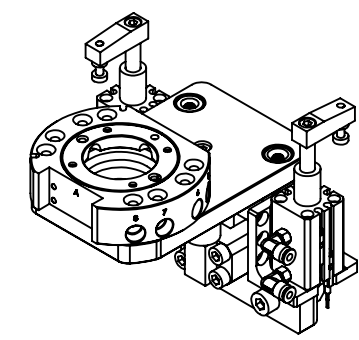


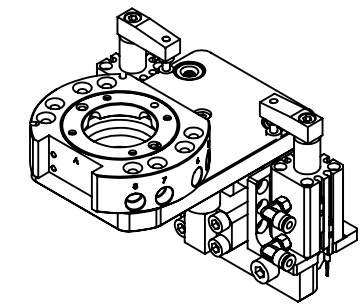
Rev.	Description	Initiator	Date
14	ECO 21182: Updated to reflect changes made to 9120-TSS-HBQ-7392.	BAW	4/18/2023



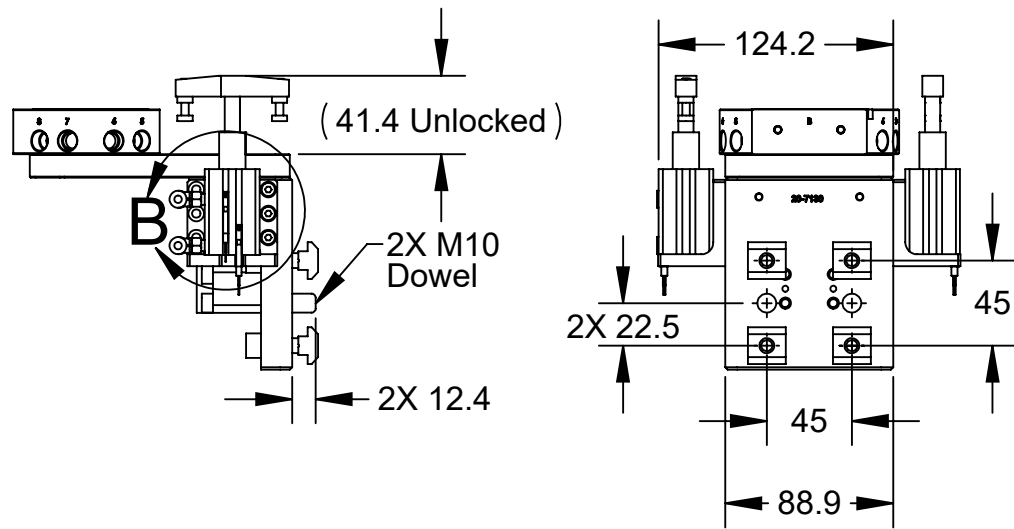
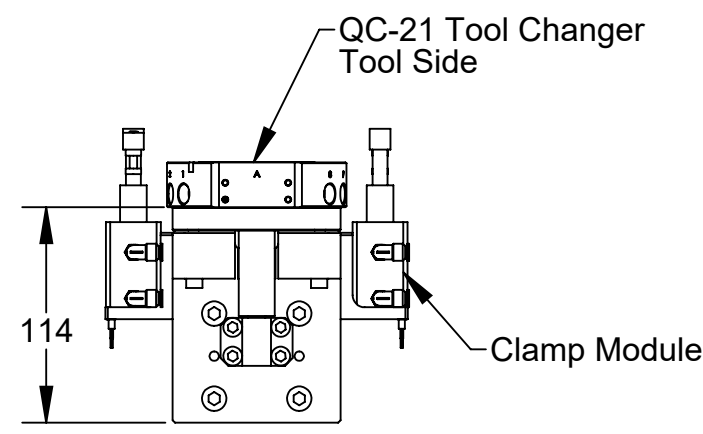
SECTION A-A
SCALE 1 : 2



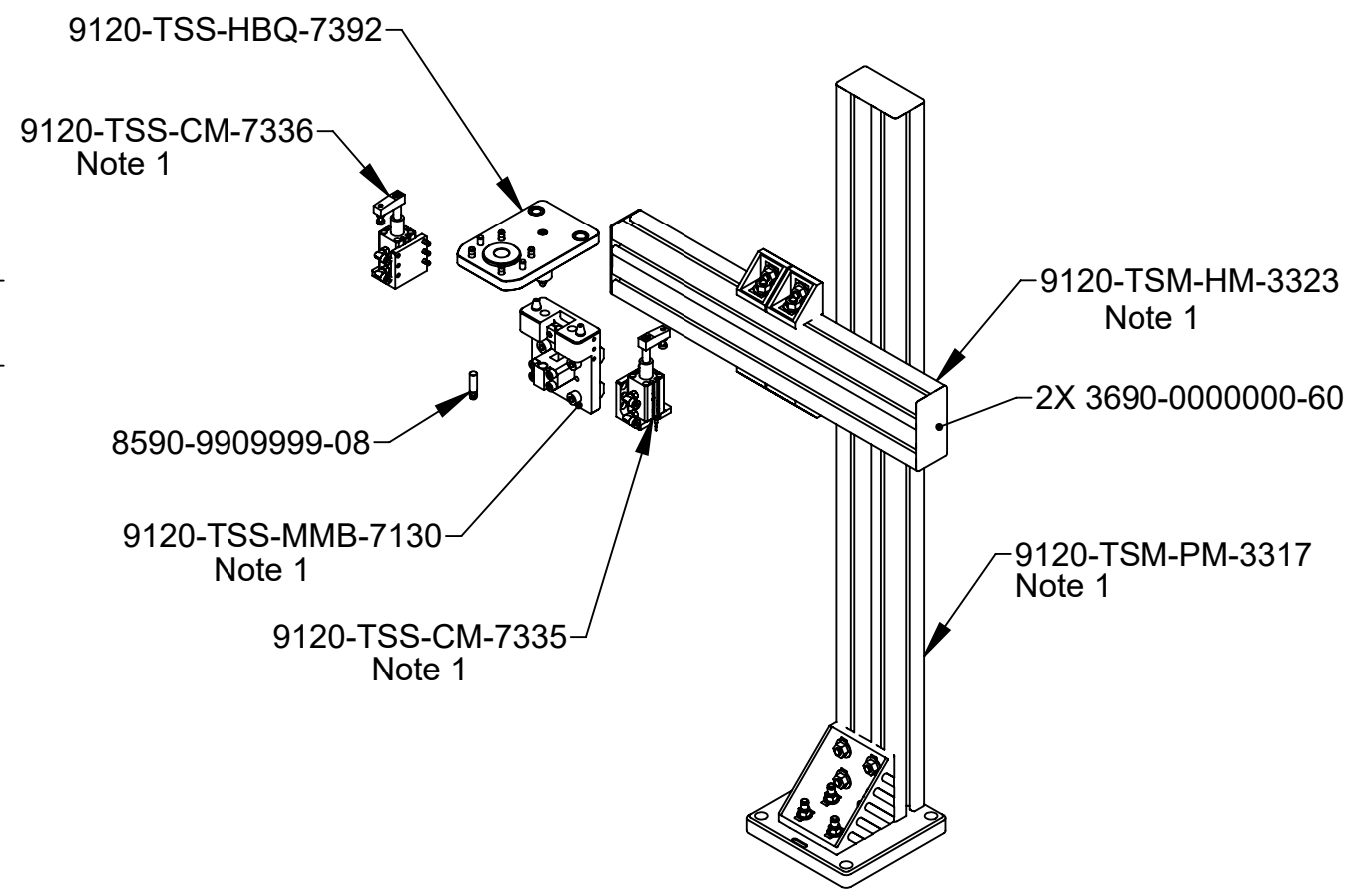
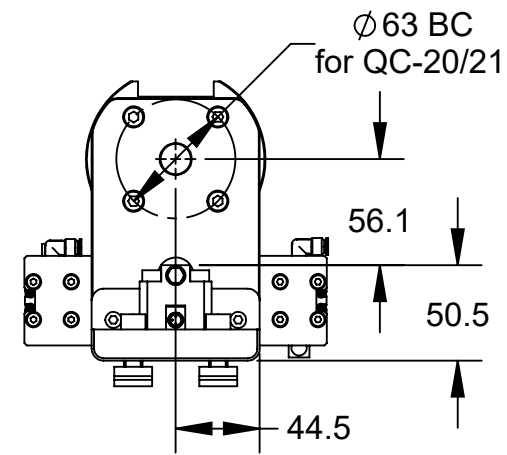
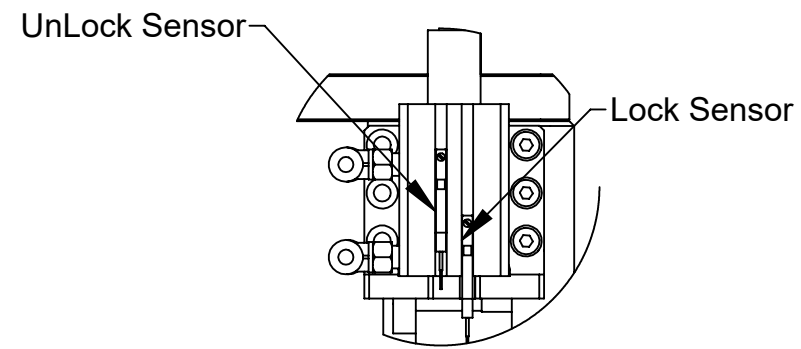
Clamps UnLocked



Clamps Locked



DETAIL B
SCALE 1 : 2



Note
1. Tool Stand will be shipped unassembled and packaged to protect components.

NOTES: UNLESS OTHERWISE SPECIFIED.

DO NOT SCALE DRAWING. ALL DIMENSIONS ARE IN MILLIMETERS.



1031 Goodworth Drive, Apex, NC 27539, USA
Tel: +1.919.772.0115 www.ati-ia.com
Fax: +1.919.772.8259 ISO 9001 Registered Company

PROPERTY OF ATI INDUSTRIAL AUTOMATION, INC. NOT TO BE REPRODUCED IN ANY MANNER EXCEPT ON ORDER OR WITH PRIOR WRITTEN AUTHORIZATION OF ATI.

DRAWN BY: D.Brewer, 1/24/12		TITLE	
CHECKED BY: MLG, 1/24/12		TSS Tool Stand for QC-20/21 with MM, TP and (2X) CM	
PROJECT # 110516-1	SHEET 1 OF 1	SCALE 1:20	REVISION 14
		SIZE B	DRAWING NUMBER 9230-20-3613