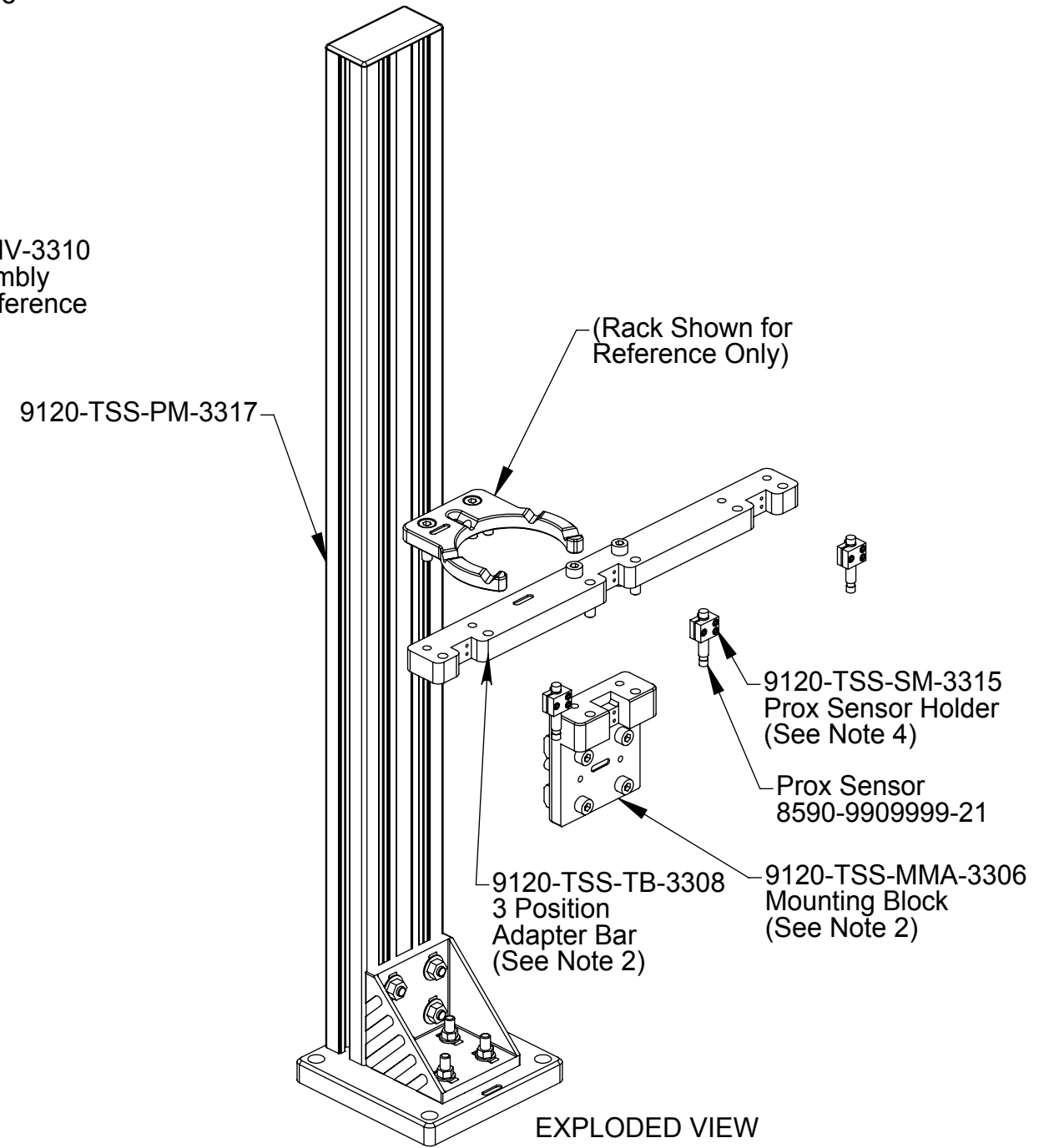
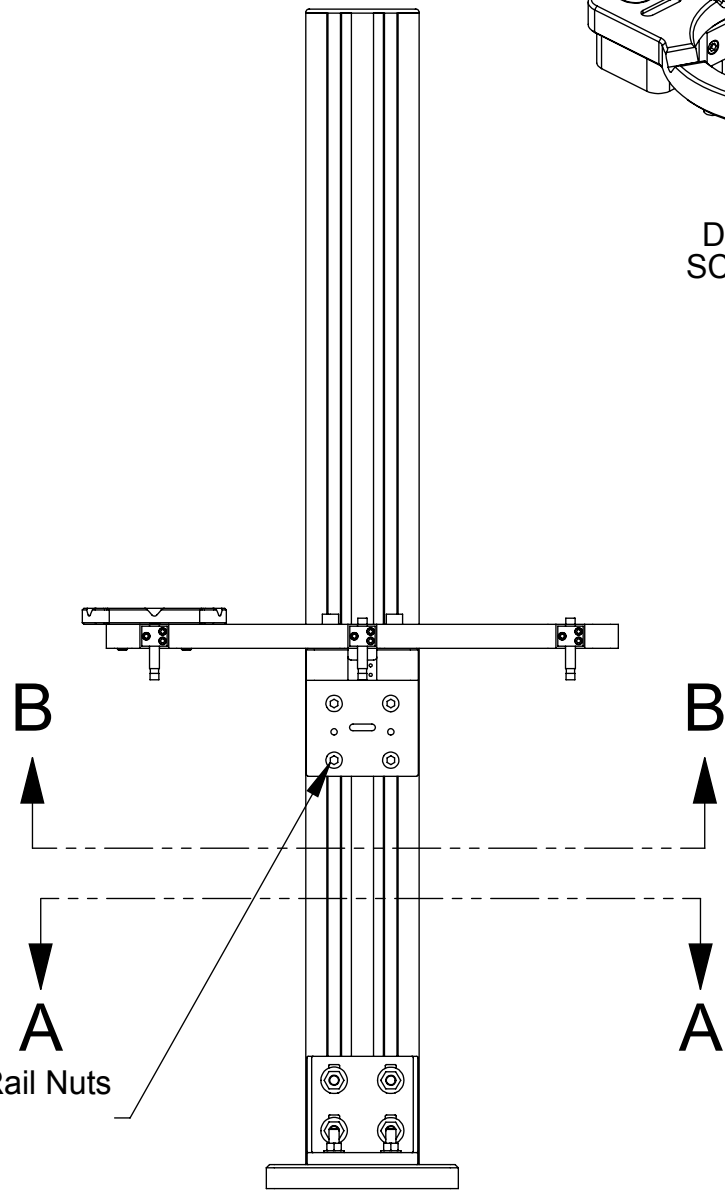
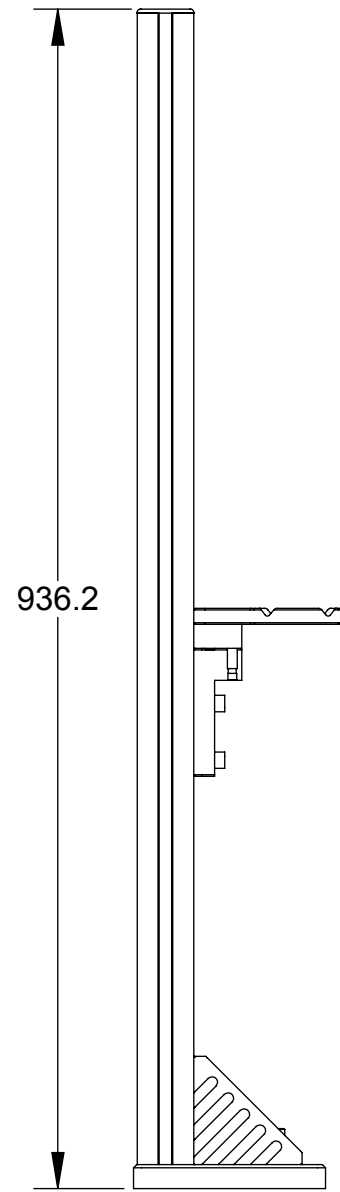
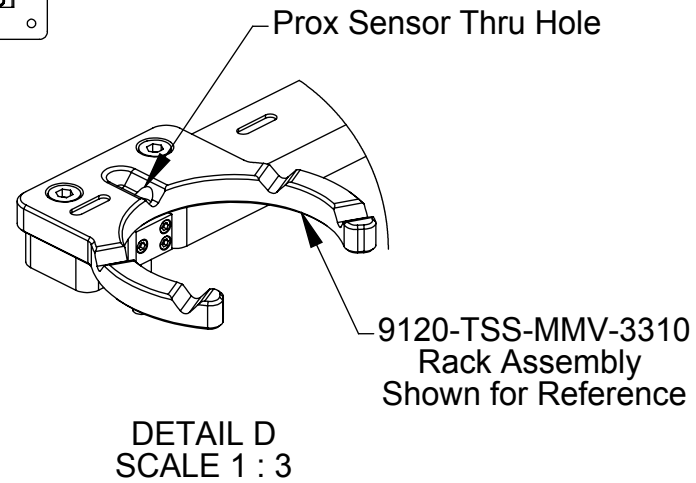
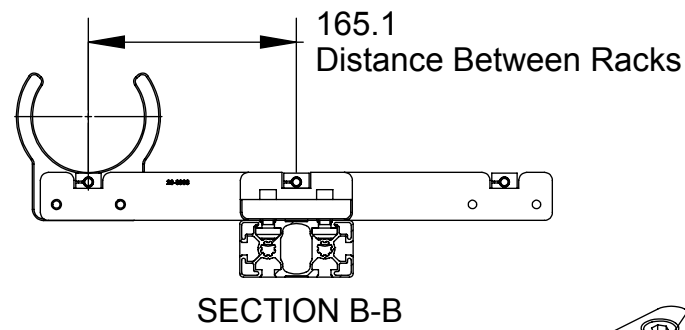
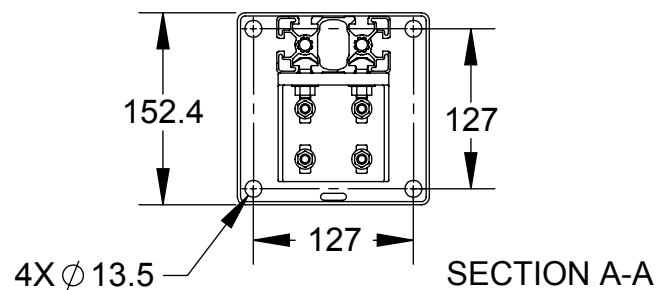


Rev.	Description	Initiator	Date
03	ECO 12682; Changed 221 in-lbs To 190 in-lbs & Added "8590-9909999-21" To Prox Sensor Note	TBC	10/17/2014

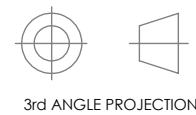


- NOTES:**
- Customer can specify other rail lengths
  - Mounting Block and 3 Position Bar are compatible with any TSS Rack
  - Use Loctite Threadlocker 242 on all fasteners. Tighten to 190 in-lbs.
  - Sensor Holder is compatible with any barrel-type  $\phi$ 8mm Sensor.



NOTES: UNLESS OTHERWISE SPECIFIED.

DO NOT SCALE DRAWING. ALL DIMENSIONS ARE IN MILLIMETERS.



1031 Goodworth Drive, Apex, NC 27539, USA  
 Tel: +1.919.772.0115 Email: info@ati-ia.com  
 Fax: +1.919.772.8259 www.ati-ia.com  
 ISO 9001 Registered Company

PROPERTY OF ATI INDUSTRIAL AUTOMATION, INC. NOT TO BE REPRODUCED IN ANY MANNER EXCEPT ON ORDER OR WITH PRIOR WRITTEN AUTHORIZATION OF ATI.

DRAWN BY: Dan Norton, 2/3/03		TITLE	
CHECKED BY: J.Winterroth, 10/21/14		Tool Stand Common Parts for QC-5 thru 21	
PROJECT # 010730-3	SHEET 1 OF 1	SCALE 1:6	REVISION 03
SIZE B	DRAWING NUMBER 9230-20-1912		