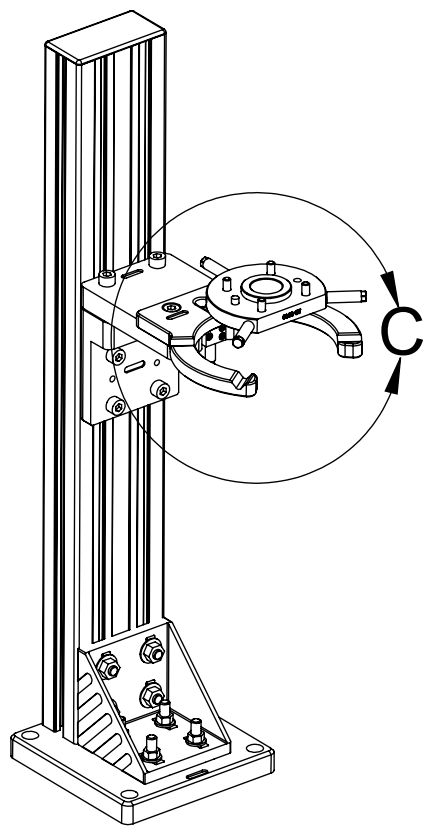
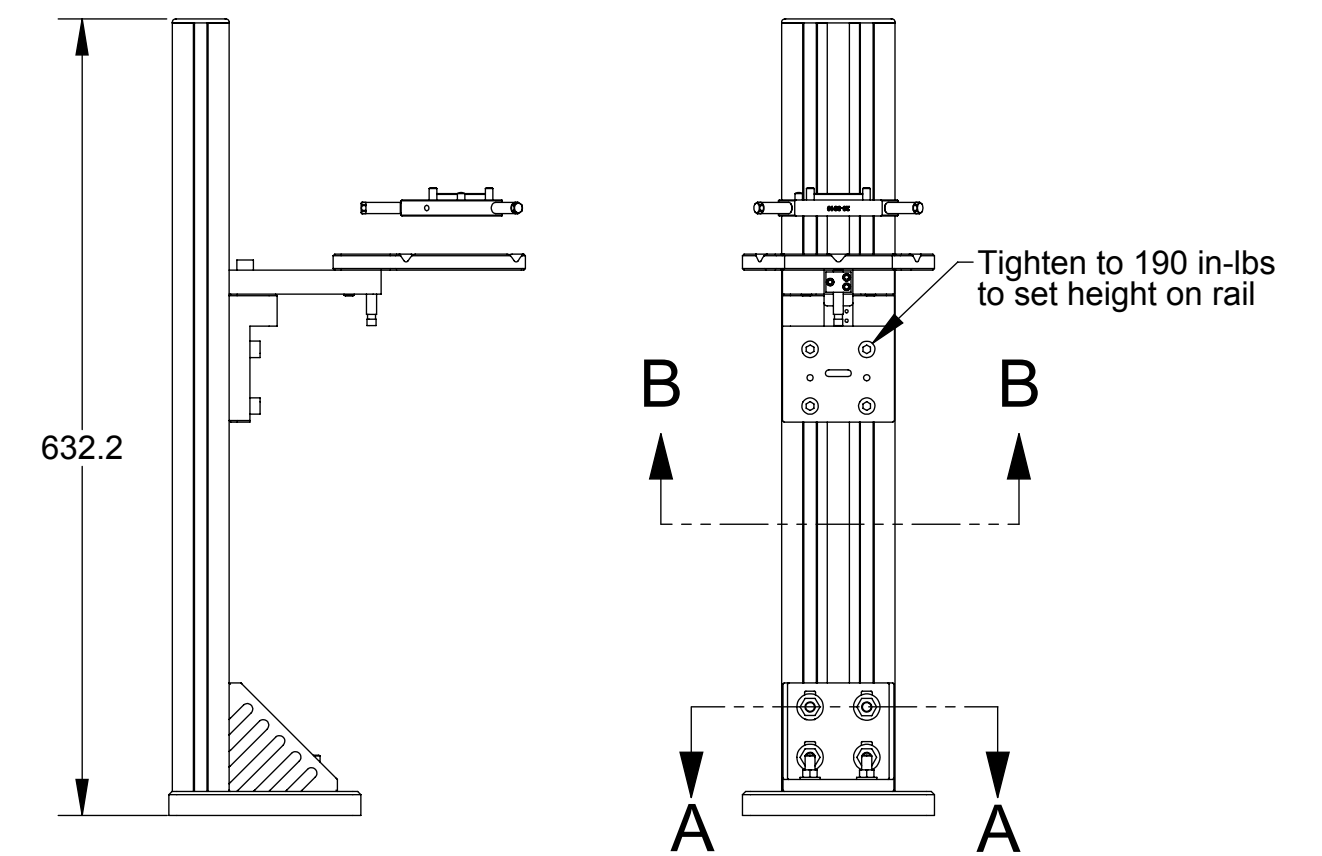
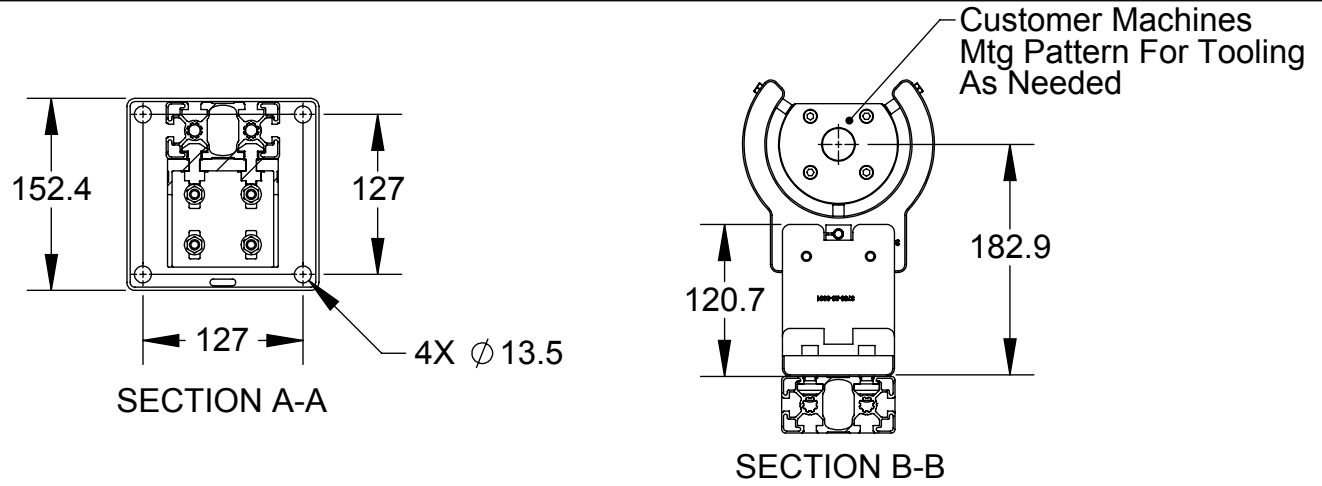
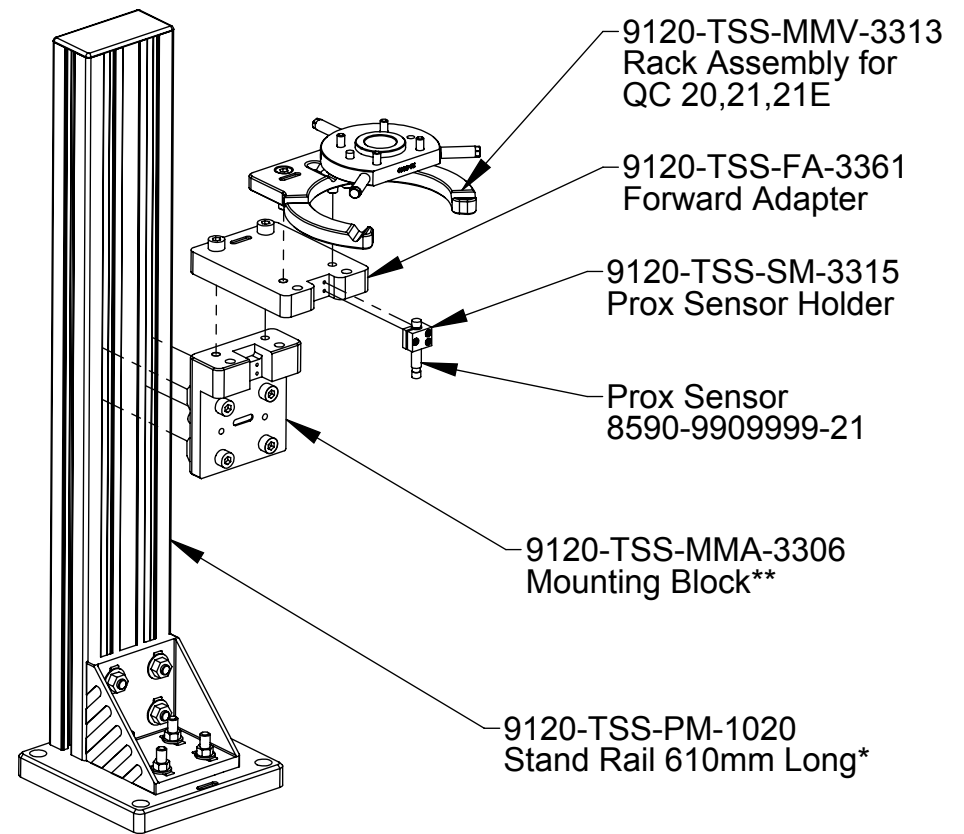


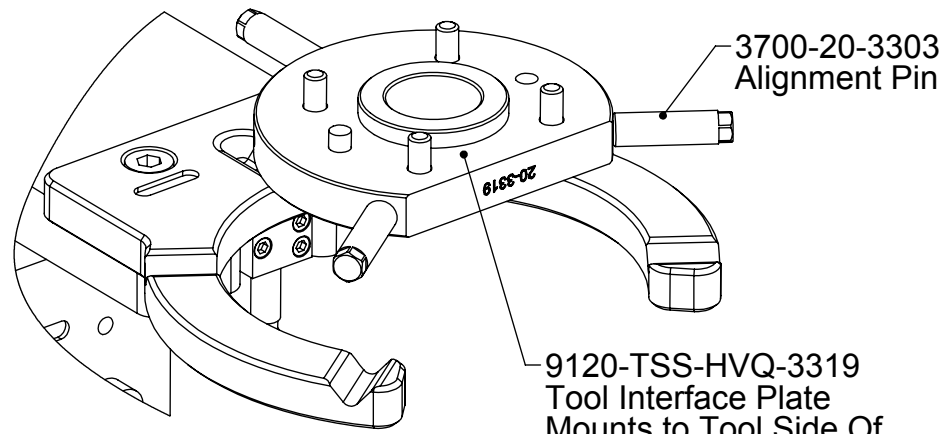
Rev.	Description	Initiator	Date
04	ECO 12682; Changed The Following: "9120-TSS-3319" To "9120-TSS-HVQ-3319", "9120-TSS-SMA-3315" To "9120-TSS-SM-3315" & "9120-TSS-3361" To "9120-TSS-FA-3361". Also, Added "8590-9909999-21" To Prox Sensor Note & Added "Stand Rail 610mm Long**" To 9120-TSS-PM-1020 Note & Changed 221 in-lbs & 140 in-lbs To 190 in-lbs As Well.	TBC	10/20/2014



ISOMETRIC VIEW



ISOMETRIC VIEW EXPLODED

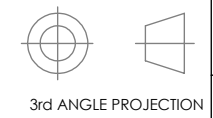


DETAIL C  
SCALE 1 : 2

- NOTES:
- \*Customer can specify other rail lengths
  - \*\*Mounting Block and Forward Adapter is compatible with any TSS Rack
  - Use Loctite Threadlocker 242 on all fasteners. Tighten to 190 in-lbs.

NOTES: UNLESS OTHERWISE SPECIFIED.

DO NOT SCALE DRAWING. ALL DIMENSIONS ARE IN MILLIMETERS.



1031 Goodworth Drive, Apex, NC 27539, USA  
 Tel: +1.919.772.0115 Email: info@ati-ia.com  
 Fax: +1.919.772.8259 www.ati-ia.com  
 ISO 9001 Registered Company

PROPERTY OF ATI INDUSTRIAL AUTOMATION, INC. NOT TO BE REPRODUCED IN ANY MANNER EXCEPT ON ORDER OR WITH PRIOR WRITTEN AUTHORIZATION OF ATI.

DRAWN BY: Dan Norton, 2/3/03		TITLE		
CHECKED BY: D. Brewer 7/15/12		Tool Stand Forward Adapter Kit for QC 20, 21, 21E		
PROJECT #	010730-3	SHEET	1	OF 1
SCALE	1:6	SIZE	B	DRAWING NUMBER
				9230-20-1679
				REVISION
				04