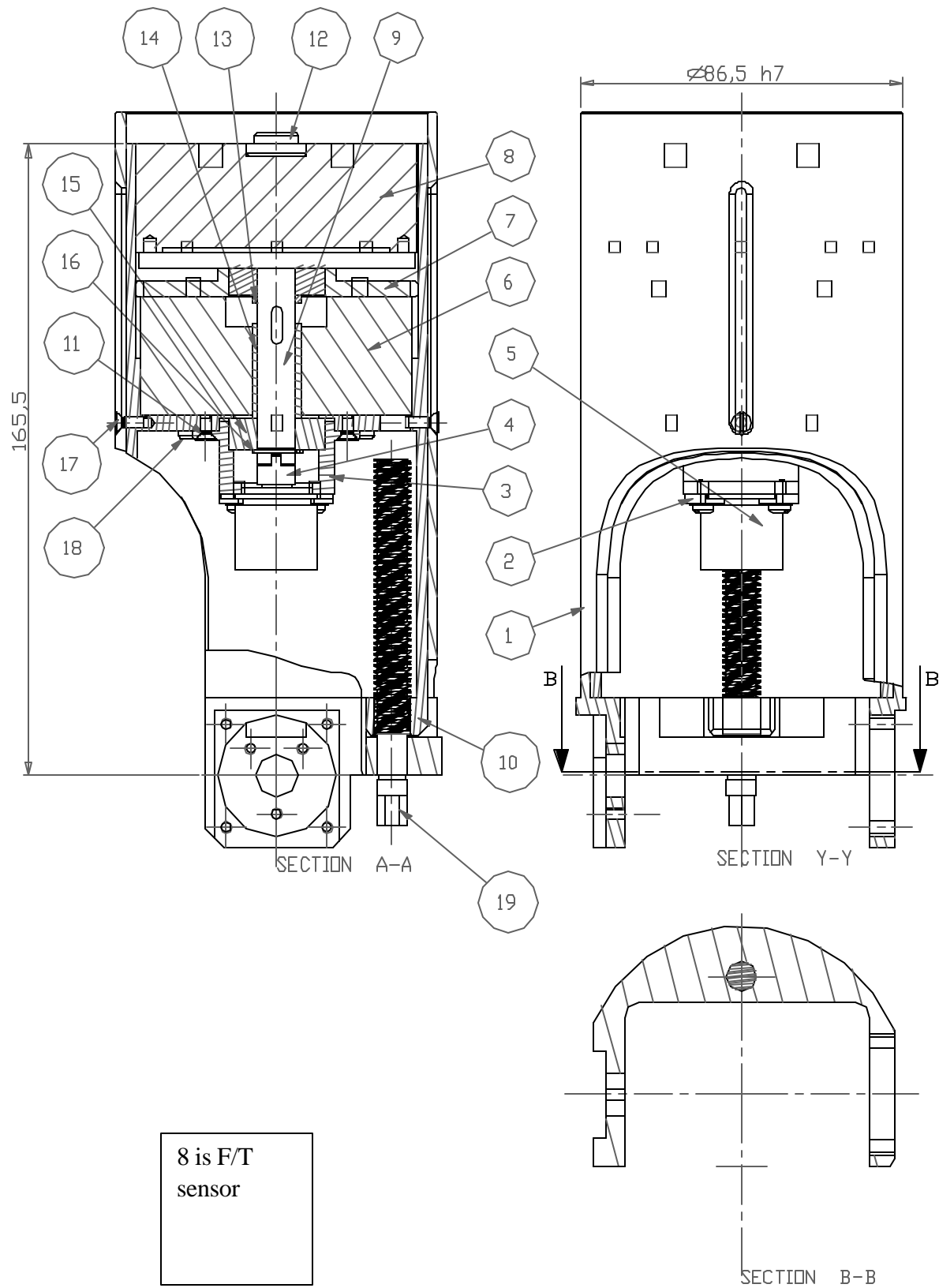


20 is F/T
Sensor

| | | | |
|------|------------|------------------|------------------|
| | | PM.01.05.00.00 | |
| | | LOWERARM SEGMENT | Scale 1 : 1 |
| File | PM01050000 | | Sheet: 1 of 3 |

SECTION A-A



| | | | |
|------|------------|----------------|------------------|
| | | PM.01.06.00.00 | |
| | | UPPERARM | Scale 1 : 1 |
| File | PM01060000 | | Sheet: 1 of 2 |