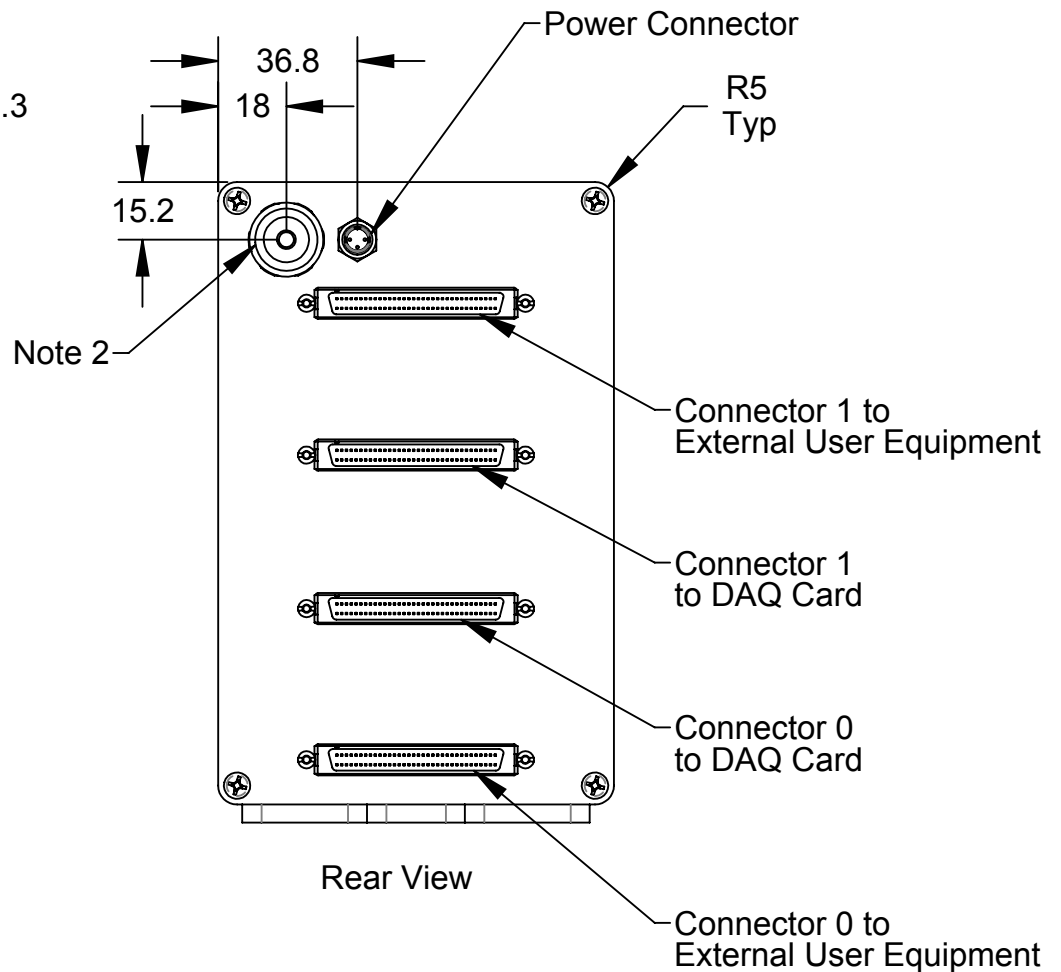
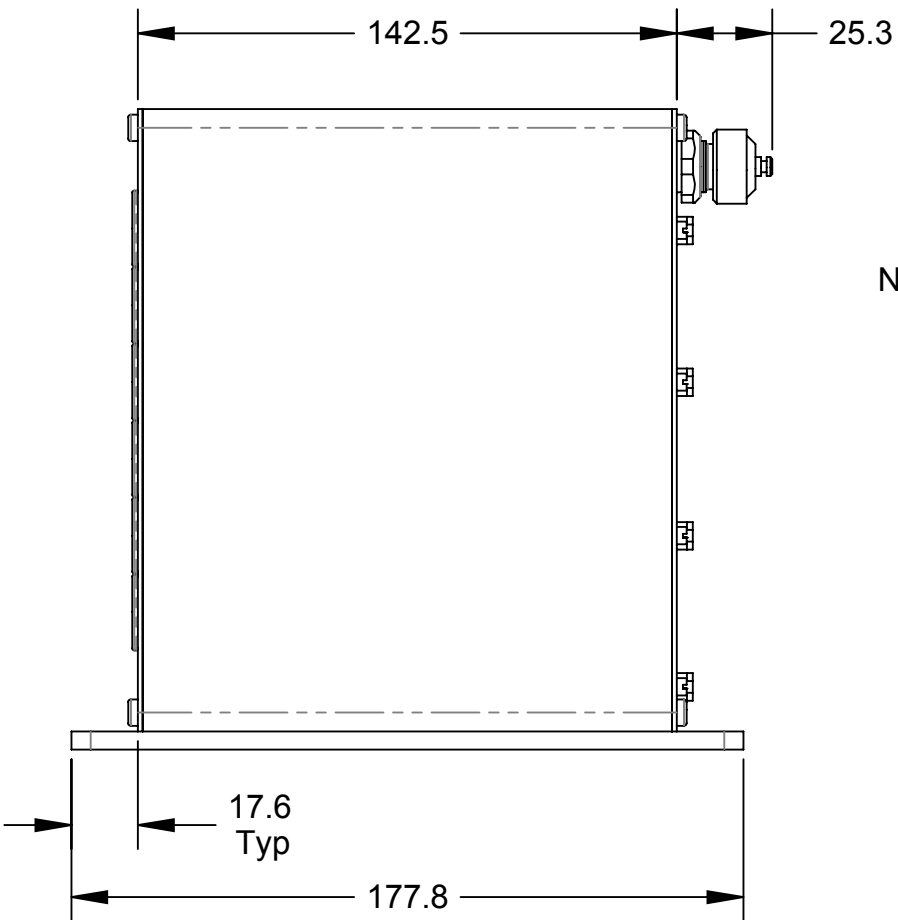
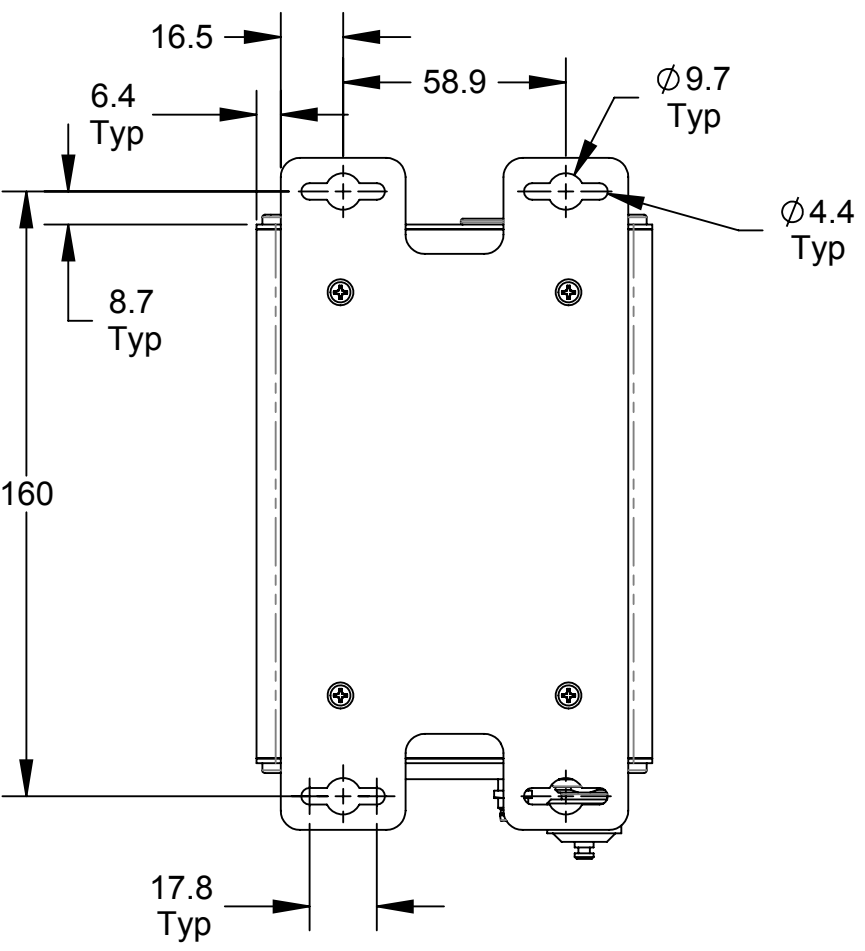
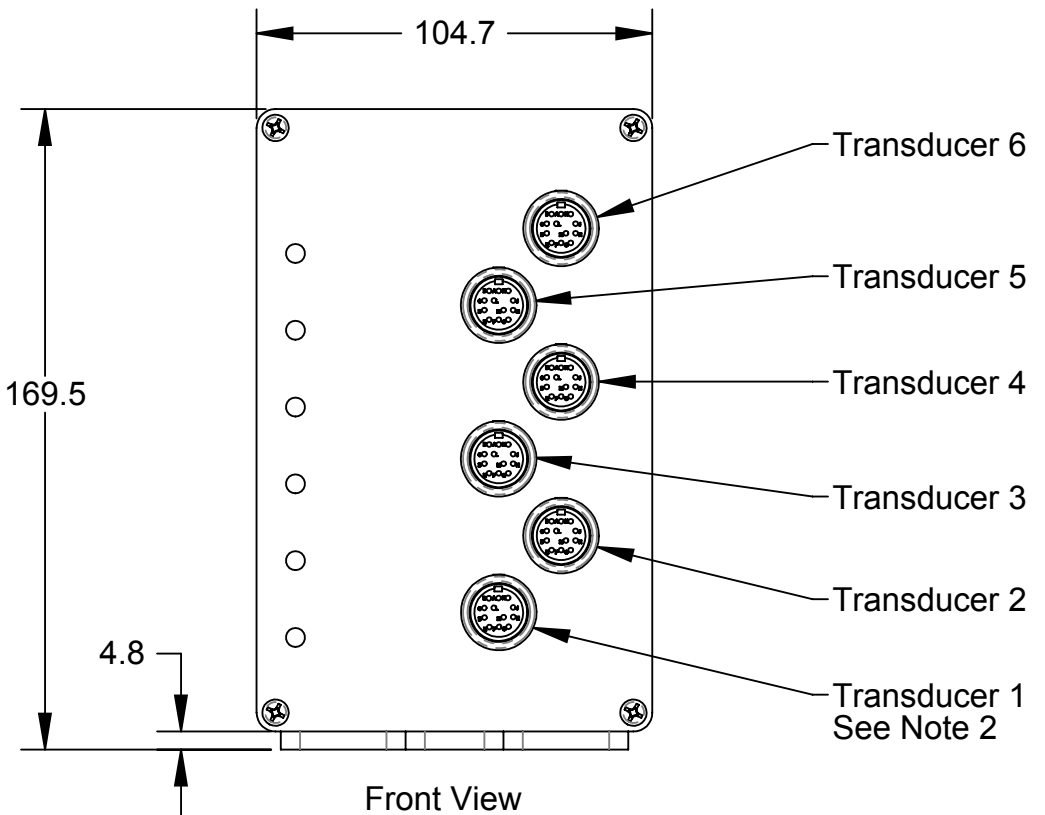


Rev.	Description	Initiator	Date
04	Updated to show all connector spaces populated.	PPF	7/18/2017

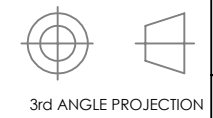


Notes:

1. Six transducer connectors are included, however the number of interface boards included is model dependent. Versions for 1-6 boards are available.
2. This feature is reserved for factory use only.
3. Minimum recommended front-panel clearance is 80mm. Minimum recommended rear-panel clearance is 150mm.

NOTES: UNLESS OTHERWISE SPECIFIED.

DO NOT SCALE DRAWING. ALL DIMENSIONS ARE IN MILLIMETERS.



1031 Goodworth Drive, Apex, NC 27539, USA
 Tel: +1.919.772.0115 Email: info@ati-ia.com
 Fax: +1.919.772.8259 www.ati-ia.com
 ISO 9001 Registered Company

PROPERTY OF ATI INDUSTRIAL AUTOMATION, INC. NOT TO BE REPRODUCED IN ANY MANNER EXCEPT ON ORDER OR WITH PRIOR WRITTEN AUTHORIZATION OF ATI.

DRAWN BY: R. Chambers 2/11/11		TITLE	
CHECKED BY: D. Mushow 2/15/11		9105-IFPSMC-X	
PROJECT # 101020-1	SHEET 1 OF 1	SCALE 1:2	SIZE B
		DRAWING NUMBER	REVISION
		9230-05-1384	04