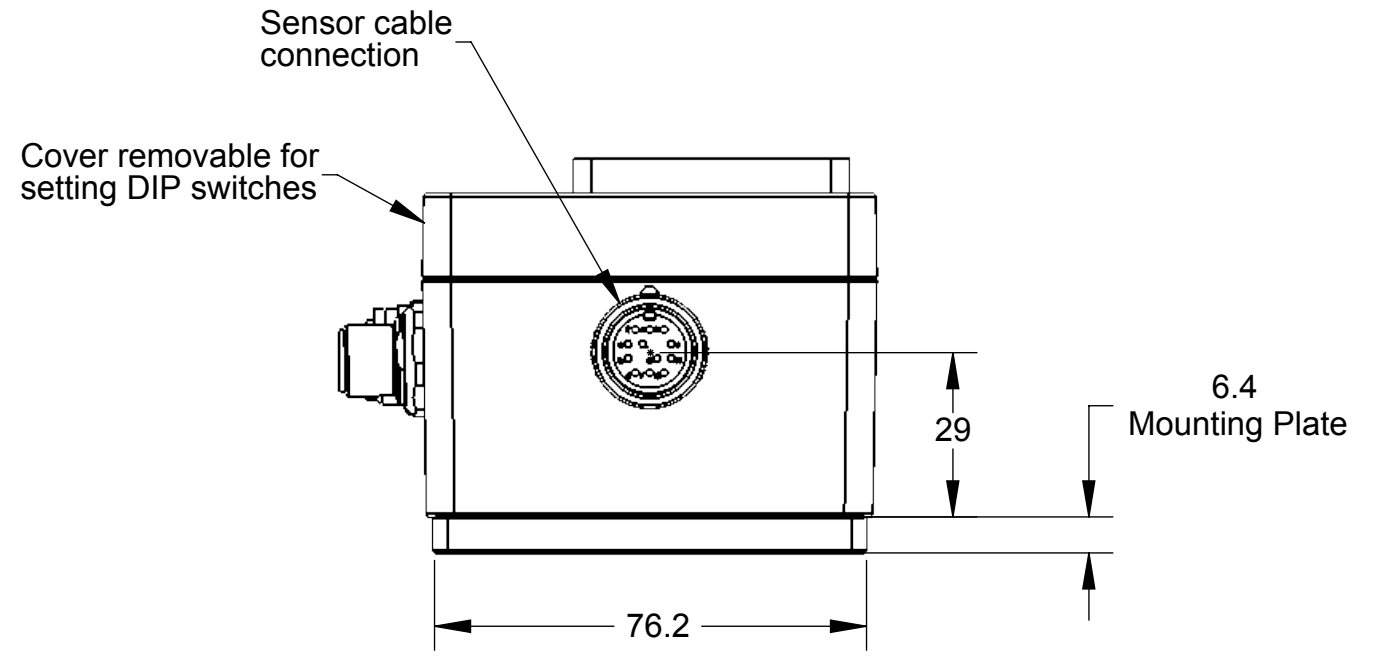
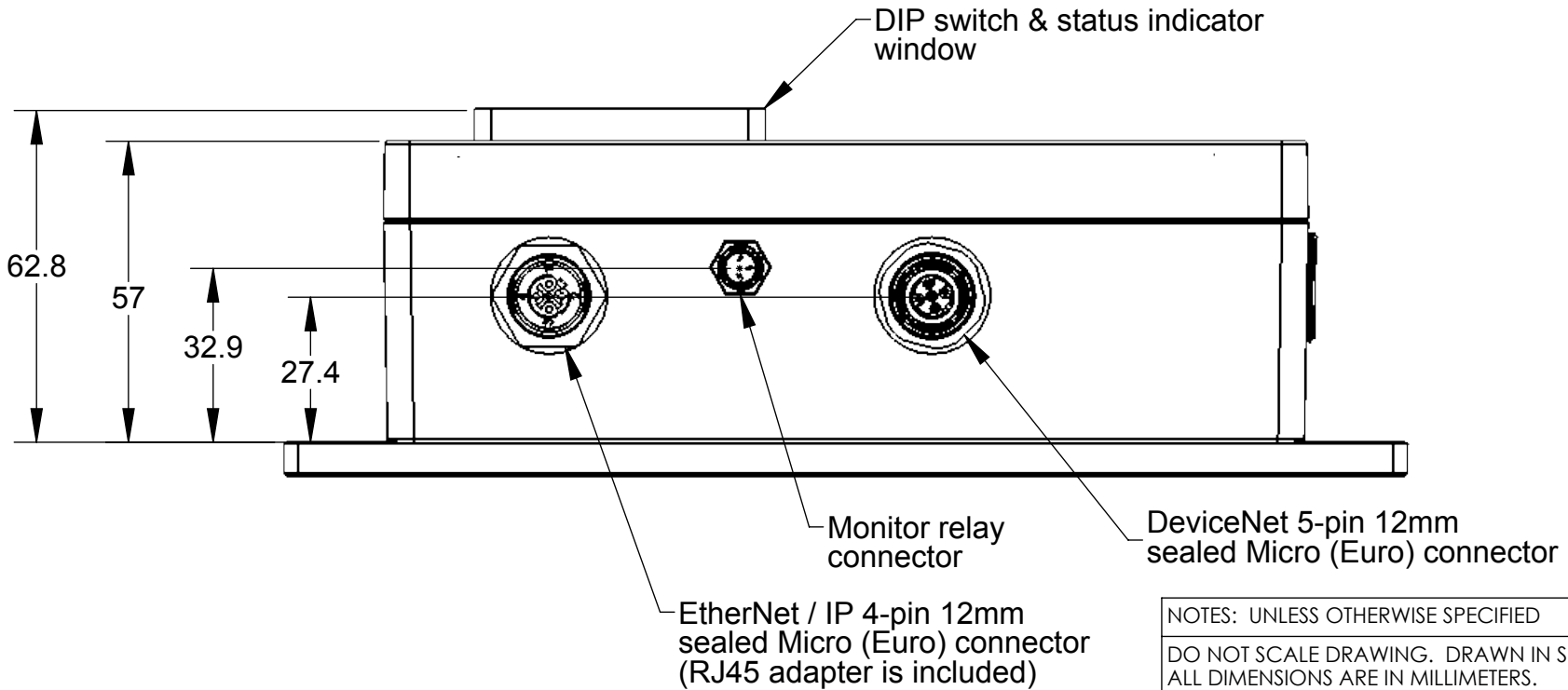
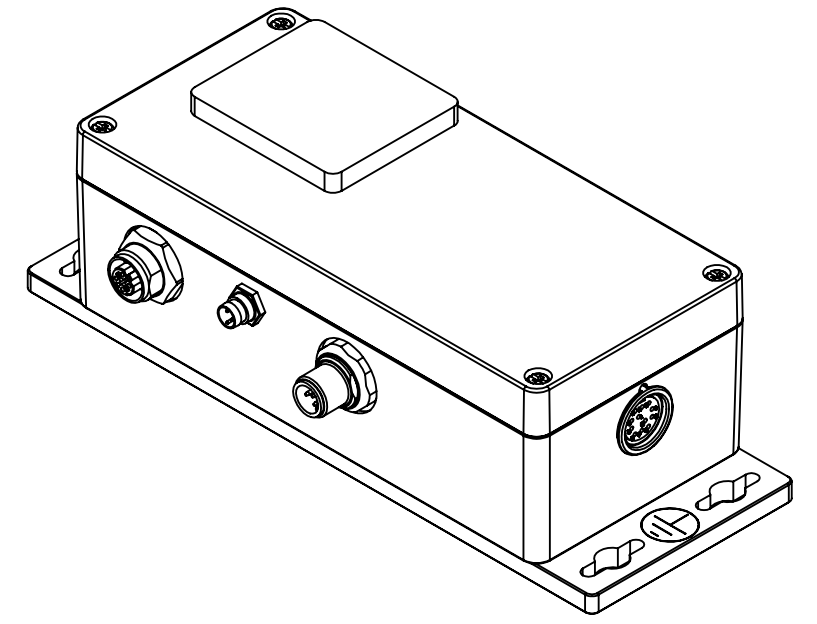
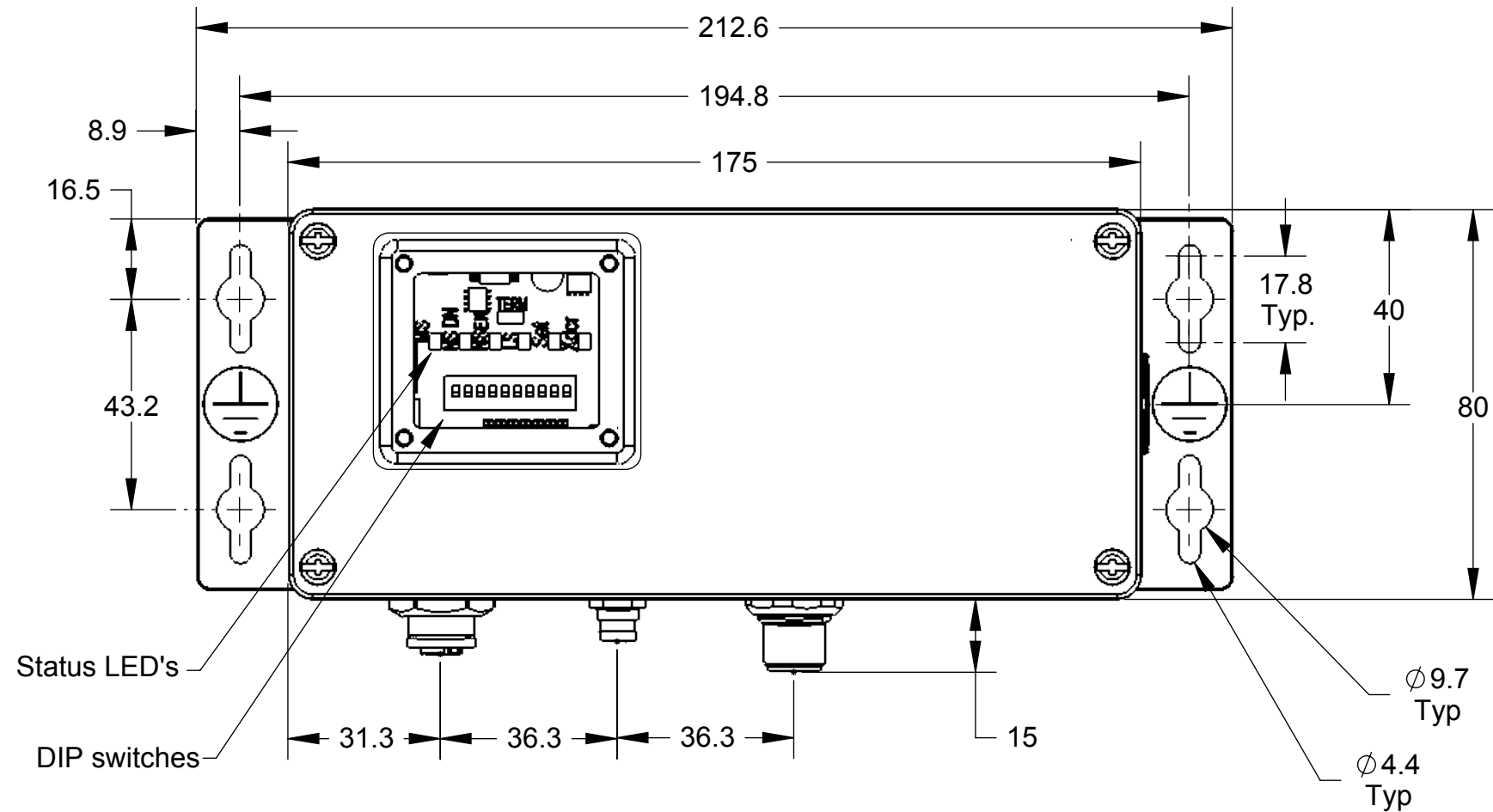
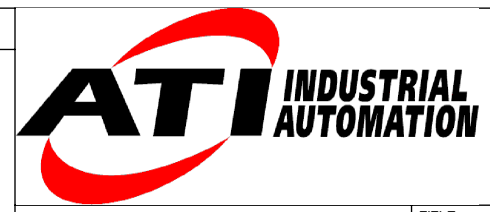


Rev.	Description	Initiator	Date
02	Added missing dimensions	RKC	4/20/2009



NOTES: UNLESS OTHERWISE SPECIFIED
DO NOT SCALE DRAWING. DRAWN IN SOLIDWORKS.
ALL DIMENSIONS ARE IN MILLIMETERS.



1031 Goodworth Drive, Apex, NC 27539, USA
Tel: +1.919.772.0115 Email: info@ati-ia.com
Fax: +1.919.772.8259 www.ati-ia.com
ISO 9001 Registered Company

PROPERTY OF ATI INDUSTRIAL AUTOMATION, INC. NOT TO BE REPRODUCED IN ANY MANNER EXCEPT ON ORDER OR WITH PRIOR WRITTEN AUTHORIZATION OF ATI.



DRAWN BY: P.Sparrow, 4/23/08		TITLE		
CHECKED BY: D.Swanson, 4/23/08		Net F/T Interface Box Analog Version		
WEIGHT LBS:	SCALE 3:4	SIZE B	DRAWING NUMBER 9230-05-1327	REVISION 02
ASSEMBLY REF:	PRODUCT RELEASE # 070607-2 DATE:		SHEET 1 OF 1	