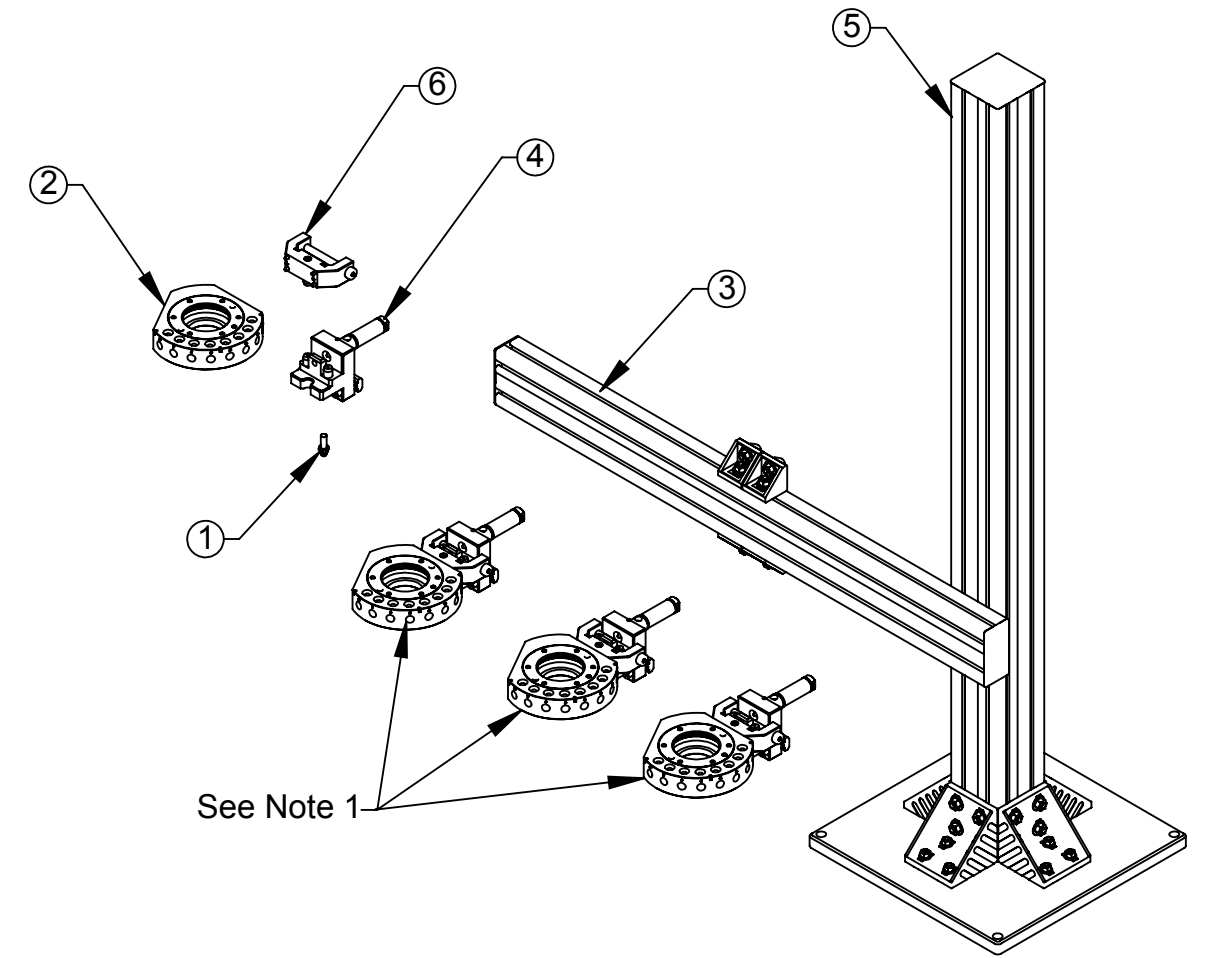
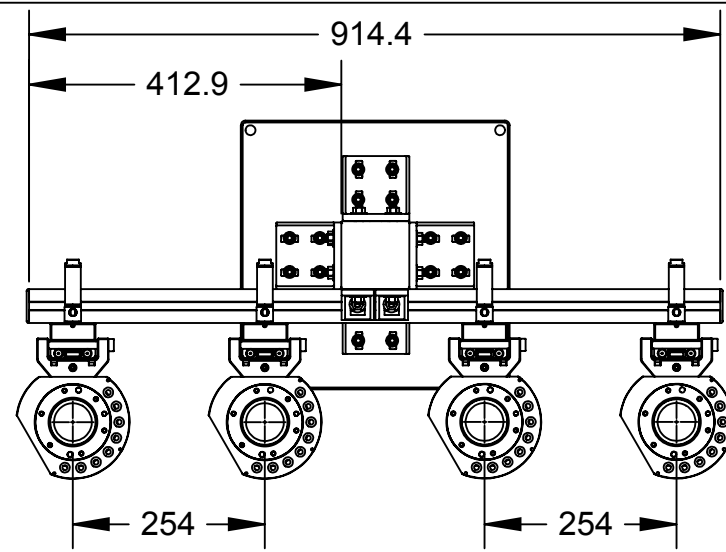
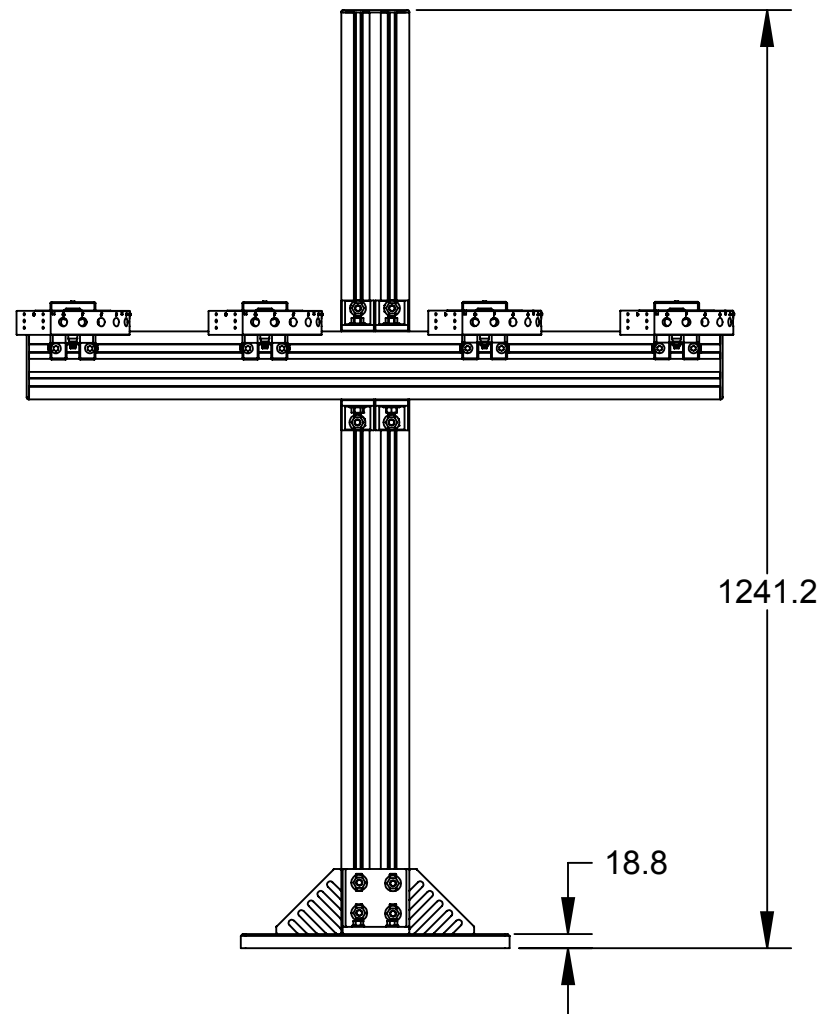
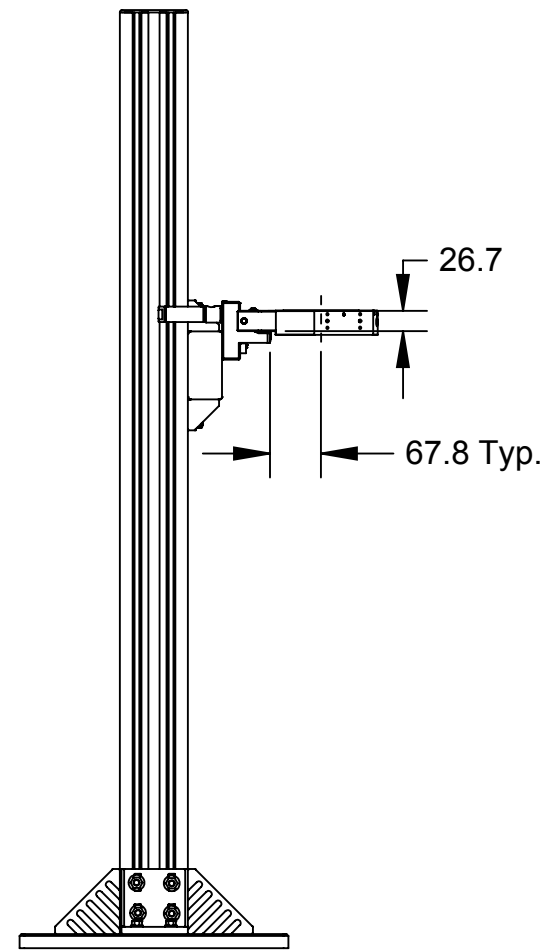


Rev.	Description	Initiator	Date
01	Initial Drawing	KRZ	04/15/10
02	Eco 8675; Removed Flow Control from Air Cylinder on Assembly 9120-TSM-MM-5499.	CF	7/13/2011
03	ECO 9908; Removed slots on Base Plate.	JDB/MSD	07/16/2012



See Note 1



ITEM NO.	QTY.	PART NUMBER	DESCRIPTION
1	4	8590-9909999-34	True 2 PNP Proximity Sensor
2	4	9120-071T-000-000	QC-71 Tool with no options
3	1	9120-TSM-HM-3317	TSM Horizontal Module, 36"
4	4	9120-TSM-MM-5499	TSM Tool Hanger Block with Locking Cylinder
5	1	9120-TSM-PM-3318	TSM Post Module, 48"
6	4	9120-TSM-TH-5497	Tool Hanger Module for J16 Flat

Notes:

Number of Tools to be installed per Tool size should be confirmed with application engineering prior to sales order.

NOTES: UNLESS OTHERWISE SPECIFIED.

DO NOT SCALE DRAWING. ALL DIMENSIONS ARE IN MILLIMETERS.



1031 Goodworth Drive, Apex, NC 27539, USA
 Tel: +1.919.772.0115 Email: info@ati-ia.com
 Fax: +1.919.772.8259 www.ati-ia.com
 ISO 9001 Registered Company

PROPERTY OF ATI INDUSTRIAL AUTOMATION, INC. NOT TO BE REPRODUCED IN ANY MANNER EXCEPT ON ORDER OR WITH PRIOR WRITTEN AUTHORIZATION OF ATI.

DRAWN BY: K. Zachary, 05/10/10		TITLE	
CHECKED BY: D. Norton, 05/10/10		Locking TSM for QC-71, TSM Posts, 4 Tools	
PROJECT #	090226-1	SHEET	1 OF 1
SCALE	1:10	SIZE	B
DRAWING NUMBER	9230-20-3198	REVISION	03