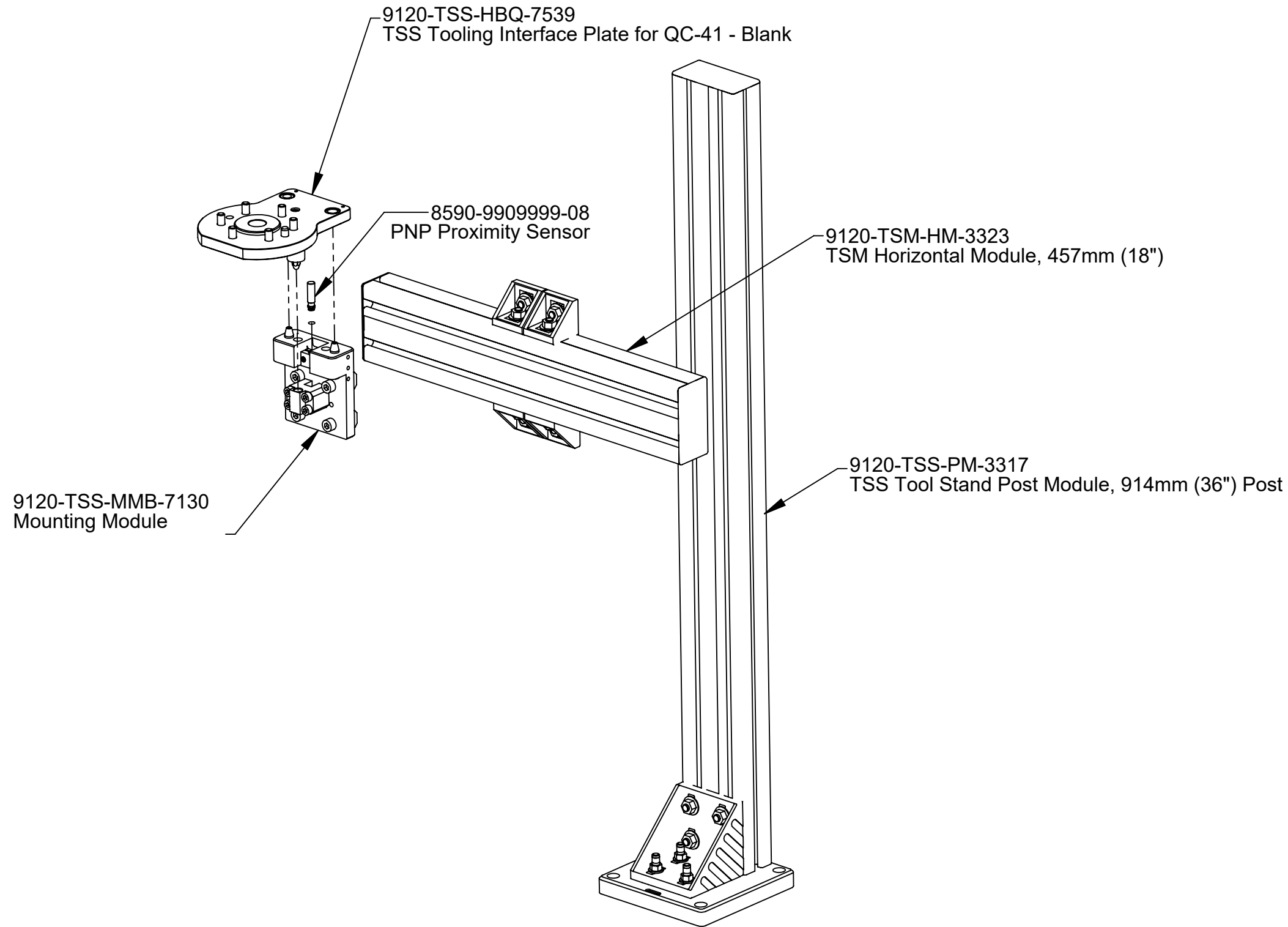


Rev.	Description	Initiator	Date
07	ECO 21182: Updated to reflect changes made to 9120-TSS-HBQ-7539.	BAW	4/18/2023

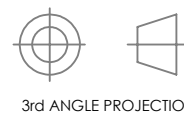


Note

1. Tool Stand will be shipped unassembled and packaged to protect components.

NOTES: UNLESS OTHERWISE SPECIFIED.

DO NOT SCALE DRAWING. ALL DIMENSIONS ARE IN MILLIMETERS.



1031 Goodworth Drive, Apex, NC 27539, USA  
 Tel: +1.919.772.0115 [www.ati-ia.com](http://www.ati-ia.com)  
 Fax: +1.919.772.8259 ISO 9001 Registered Company

PROPERTY OF ATI INDUSTRIAL AUTOMATION, INC. NOT TO BE REPRODUCED IN ANY MANNER EXCEPT ON ORDER OR WITH PRIOR WRITTEN AUTHORIZATION OF ATI.

DRAWN BY: D.Brewer, 4/23/12		TITLE	
CHECKED BY: MLG, 5/1/12		TSS Tool Stand for QC-41 with MM and TP	
SCALE	SIZE	DRAWING NUMBER	REVISION
1:20	B	9630-20-TSS-ASY-7539	07

PROJECT # 120416-1 SHEET 1 OF 1