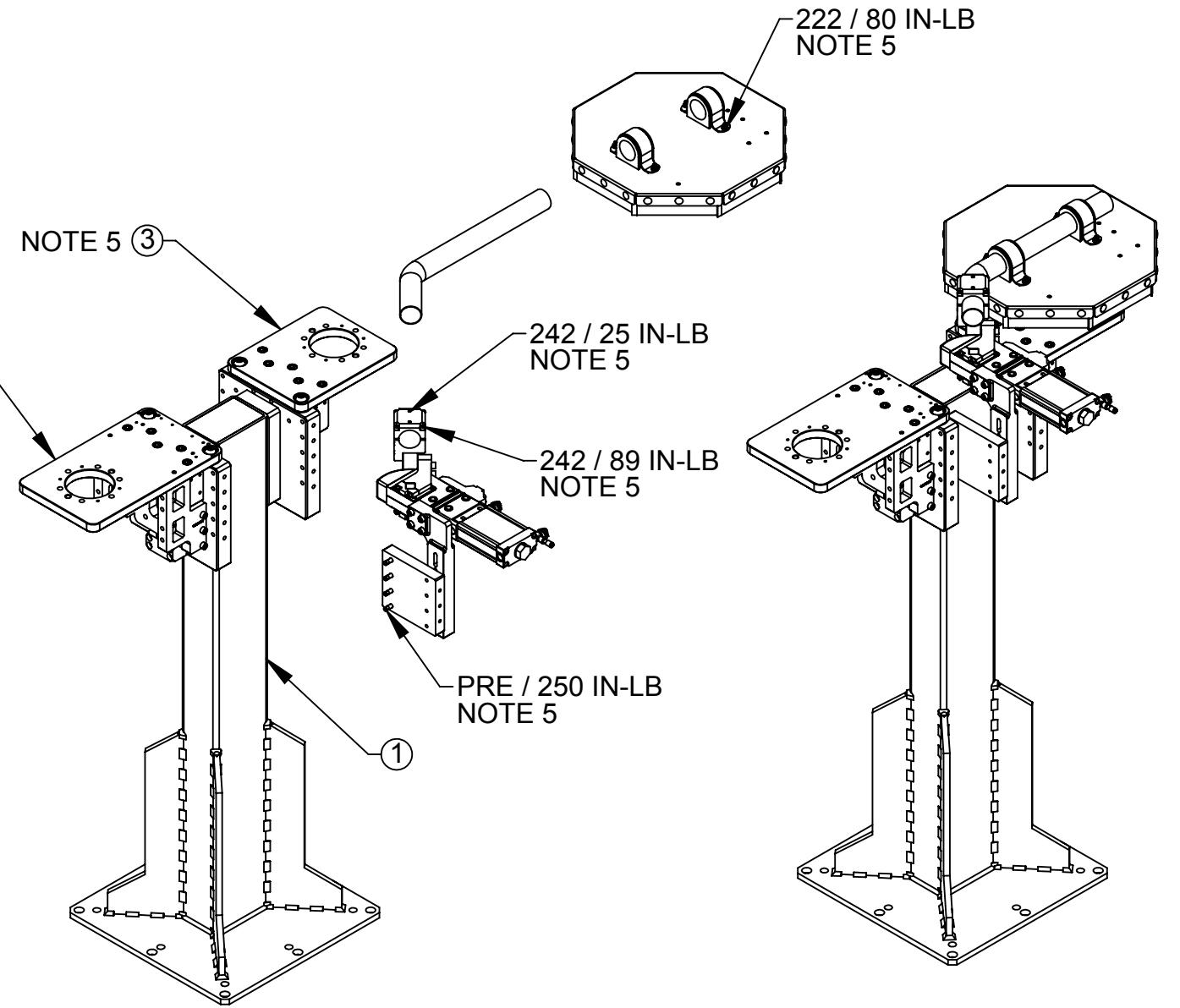
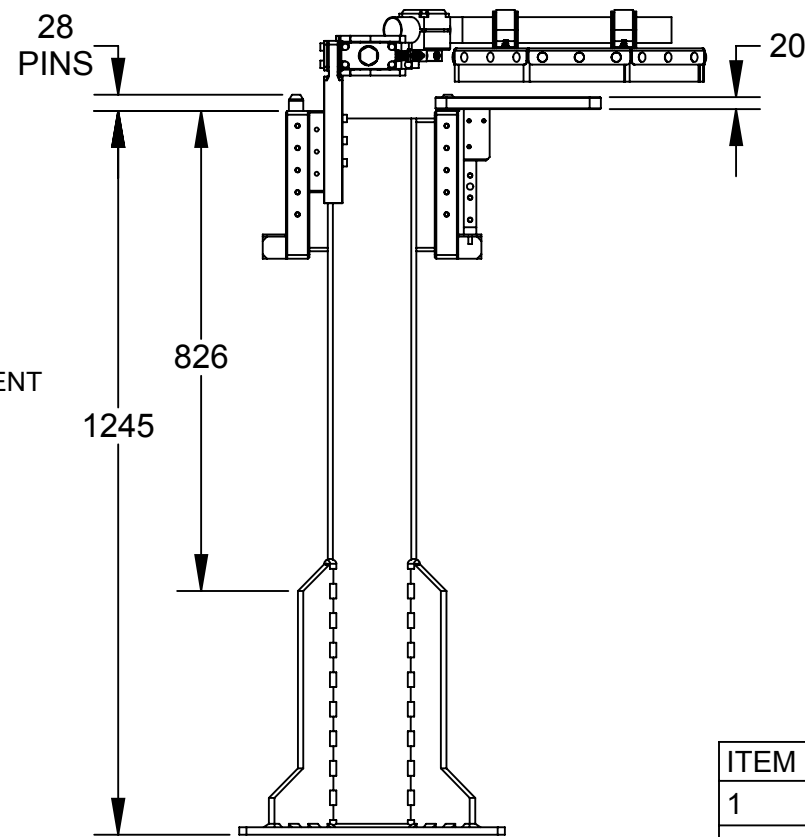
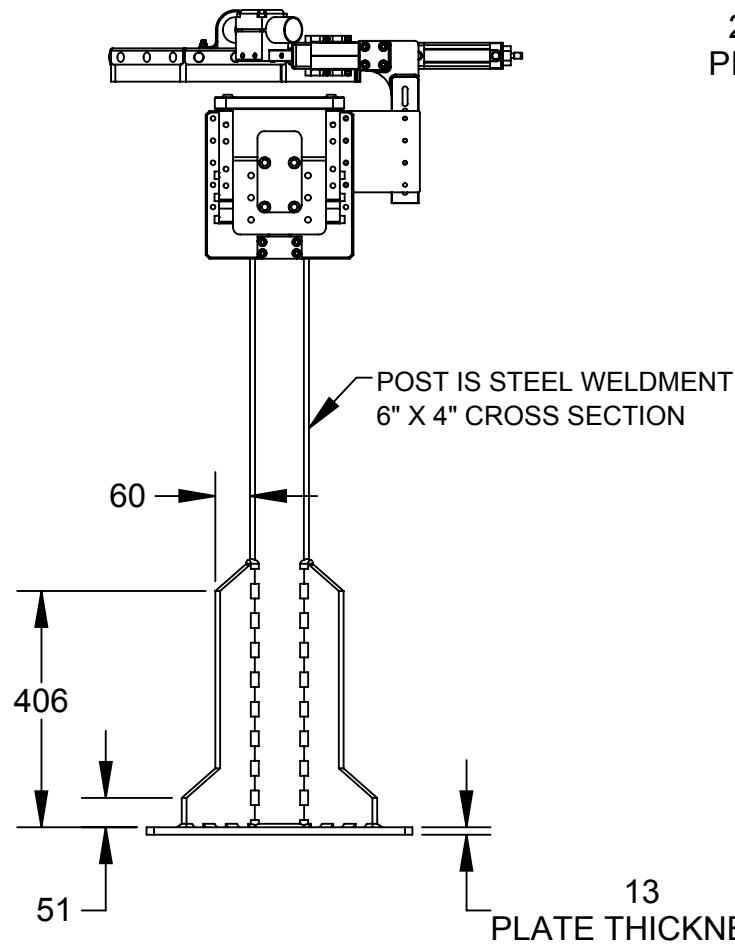
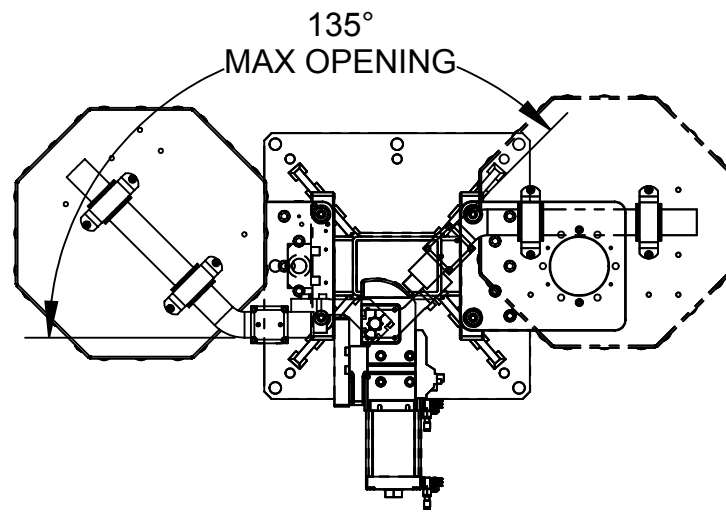
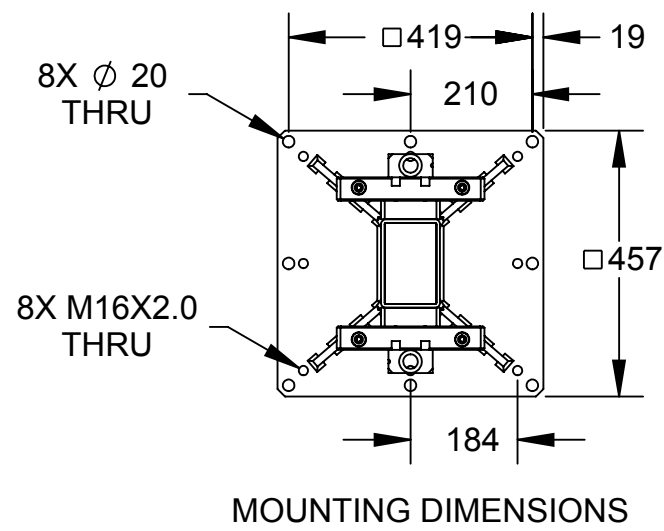


Rev.	Description	Initiator	Date
01	INITIAL DRAWING	TGD	06/05/2019



NOTES:

1. DRY FASTENERS INSTALLED HAND TIGHT FOR SHIPMENT. CUSTOMER TO SET FINAL PLACEMENT AND SECURE WITH SUGGESTED LOCTITE OR SIMILAR THREADLOCKER AND TORQUE TO RECOMMENDED TORQUE VALUE.
2. TOOL STAND ASSEMBLY SHIPPED UNASSEMBLED. DEBRIS SHIELDS, DEBRIS SHIELD ARMS, AND DEBRIS SHIELD ACTUATORS SHIPPED LOOSE. CUSTOMER TO SET FINAL PLACEMENT AND SECURE WITH SUGGESTED LOCTITE OR SIMILAR THREADLOCKER AND TORQUE TO RECOMMENDED TORQUE VALUE.
3. CUSTOMER TO PROVIDED EOAT DOWELS & FASTENERS.
4. POST WELDMENT COLOR WHITE (RAL 9003)
5. TOOLING INTERFACE PLATES ORDERED SEPARATELY

ITEM NO.	QTY	PART NUMBER	DESCRIPTION
1	1	9120-TSL-ASY-7836	TSL DUAL STAND - SMA, ADJUSTABLE DSA, DS - 48" HIGH
2	1	9120-TSL-TP-7571	TSL TOOLING INTERFACE PLATE FOR QC-210 WITH BC 125, (6) M10 THRU, (4) DOWEL 10, WITH GUSSETS 6875
3	1	9120-TSL-TP-7572	TSL TOOLING INTERFACE PLATE FOR QC-210 WITH BC 125, (6) M10 THRU, (4) DOWEL 10, SHORTENED (11.2" OAL)

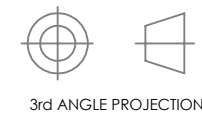
NOTES: UNLESS OTHERWISE SPECIFIED.

DO NOT SCALE DRAWING. ALL DIMENSIONS ARE IN MILLIMETERS.



1031 Goodworth Drive, Apex, NC 27539, USA  
 Tel: +1.919.772.0115 Email: info@ati-ia.com  
 Fax: +1.919.772.8259 www.ati-ia.com  
 ISO 9001 Registered Company

PROPERTY OF ATI INDUSTRIAL AUTOMATION, INC. NOT TO BE REPRODUCED IN ANY MANNER EXCEPT ON ORDER OR WITH PRIOR WRITTEN AUTHORIZATION OF ATI.



DRAWN BY: T. Delp, 6/5/2019		TITLE	
CHECKED BY: J. Winterroth, 7/12/19		TSL Dual Stand - SMA, Adjustable DSA, DS - 48" High	
PROJECT # 190528-1	SHEET 1 OF 1	SCALE 1:13	SIZE B
DRAWING NUMBER 9630-20-TSL-ASY-7836		REVISION 01	