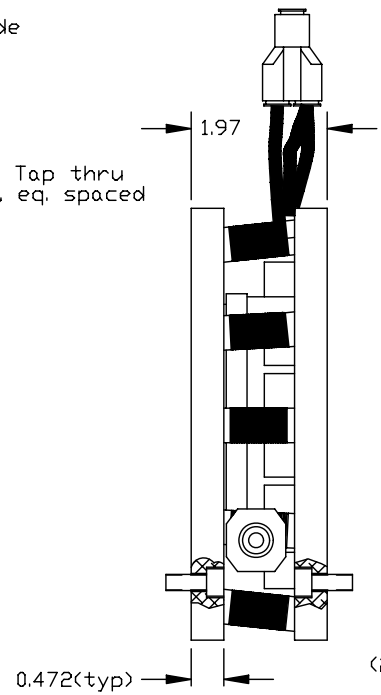
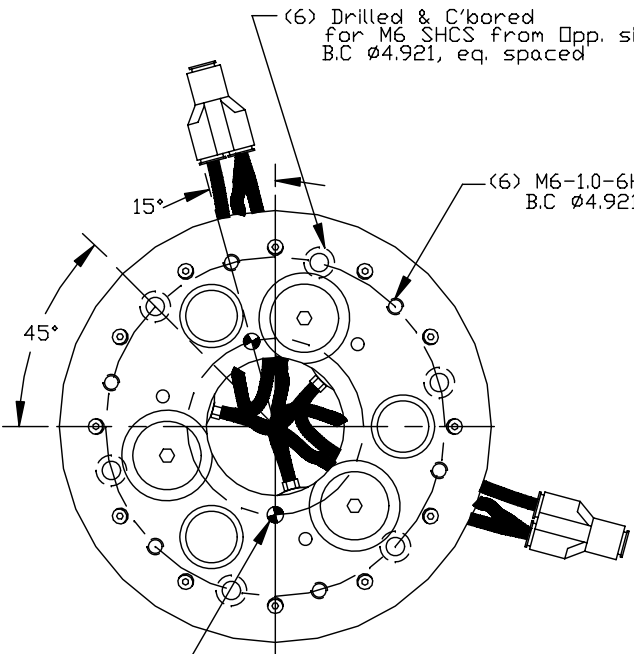


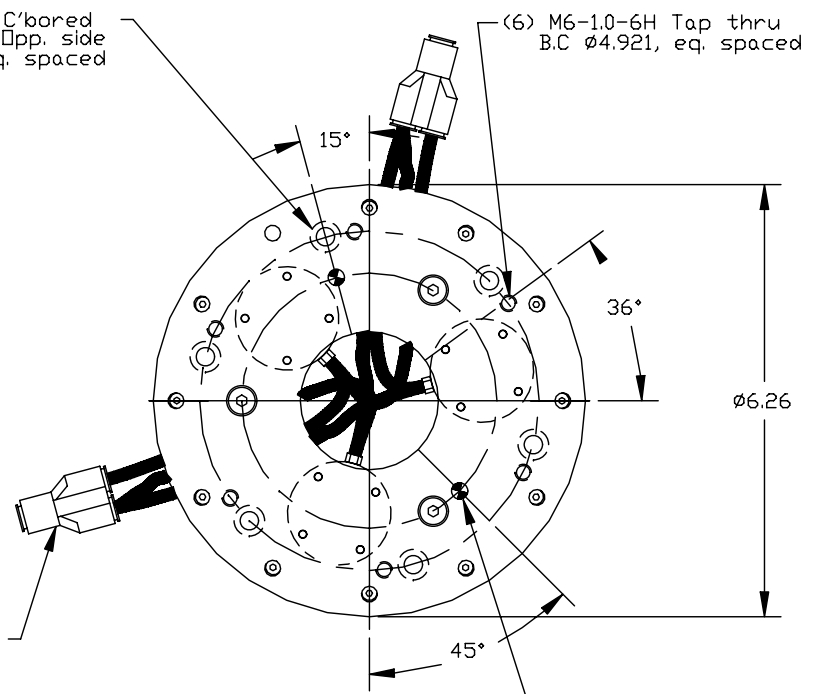
PROPERTY OF ATI, INDUSTRIAL AUTOMATION, INC.
 NOT TO BE REPRODUCED IN ANY MANNER EXCEPT ON
 ORDER OR WITH PRIOR WRITTEN AUTHORIZATION OF ATI.

REVISION	DESCRIPTION	INITIATOR	APPROVAL
----------	-------------	-----------	----------



(6) Drilled & C'bored
 for M6 SHCS from Opp. side
 B.C Ø4.921, eq. spaced

(6) M6-1-0-6H Tap thru
 B.C Ø4.921, eq. spaced

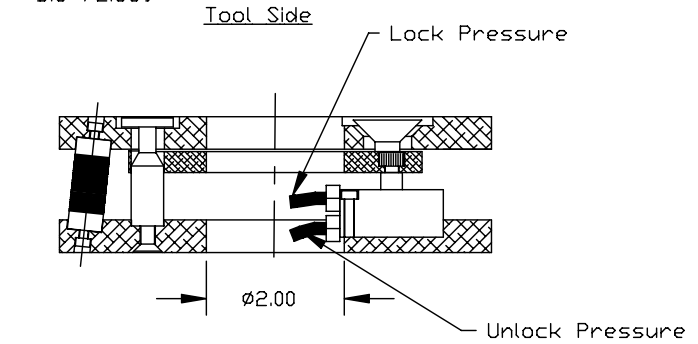


(6) M6-1-0-6H Tap thru
 B.C Ø4.921, eq. spaced

(2) Quick Disconnect
 for 4mmTube

Mounting Side

(2)Ø0.237 thru
 0.236
 B.C Ø3.700



Note:
 1. All dimensions in inches unless
 specified otherwise.



Third Angle Projection

		1031 Goodworth Drive, Apex, NC 27539, USA Tel: +1.919.772.0115 Email: info@ati-ia.com Fax: +1.919.772.0115 http://www.ati-ia.com ISO Registered Company		
		TITLE 400 Series Compensator with Pneumatic Lock-up		
DR. BY: P.B 01/09/98		SCALE NONE	SIZE B-11X17	DRAWING NUMBER 9230-15-1013-02
CK'D. BY:		PD		
ENG. APPR.:		SHEET 1 OF 1		
MFG. APPR.:				