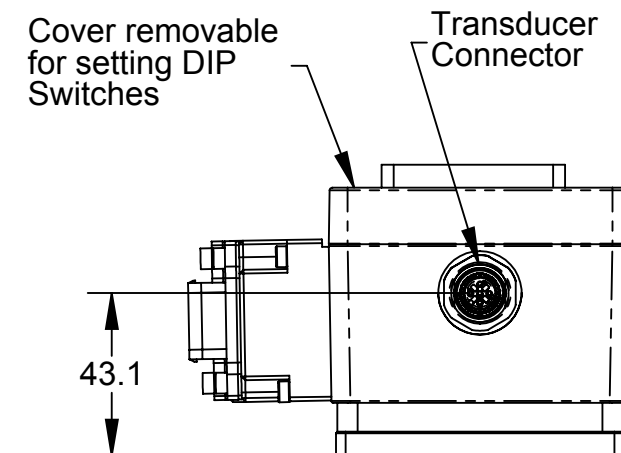
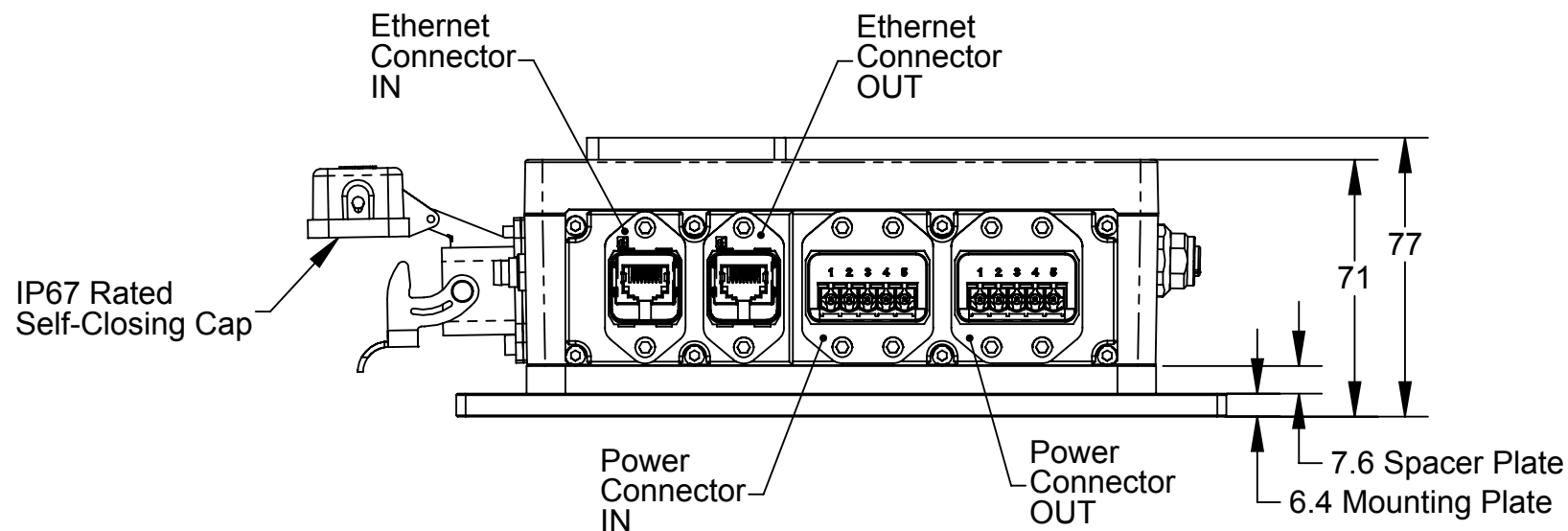
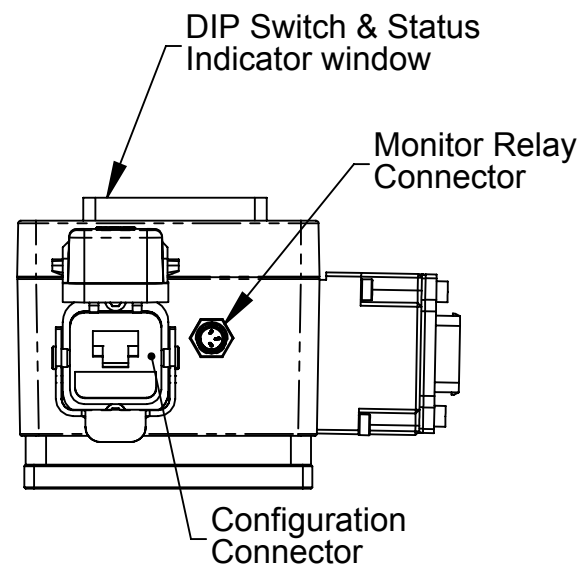
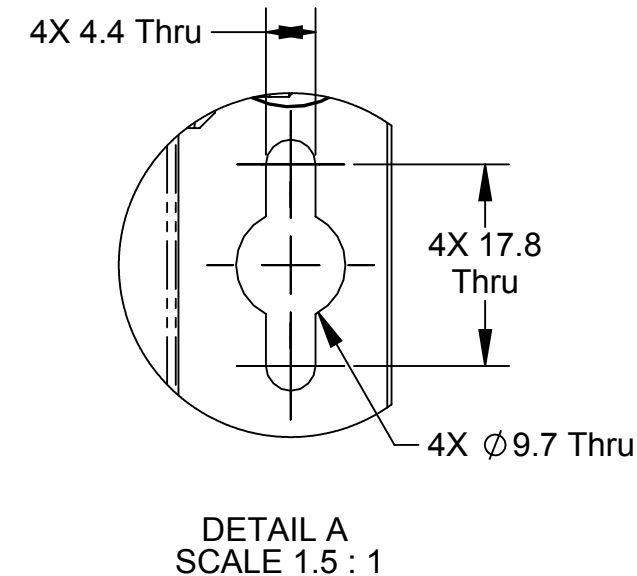
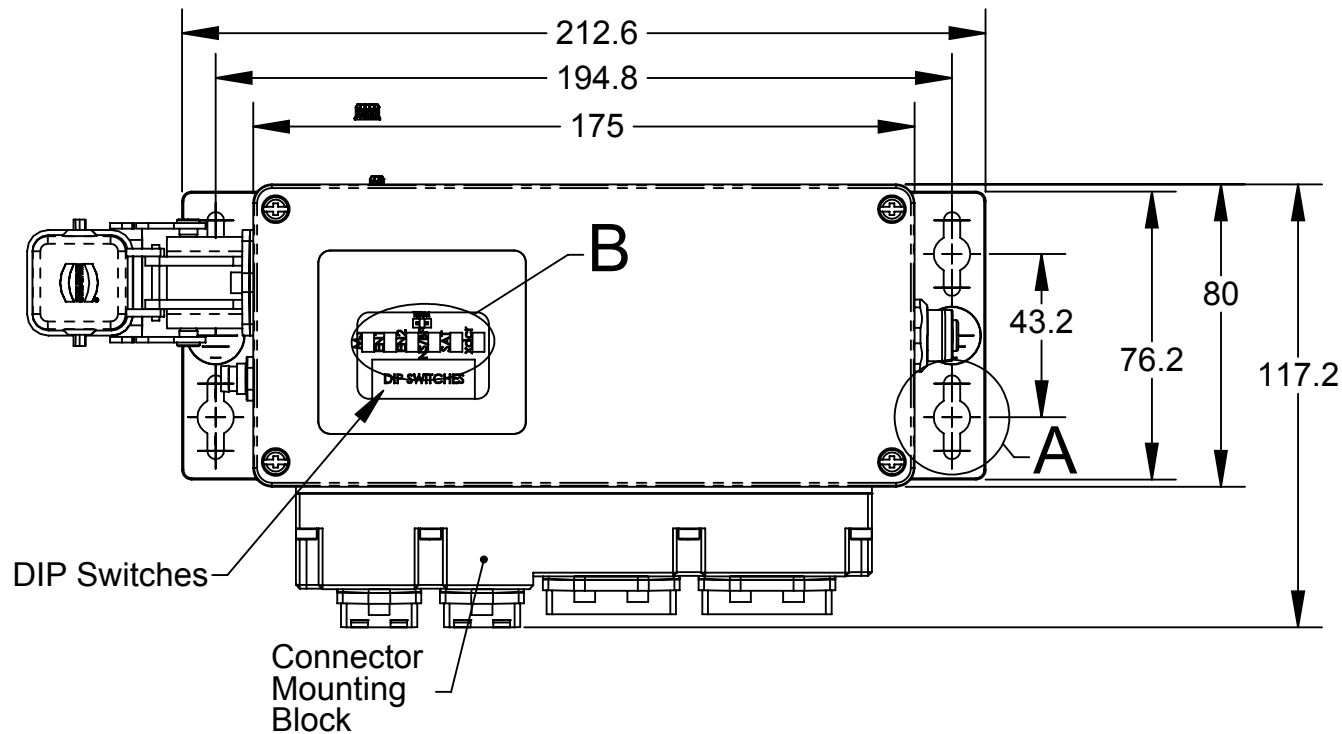
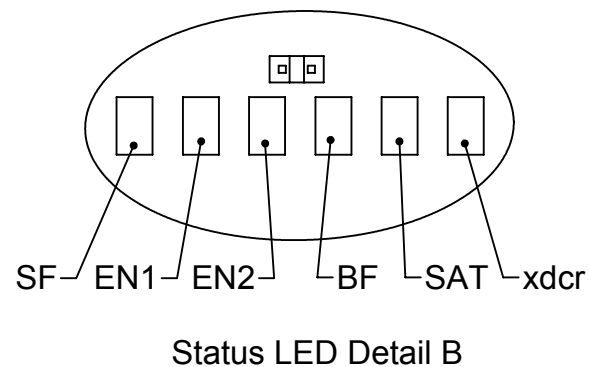
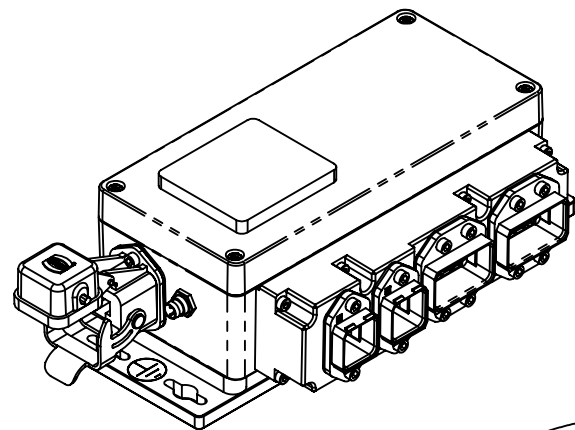


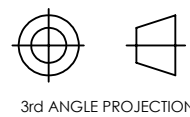
Rev.	Description	Initiator	Date
03	Added Spacer Plates	LCS	9/13/2013



Notes:
1. Connector pin designations shown on Sheet 2.

NOTES: UNLESS OTHERWISE SPECIFIED.

DO NOT SCALE DRAWING. ALL DIMENSIONS ARE IN MILLIMETERS.



1031 Goodworth Drive, Apex, NC 27539, USA
Tel: +1.919.772.0115 Email: info@ati-ia.com
Fax: +1.919.772.8259 www.ati-ia.com
ISO 9001 Registered Company

PROPERTY OF ATI INDUSTRIAL AUTOMATION, INC. NOT TO BE REPRODUCED IN ANY MANNER EXCEPT ON ORDER OR WITH PRIOR WRITTEN AUTHORIZATION OF ATI.

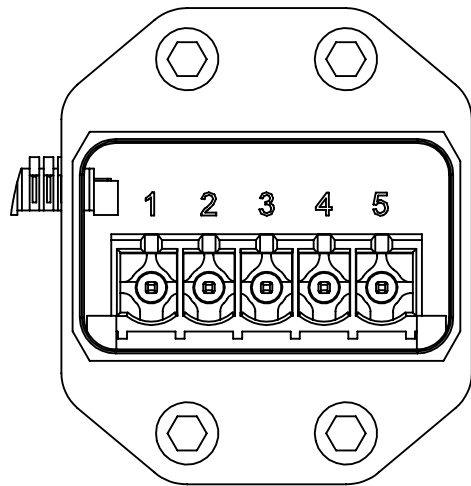
DRAWN BY: J. Walser 10/26/2012

CHECKED BY: R. Chambers 10/26/12

PROJECT # 111103-1 SHEET 1 OF 2

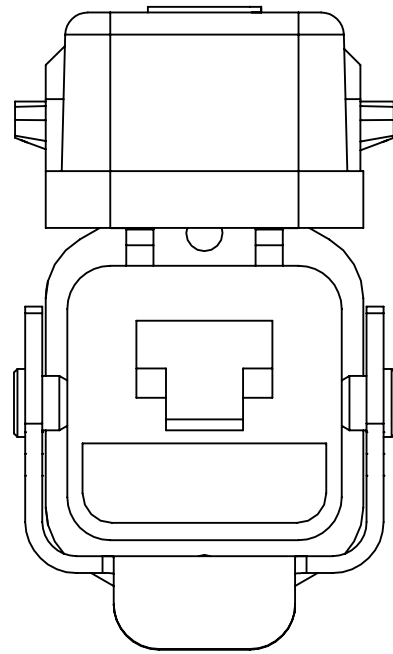
TITLE
Net Box, Profinet w/ AIDA Connectors for Large Transducers w/ Internal Electronics (9105-NETB-PN2)

SCALE	SIZE	DRAWING NUMBER	REVISION
1:2	B	9230-05-1438	03



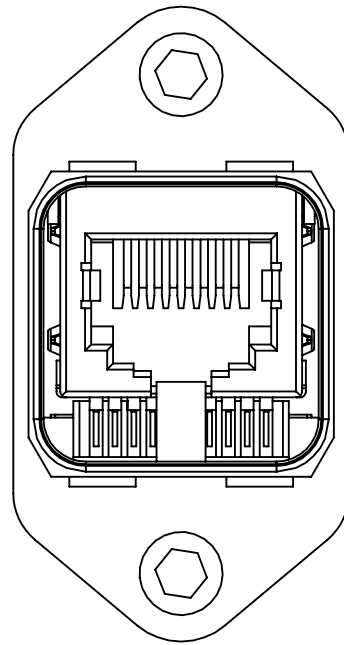
Power Connector IN / OUT
Phoenix Contact 5-Pin Male
Header: 1609565
Panel Mounting Frame: 1608087

Power Connector	
1	US1+ (L1)
2	US1- (N1)
3	US2+ (L2)
4	US2- (N2)
5	FE



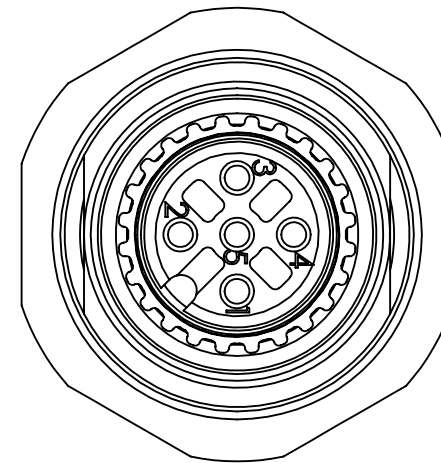
Configuration Connector
Harting RJ45
TB 09 45 215 1562

Config Connector	
1	RX1+
2	RX1-
3	TX1+
4	RJ45_4
5	RJ45_5
6	TX1-
7	RJ45_7
8	RJ45_8



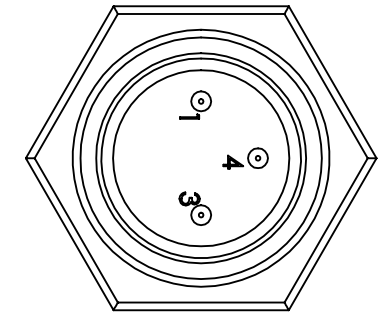
Ethernet Connector IN / OUT
Phoenix Contact RJ45
Socket: 1653090
Panel Mounting Frame: 1608029

Ethernet Connector	
1	RX1+
2	RX1-
3	TX1+
4	RJ45_4
5	RJ45_5
6	TX1-
7	RJ45_7
8	RJ45_8



Transducer Connector
Turck eurofast 5-Pin M12 Female
FKFDLV 57

Transducer Connector	
1	Drain
2	V+
3	V-
4	CAN_H
5	CAN_L

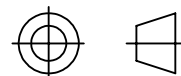


Monitor Relay Connector
Turck picofast 3-Pin M8 Male
MFSS 3-0.2

Monitor Relay Connector	
1	Vreturn
3	Vsupply
4	Reserved

NOTES: UNLESS OTHERWISE SPECIFIED.

DO NOT SCALE DRAWING. ALL DIMENSIONS ARE IN MILLIMETERS.



3rd ANGLE PROJECTION



1031 Goodworth Drive, Apex, NC 27539, USA
Tel: +1.919.772.0115 Email: info@ati-ia.com
Fax: +1.919.772.8259 www.ati-ia.com
ISO 9001 Registered Company

PROPERTY OF ATI INDUSTRIAL AUTOMATION, INC. NOT TO BE REPRODUCED IN ANY MANNER EXCEPT ON ORDER OR WITH PRIOR WRITTEN AUTHORIZATION OF ATI.

DRAWN BY: J. Walser 10/26/2012

CHECKED BY: R. Chambers 10/26/12

PROJECT # 111103-1 SHEET 2 OF 2

TITLE
Net Box, Profinet w/ AIDA Connectors for Large Transducers w/ Internal Electronics (9105-NETB-PN2)

SCALE
1:2

SIZE
B

DRAWING NUMBER
9230-05-1438

REVISION
03