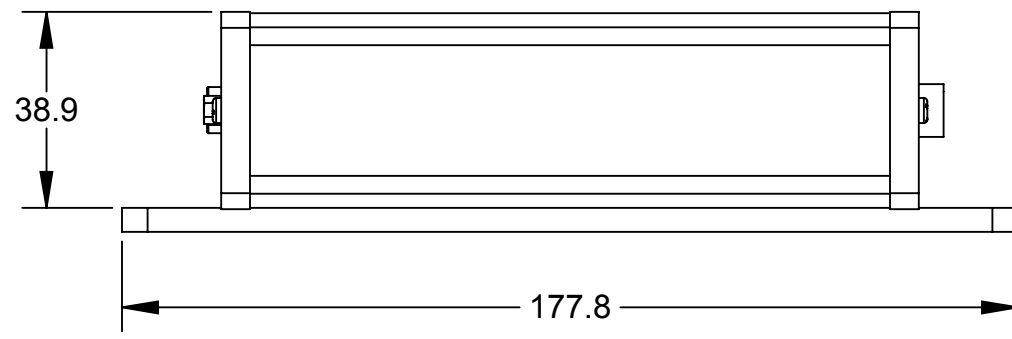
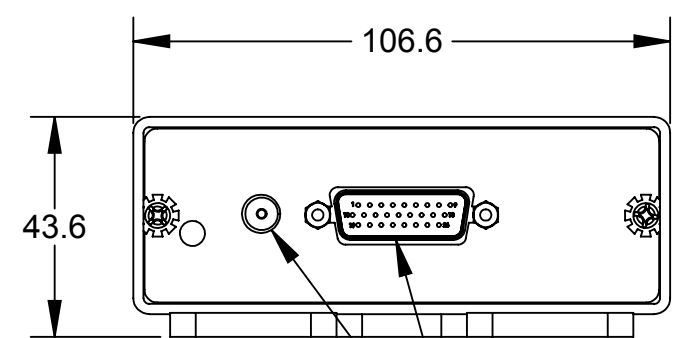
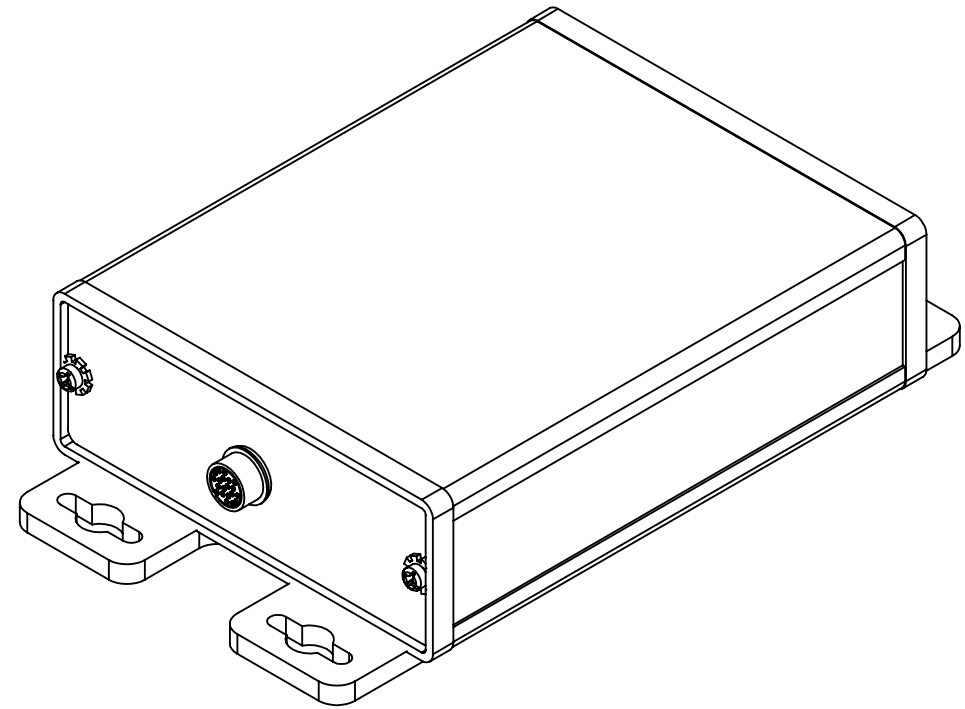
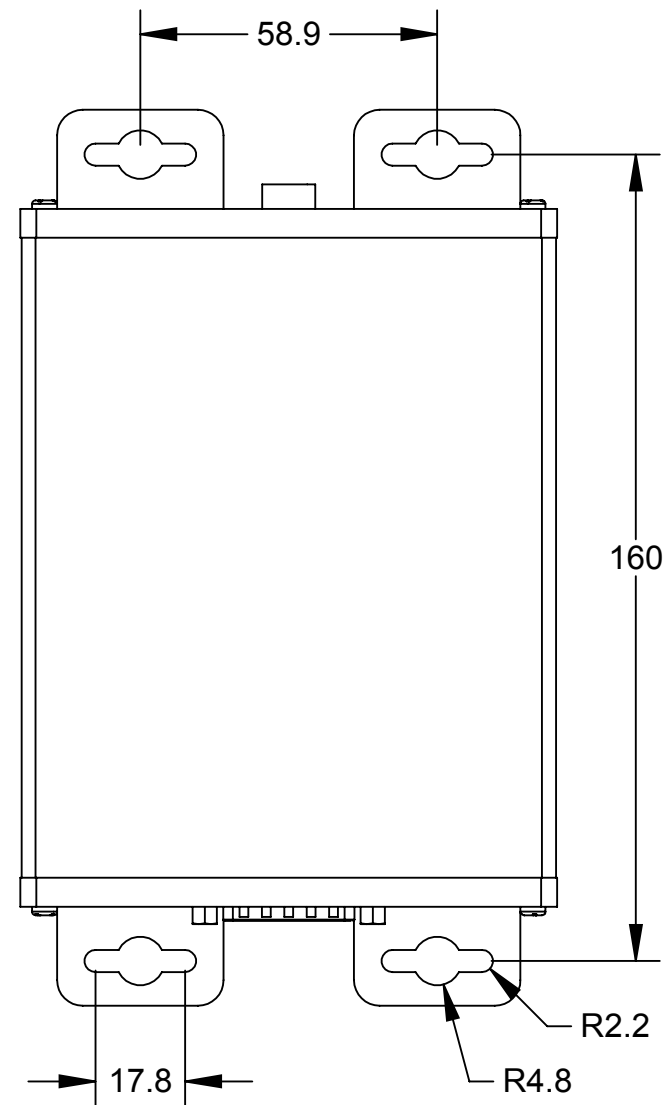
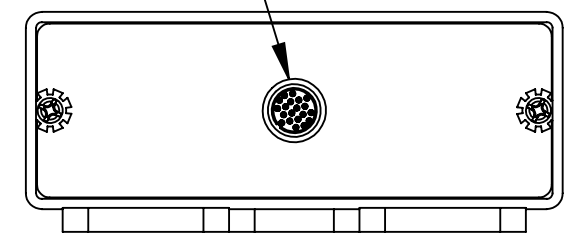


Rev.	Description	Initiator	Date
02	EC9124: Updated Housing	RKC	11/9/2011
03	ECO12894 RoHS update	ELB	12/16/2014

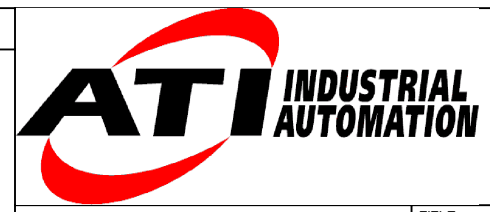


Allow 60mm clearance beyond faceplate for connector mate and cable



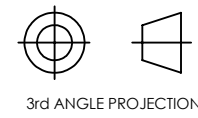
Allow 80mm clearance beyond faceplate for connector mate and cable

NOTES: UNLESS OTHERWISE SPECIFIED
DO NOT SCALE DRAWING. DRAWN IN SOLIDWORKS.
ALL DIMENSIONS ARE IN MILLIMETERS.



1031 Goodworth Drive, Apex, NC 27539, USA
Tel: +1.919.772.0115 Email: info@ati-ia.com
Fax: +1.919.772.8259 www.ati-ia.com
ISO 9001 Registered Company

PROPERTY OF ATI INDUSTRIAL AUTOMATION, INC. NOT TO BE REPRODUCED IN ANY MANNER EXCEPT ON ORDER OR WITH PRIOR WRITTEN AUTHORIZATION OF ATI.



DRAWN BY: C. Sturgis 4/14/10		TITLE: DAQ Power Supply	
CHECKED BY: D. Perry 4/14/10		SCALE: 1:1.5	REVISION: 03
WEIGHT LBS:	ASSEMBLY REF:	SIZE: B	DRAWING NUMBER: 9230-05-1370
PRODUCT RELEASE # -		DATE:	SHEET 1 OF 1