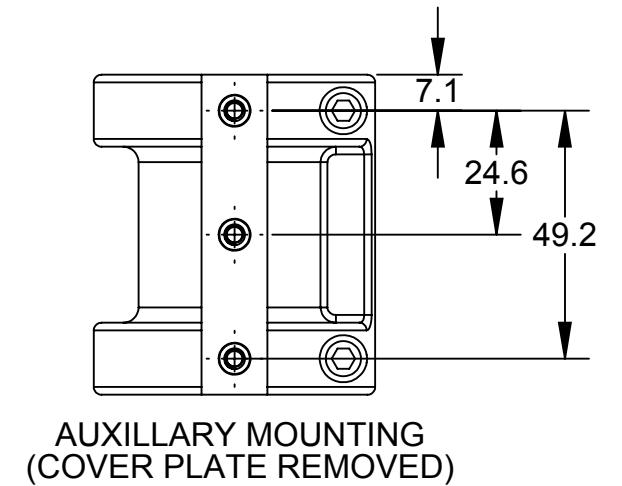
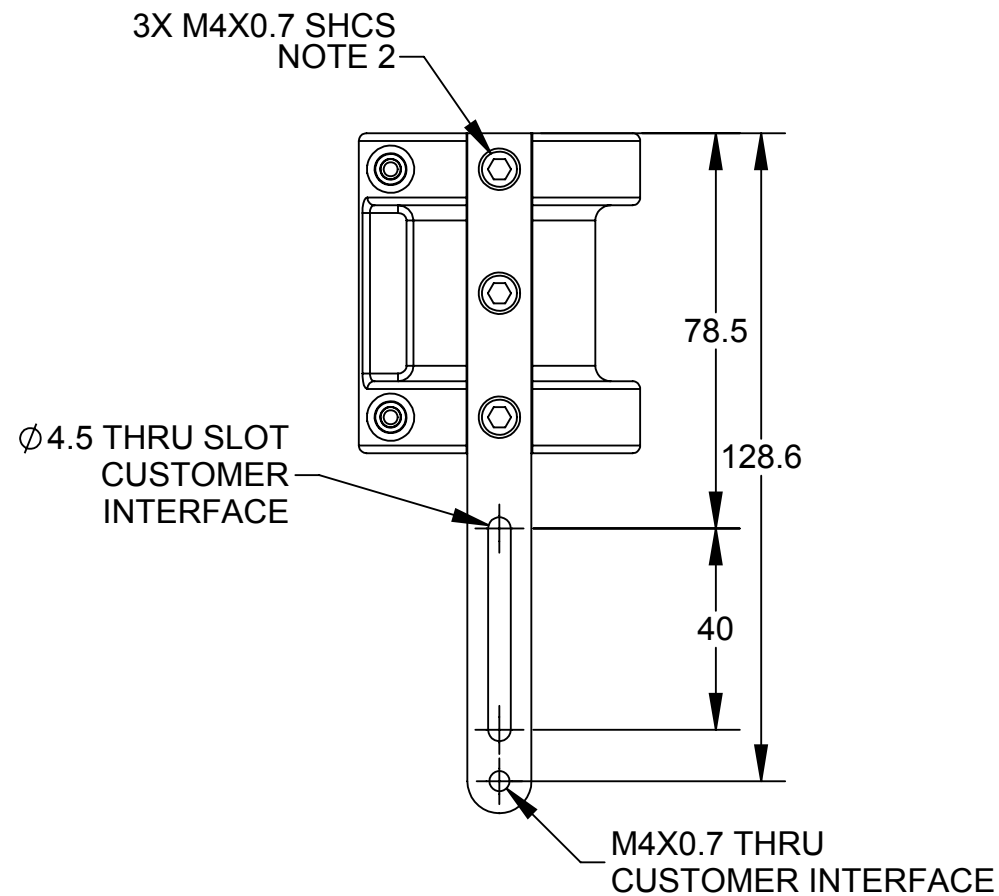
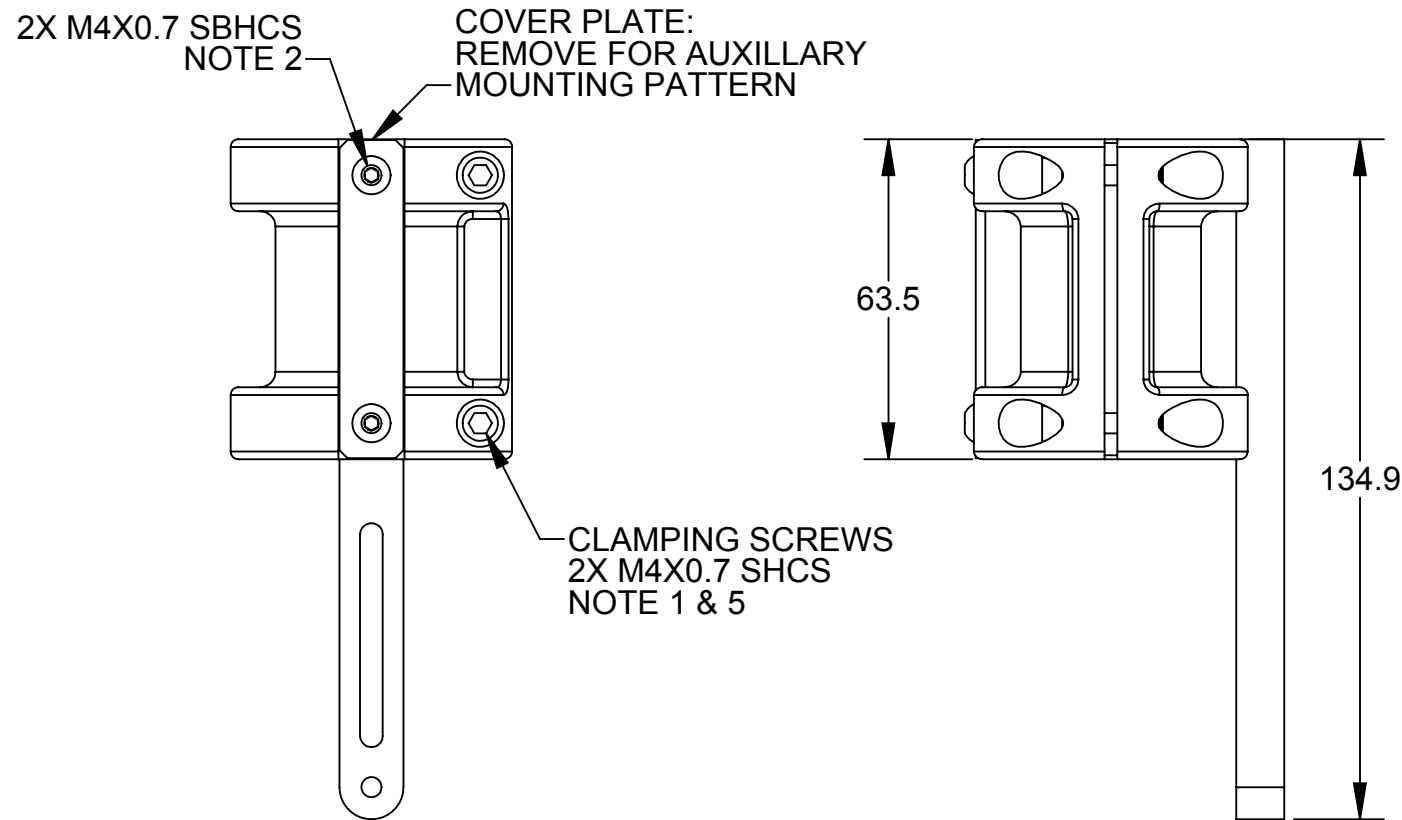
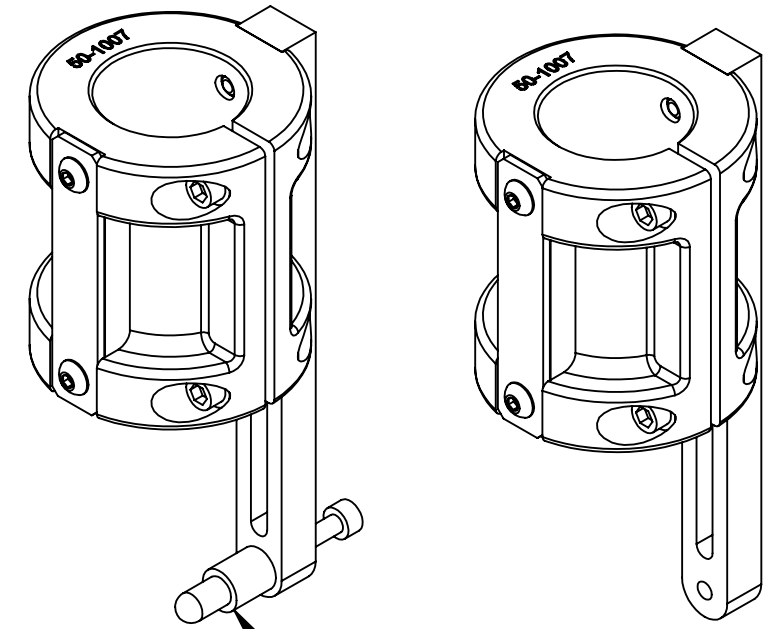
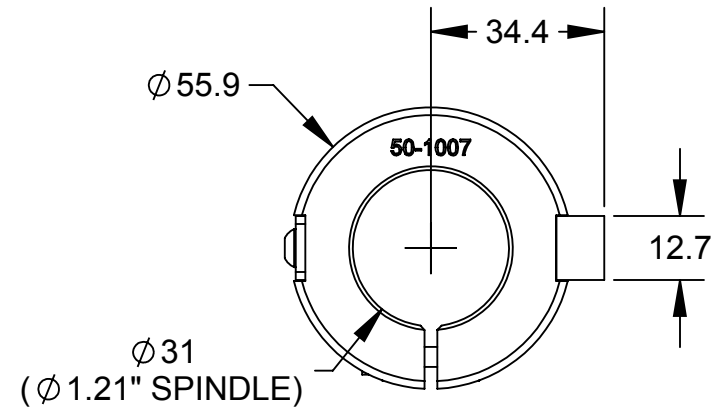


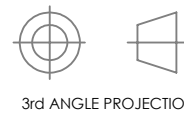
REV.	DESCRIPTION	INITIATOR	DATE
01	INITIAL DRAWING	BRR	12/6/2019



- Notes:
1. CLAMPING SCREWS TO BE TORQUED TO 6IN-LBS WHEN INSTALLING ON TOOL.
 2. IF REMOVED, APPLY LOCTITE 222 OR EQUIVALENT AND TORQUE TO 10IN-LBS.
 3. COMPATIBLE WITH ALL RCV-490 MODELS.
 4. ITEMS SHIP LOOSE WITH UNIT.
 5. APPLY LOCTITE 222 OR EQUIVALENT TO INTERNAL M4 THREADED INSERT.
 6. ALL M4 SHCS HOLDING ALUMINUM ARM TO CLAMP MUST BE PROPERLY INSTALLED THRU BAR AT ALL TIMES.

NOTES: UNLESS OTHERWISE SPECIFIED.

DO NOT SCALE DRAWING. ALL DIMENSIONS ARE IN MILLIMETERS.



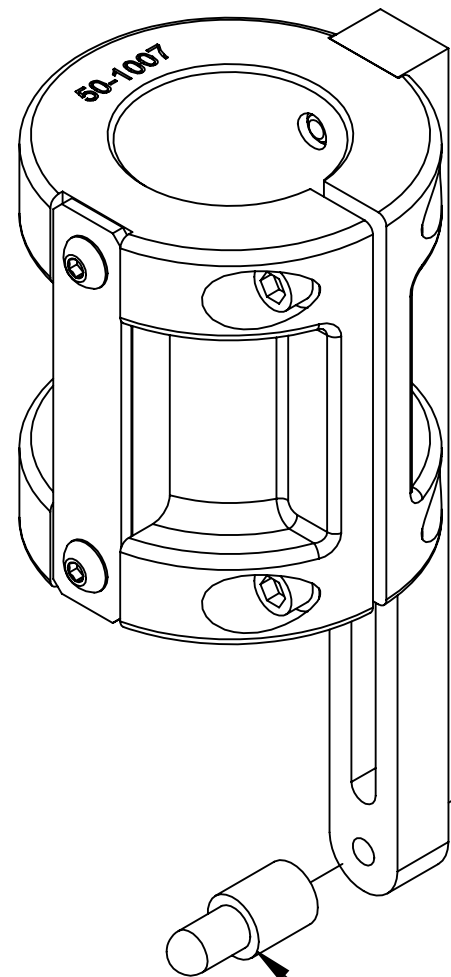
3rd ANGLE PROJECTION



1031 Goodworth Drive, Apex, NC 27539, USA
 Tel: +1.919.772.0115 Email: info@ati-ia.com
 Fax: +1.919.772.8259 www.ati-ia.com
 ISO 9001 Registered Company

PROPERTY OF ATI INDUSTRIAL AUTOMATION, INC. NOT TO BE REPRODUCED IN ANY MANNER EXCEPT ON ORDER OR WITH PRIOR WRITTEN AUTHORIZATION OF ATI.

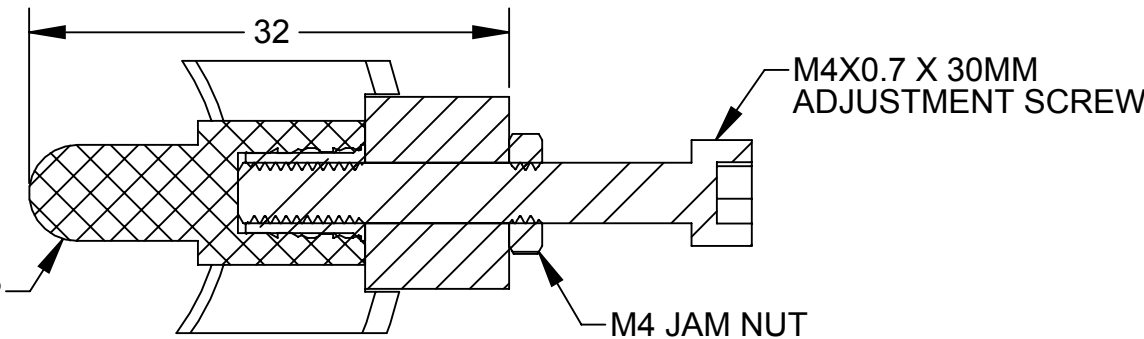
DRAWN BY: B. Rose - 12/5/2019		TITLE	
CHECKED BY: D. Bohle - 12/6/2019		Profile Follower Customer Drawing, 1.21" Spinde Mount	
PROJECT # 180507-1	SHEET 1 OF 2	SCALE 2:3	SIZE B
		DRAWING NUMBER 9630-50-RC-A-PF3	REVISION 01



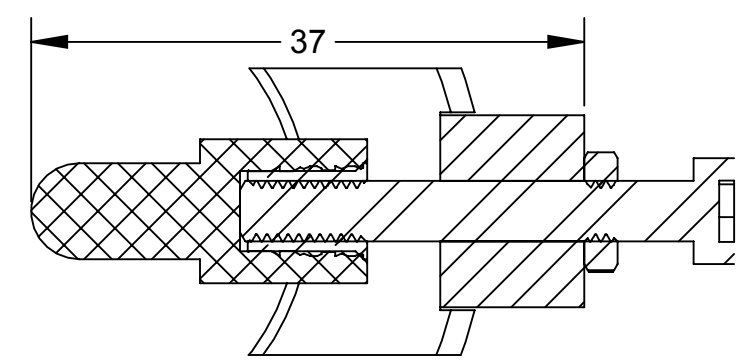
3500-1062030-12
NOTE 4

3505-0862002-12
NOTE 4

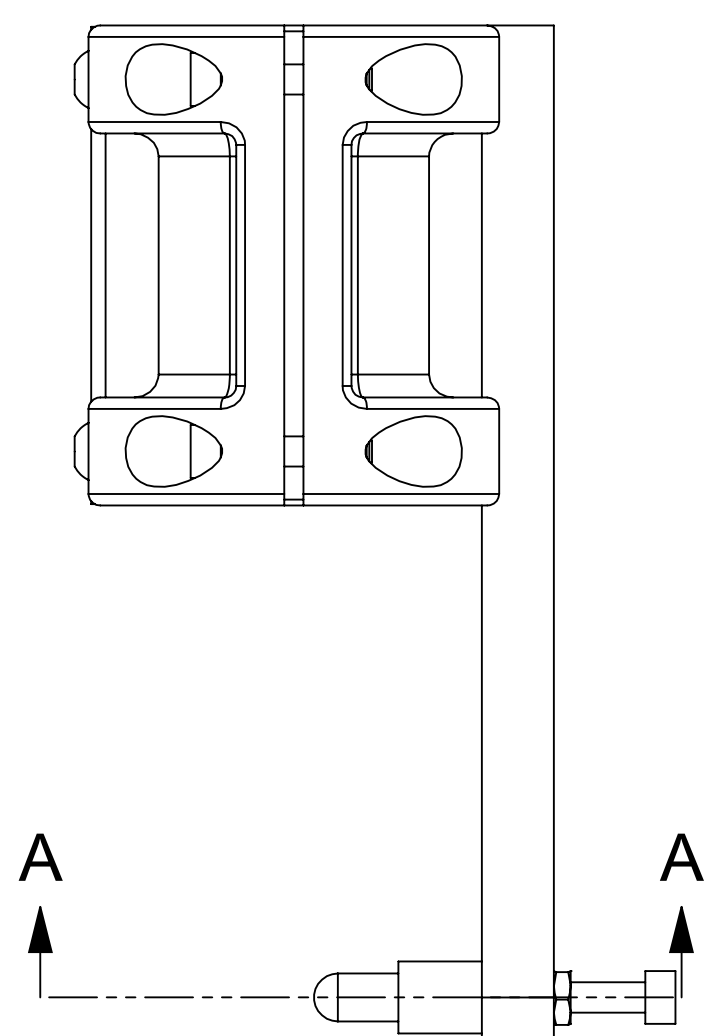
3730-50-1001
NOTE 4 & 5



DETAIL B
SCALE 2 : 1

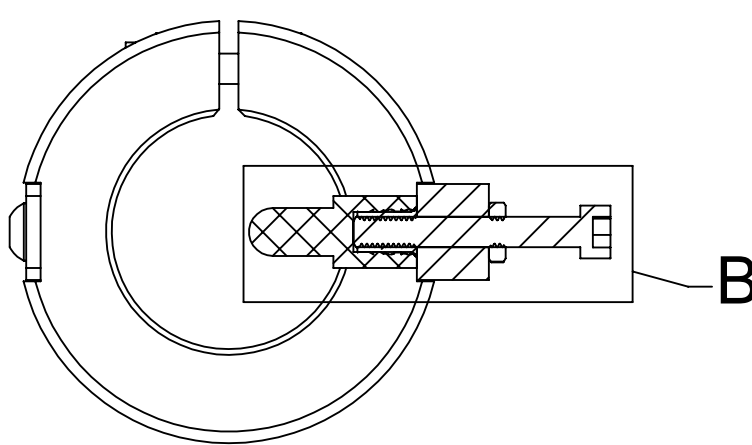


DETAIL D
SCALE 2 : 1
FOLLOWER TIP SHOWN FULLY ADJUSTED

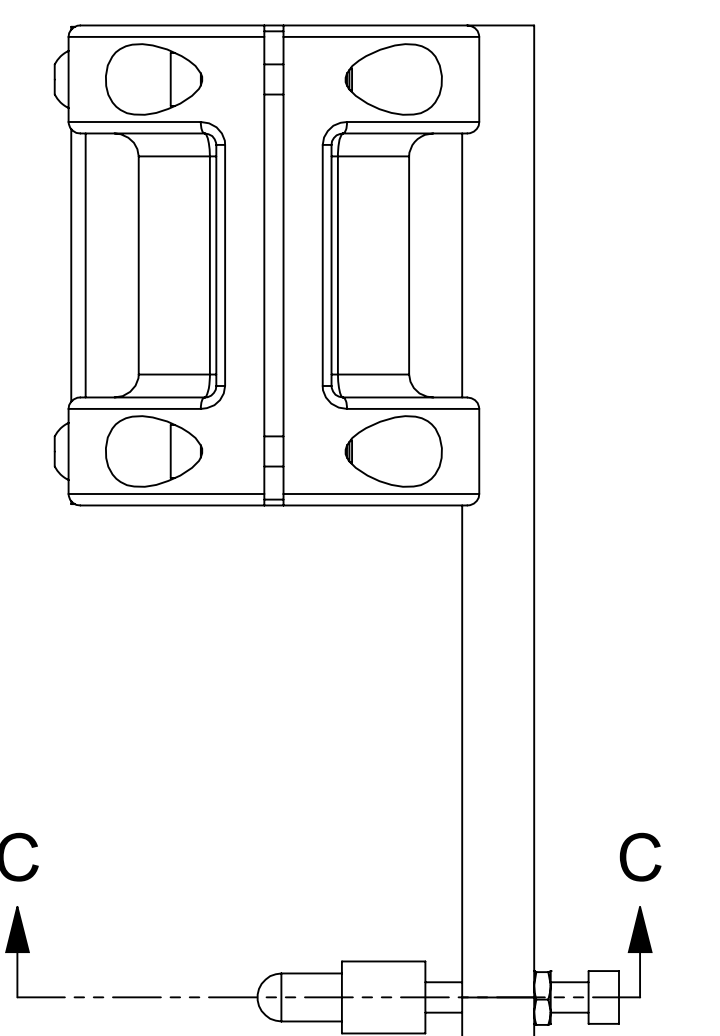


A

A

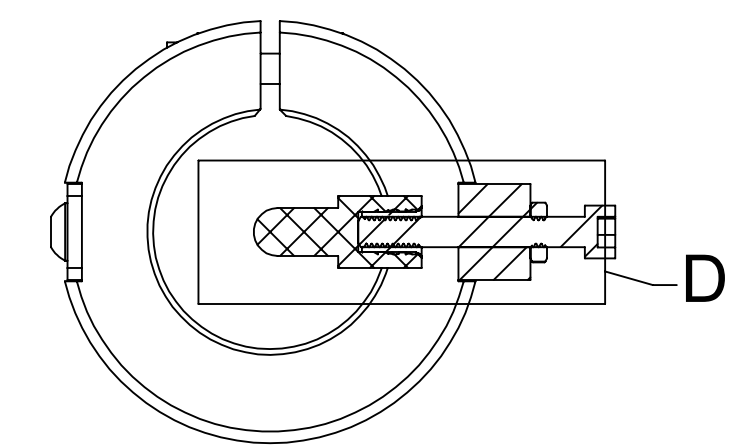


SECTION A-A



C

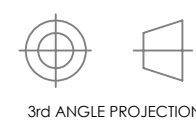
C



SECTION C-C

NOTES: UNLESS OTHERWISE SPECIFIED.

DO NOT SCALE DRAWING. ALL DIMENSIONS ARE IN MILLIMETERS.



3rd ANGLE PROJECTION

		1031 Goodworth Drive, Apex, NC 27539, USA Tel: +1.919.772.0115 Email: info@ati-ia.com Fax: +1.919.772.8259 www.ati-ia.com ISO 9001 Registered Company		
		PROPERTY OF ATI INDUSTRIAL AUTOMATION, INC. NOT TO BE REPRODUCED IN ANY MANNER EXCEPT ON ORDER OR WITH PRIOR WRITTEN AUTHORIZATION OF ATI.		
DRAWN BY: B. Rose - 12/5/2019 CHECKED BY: D. Bohle - 12/6/2019		TITLE Profile Follower Customer Drawing, 1.21" Spinde Mount		
PROJECT # 180507-1	SHEET 2 OF 2	SCALE 1:1	SIZE B	DRAWING NUMBER 9630-50-RC-A-PF3
				REVISION 01