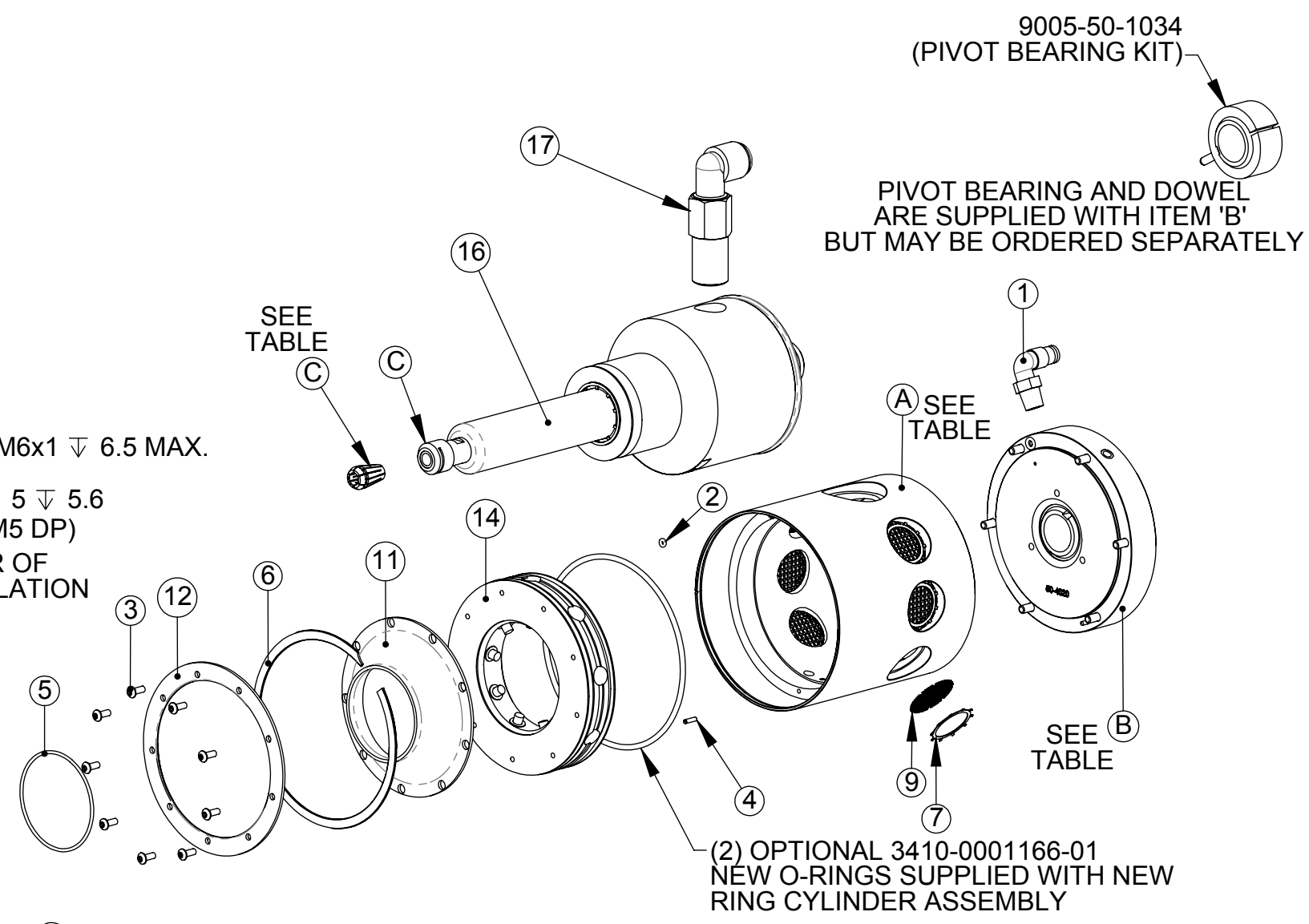
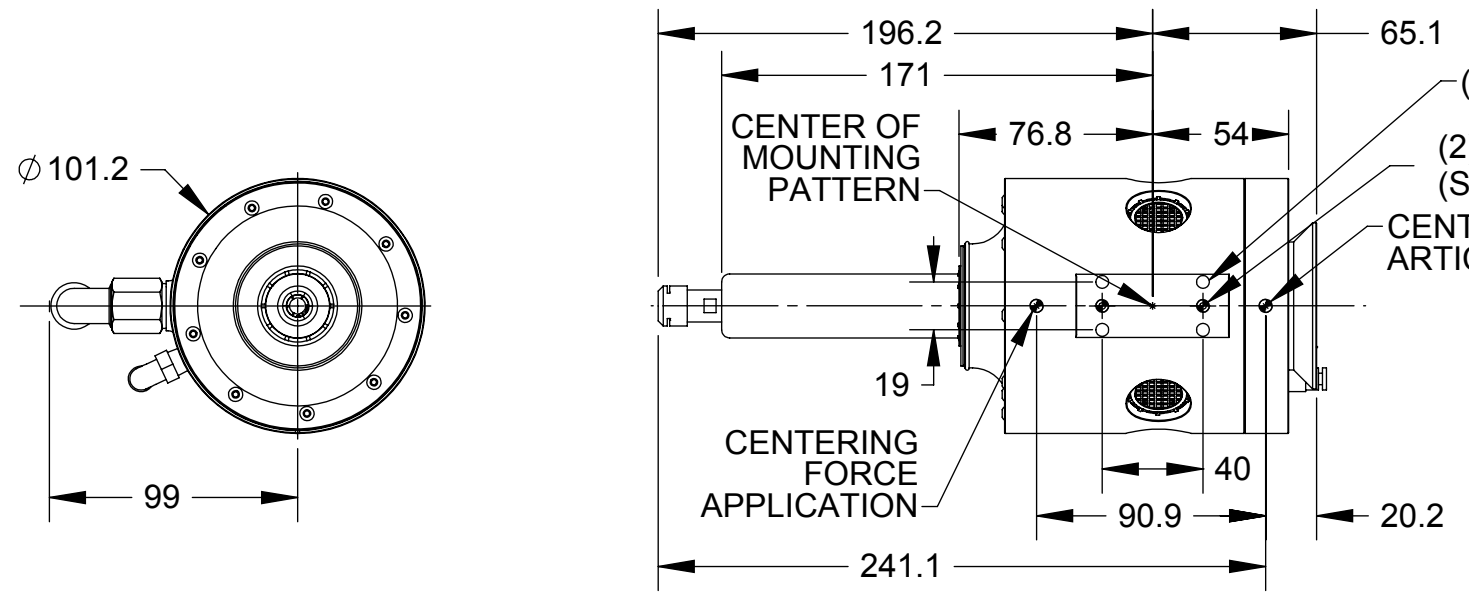


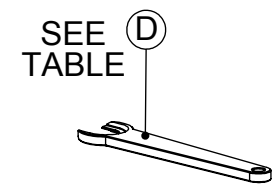
Rev.	Description	Initiator	Date
06	Eco 15098; Added 6mm collet 9150-RC-C-22768	LJH	12/12/16
07	Eco 17541; Removed 3405-1220031-01, tube adapter.	LJH	1/8/2019

ITEM NO.	QTY.	PART NUMBER	DESCRIPTION
1	1	3405-2210001-01	1/8NPT Swivel Elbow, 5/32 (4mm) PL Tubing
2	1	3410-0001151-01	O-RING, 1/16 x 1/16
3	9	3500-1158008-21	M3 x 8mm SBHCS, SS
4	1	3540-0102008-11	Dowel, M2 x 8mm, Alloy Steel
5	1	3610-0355001-21	GARTER SPRING, RC 660 5.5"
6	1	3690-1500001-11	RETAINING RING, VH-381
7	6	3690-7500003-11	RET.,INT. 1" 5005-100
8	1	3690-8200001-11	RET.,INT. 1.25" 5005-125
9	6	3700-50-3005	DISK, FILTER, FLEXDEBURR
10	1	3700-50-4004	DISK, RUBBER, FLEXDEBURR 660
11	1	3700-50-4005	BOOT, FLEXDEBURR 660
12	1	3700-50-4006	BOOT RING, FLEXDEBURR 660
14	1	9005-50-1025	RING CYLINDER, FLEXDEBURR 660
16	1	9005-50-1033	RC-660-ER Motor Assembly
17	1	9005-50-1040	Spindle Air Supply Fitting Assembly, RC-660, Euro



NOTES:  
IF OLD RING-CYLINDER WILL BE RE-INSTALLED, NEW O-RINGS ARE RECOMMENDED.

ITEM	APPLICATION	QTY.	PART. NO.	DESCRIPTION
A	RC-660-ER	1	3700-50-4000	FRONT HOUSING, ORANGE
	RC-660-ER-E	1	3700-50-4017	FRONT HOUSING, BLACK
B	RC-660-ER	1	9005-50-1031	REAR HOUSING ASSEMBLY, ORANGE
	RC-660-ER-E	1	9005-50-1032	REAR HOUSING ASSEMBLY, BLACK
C	RC-660-ER, & -660-ER-E	OPT.	9150-RC-C-11048	4mm ER-11 COLLET
		OPT.	9150-RC-C-87694477	6mm-1/4" ER-11 COLLET
		OPT.	9150-RC-C-11057	ER-11 COLLET NUT (REGO)
		OPT.	9150-RC-C-22768	6mm ER-11 COLLET
D	RC-660-ER & -660-ER-E	OPT.	9150-RC-T-12475	7/16" COLLET WRENCH
		OPT.	9150-RC-T-11058	ER-11 COLLET WRENCH



NOTES: UNLESS OTHERWISE SPECIFIED.  
DO NOT SCALE DRAWING. ALL DIMENSIONS ARE IN MILLIMETERS.



1031 Goodworth Drive, Apex, NC 27539, USA  
Tel: +1.919.772.0115 Email: info@ati-ia.com  
Fax: +1.919.772.8259 www.ati-ia.com  
ISO 9001 Registered Company

PROPERTY OF ATI INDUSTRIAL AUTOMATION, INC. NOT TO BE REPRODUCED IN ANY MANNER EXCEPT ON ORDER OR WITH PRIOR WRITTEN AUTHORIZATION OF ATI.

DRAWN BY: D.Lawson-8/1/06		TITLE: RC-660-ER Series Service Parts	
CHECKED BY: L.Hines 8/10/06		SCALE: 1:3	REVISION: 07
PROJECT # 060725-1	SHEET 1 OF 1	SIZE: B	DRAWING NUMBER: 9630-50-RC-660-ER SERIES

