

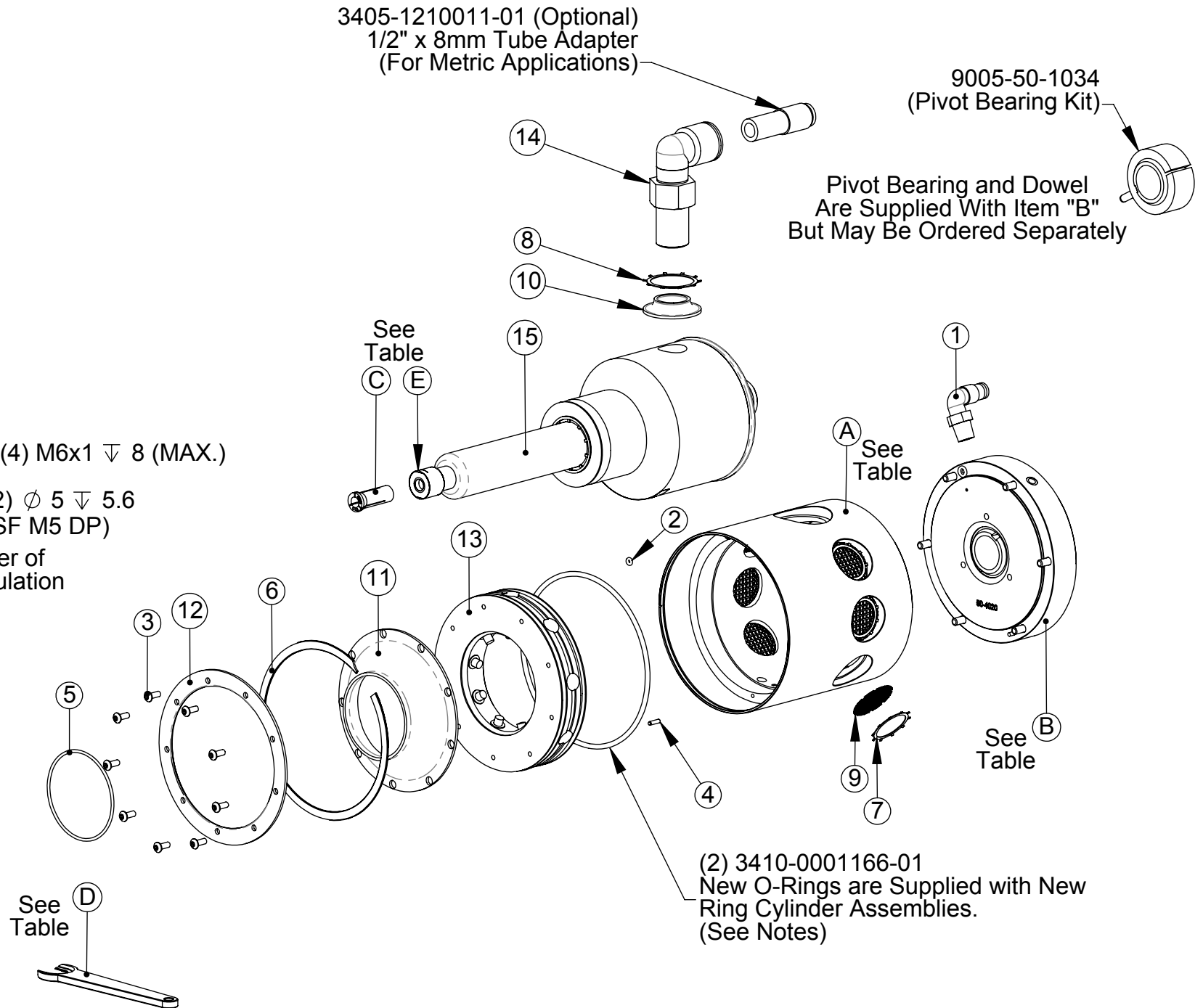
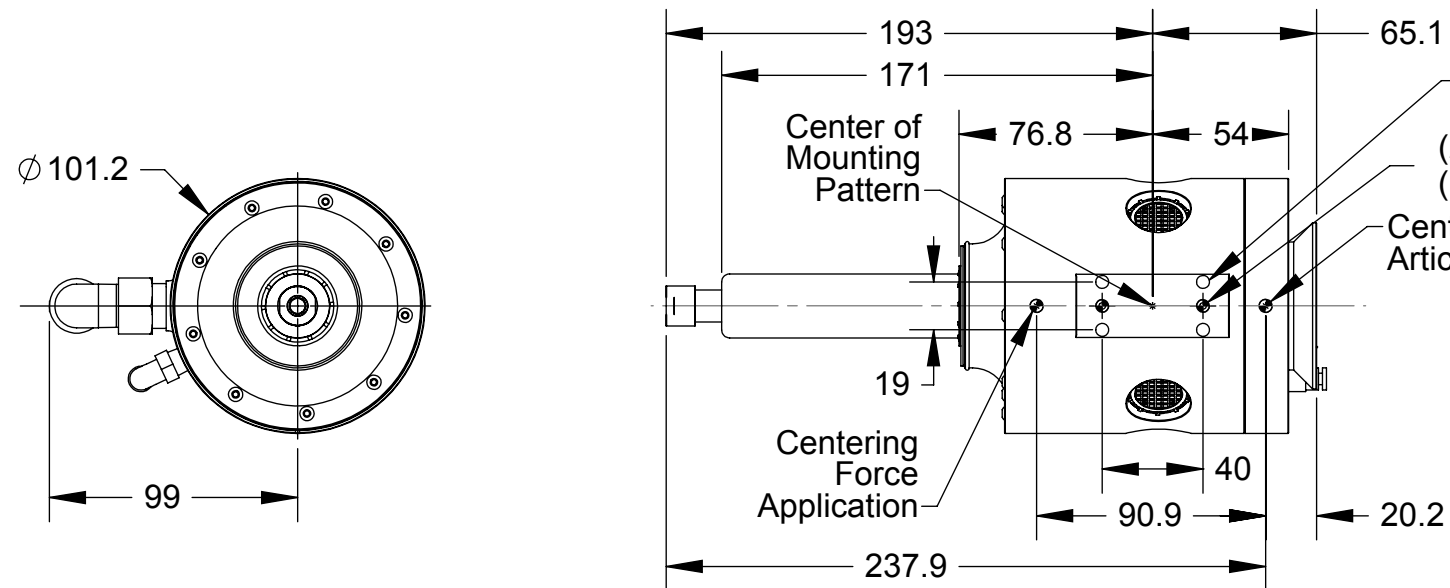
ITEM NO.	QTY.	PART NUMBER	DESCRIPTION
1	1	3405-2210001-01	1/8NPT Swivel Elbow, 5/32 (4mm) PL Tubing
2	1	3410-0001151-01	O-RING, 1/16 x 1/16
3	9	3500-1158008-21	M3 x 8mm SBHCS, SS
4	1	3540-0102008-11	2mm x 8mm Dowel Alloy Steel
5	1	3610-0355001-21	GARTER SPRING, RC 660 5.5"
6	1	3690-1500001-11	RETAINING RING, VH-381
7	6	3690-7500003-11	RET.,INT. 1" 5005-100
8	1	3690-8200001-11	RET.,INT. 1.25" 5005-125
9	6	3700-50-3005	DISK, FILTER, FLEXDEBURR
10	1	3700-50-4004	DISK, RUBBER, FLEXDEBURR 660
11	1	3700-50-4005	BOOT, FLEXDEBURR 660
12	1	3700-50-4006	BOOT RING, FLEXDEBURR 660
13	1	9005-50-1025	RING CYLINDER, FLEXDEBURR 660
14	1	9005-50-1030	SPINDLE SUPPLY FITTING ASSY., FDB660
15	1	9005-50-1067	FDB-660 Motor Assembly

Rev.	Description	Initiator	Date
03	ECO 8923: Revised tables to indicate "standard" parts.	DKL	8/26/2011

3405-1210011-01 (Optional)  
1/2" x 8mm Tube Adapter  
(For Metric Applications)

9005-50-1034  
(Pivot Bearing Kit)

Pivot Bearing and Dowel  
Are Supplied With Item "B"  
But May Be Ordered Separately

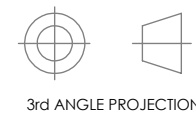


NOTES:  
If the Old Ring-Cylinder Will Be Re-installed, New O-Rings are Recommended.

Item	Application	QTY.	Part. No.	Description
A	RC-660	1	3700-50-4000	Front Housing, Orange
	RC-660-E	1	3700-50-4017	Front Housing, Black
B	RC-660	1	9005-50-1031	Rear Housing Assembly, Orange
	RC-660-E	1	9005-50-1032	Rear Housing Assembly, Black
C OPTIONAL / SPARE COLLETS	All	OPT.	9150-RC-C-12442	3mm Collet
		OPT.	9150-RC-C-12443	1/8" Collet
		OPT.	9150-RC-C-12444	3/16" Collet
		OPT.	9150-RC-C-12445	6mm Collet (Standard with Metric (E) Models)
		OPT.	9150-RC-C-12446	1/4" Collet (Standard with Inch Models)
D	All	OPT.	9150-RC-T-12475	7/16" Collet Wrench
		OPT.	9150-RC-T-12479	9/16" Collet Wrench
E	All	1	9150-RC-C-12449	Collet Nut

NOTES: UNLESS OTHERWISE SPECIFIED.

DO NOT SCALE DRAWING.  
ALL DIMENSIONS ARE IN  
MILLIMETERS.



1031 Goodworth Drive, Apex, NC 27539, USA  
Tel: +1.919.772.0115 Email: info@ati-ia.com  
Fax: +1.919.772.8259 www.ati-ia.com  
ISO 9001 Registered Company

PROPERTY OF ATI INDUSTRIAL AUTOMATION, INC. NOT TO BE REPRODUCED IN ANY MANNER EXCEPT ON ORDER OR WITH PRIOR WRITTEN AUTHORIZATION OF ATI.

DRAWN BY: D.Lawson-8/8/06		TITLE	
CHECKED BY: L.Hines-8/10/06		RC-660 Series, Service Parts	
SCALE	SIZE	DRAWING NUMBER	REVISION
1:3	B	9630-50-RC-660 SERIES	03
PROJECT # 060725-1 SHEET 1 OF 1			