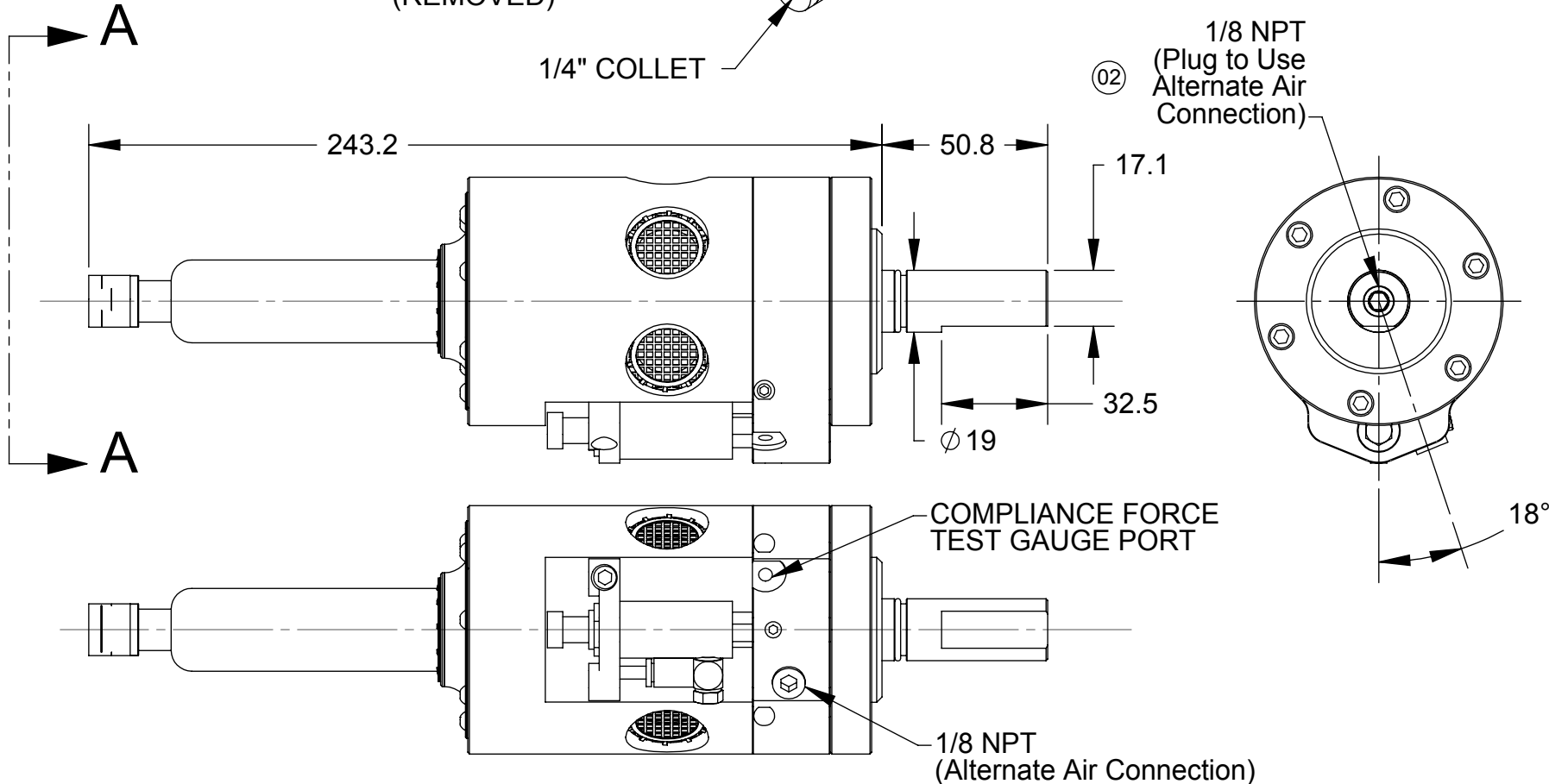
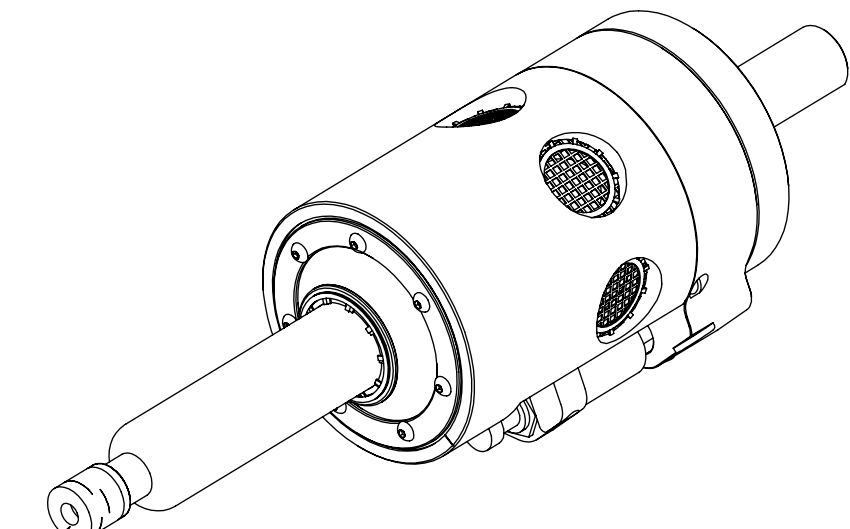
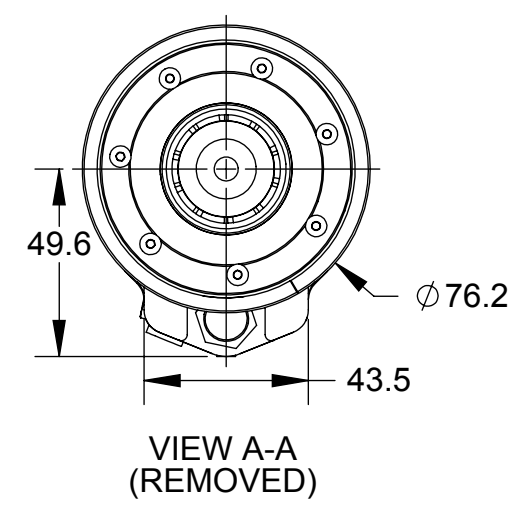
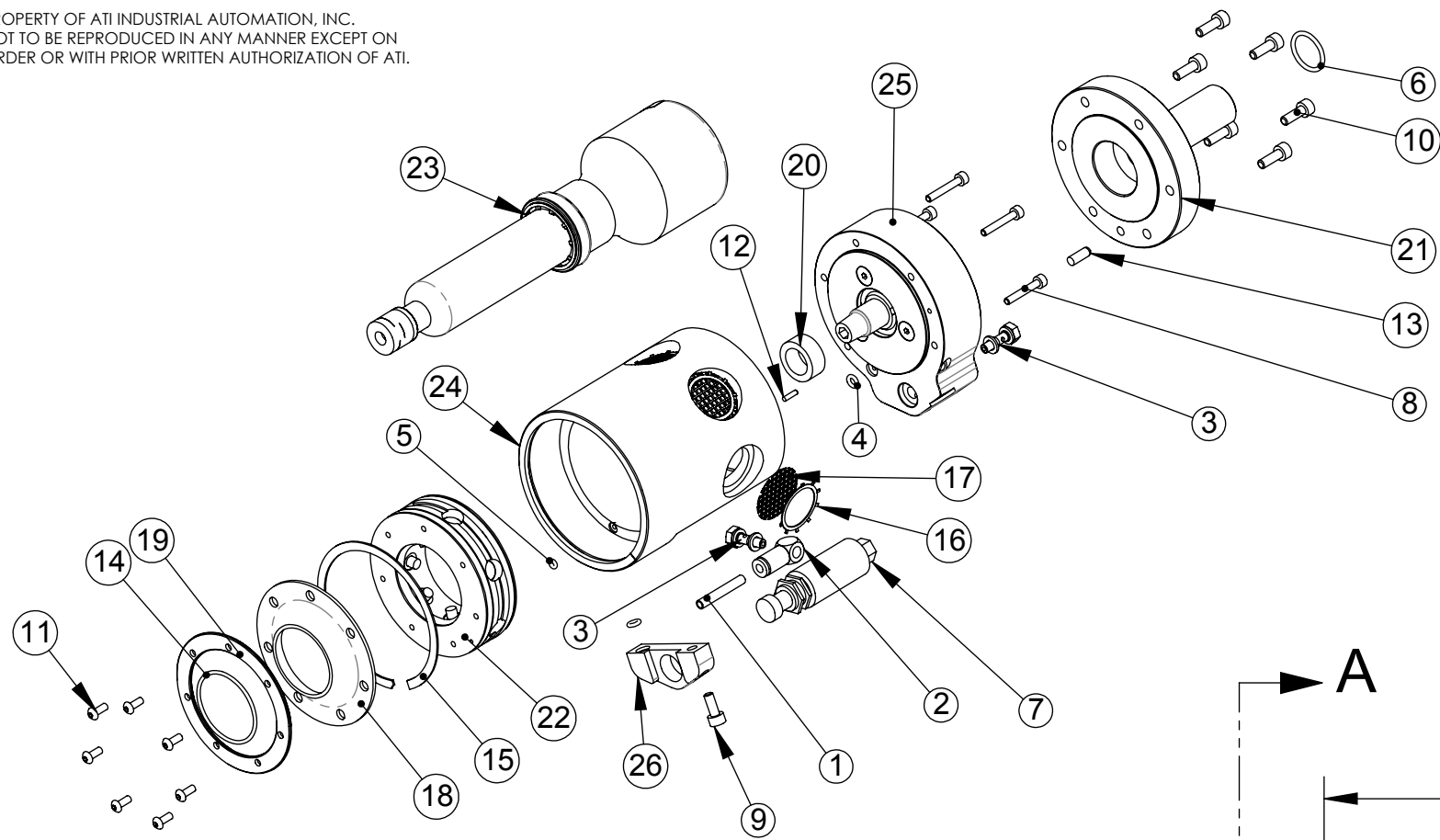
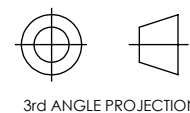


Rev.	Description	Initiator	Date
02	Updated assemblies, Changed product part #, Weldon Shank tap was 1/4 NPT	DKL	6/2/2006



ITEM NO.	QTY.	PART NUMBER	DESCRIPTION
1	1	3400-0010001-01	5/32" TUBE, Black, 1-1/16"LG
2	1	3405-2210007-01	BANJO, #Camozzi 6610-53-32
3	2	3405-2210008-01	BANJO BOLT, #CAMOZZI 1631-01-32
4	2	3410-0001016-01	O-ring 1/16 x 1/8 I.D. x 1/4 O.D.
5	1	3410-0001151-01	O-RING, 1/16 x 1/16
6	1	3410-0001184-01	O-RING, 5/8 x 1/16 (AS568-16)
7	1	3425-0010004-01	REGULATOR, #CLIPPARD MAR-1
8	5	3500-1058020-12	M3 x 20mm SHCS Zinc
9	1	3500-1062010-12	M4 x 10mm SHCS Zinc
10	6	3500-1062012-12	M4 x 12mm SHCS Zinc
11	7	3500-1158008-21	M3 X 8 BHCS, SS
12	2	3540-0102008-11	Dia 2mm x 8mm Dowel Pin
13	1	3540-0104012-11	4mm x 12mm Dowel Alloy Steel
14	1	3610-0340001-21	GARTER SPRING, FLEX 340
15	1	3690-1200001-11	RET.INT. 2.76", UR-268
16	5	3690-7500003-11	RET.,INT. 1" 5005-100
17	5	3700-50-3005	DISK, FILTER, FLEXDEBURR
18	1	3700-50-3007	BOOT, FLEXDEBURR 340
19	1	3700-50-3008	RING, BOOT, FLEXDEBURR 340
20	1	3700-50-3028	PIVOT POST COLLAR, FDBCNC 340
21	1	3700-50-3042	WELDON POST 3/4"-19mm, FDBCNC 340
22	1	9005-50-1000	RING CYLINDER, FLEXDEBURR 340
23	1	9005-50-1068	RC-CNC-340 Motor Assembly
24	1	3700-50-3025	FRONT HOUSING, FDBCNC 340
25	1	9005-50-1011	REAR HOUSING ASSY., FDBCNC
26	1	9005-50-1013	REGULATOR FOOT

NOTES: UNLESS OTHERWISE SPECIFIED  
 DO NOT SCALE DRAWING. DRAWN IN SOLIDWORKS.  
 ALL DIMENSIONS ARE IN MILLIMETERS.



1031 Goodworth Drive, Apex, NC 27539, USA  
 Tel: +1.919.772.0115 Email: info@ati-ia.com  
 Fax: +1.919.772.8259 www.ati-ia.com  
 ISO 9001 Registered Company

DRAWN BY: D.Lawson-4/30/04	TITLE RC-340-CNC DIMENSIONS & MAJOR PARTS		
CHECKED BY: J.Snape-8/10/04	SCALE 1:2	SIZE B	DRAWING NUMBER 9630-50-RC-340-CNC-02
WEIGHT LBS: 2.88 lbs	PRODUCT RELEASE # 030922-1		DATE:
ASSEMBLY REF:	SHEET 1		OF 1