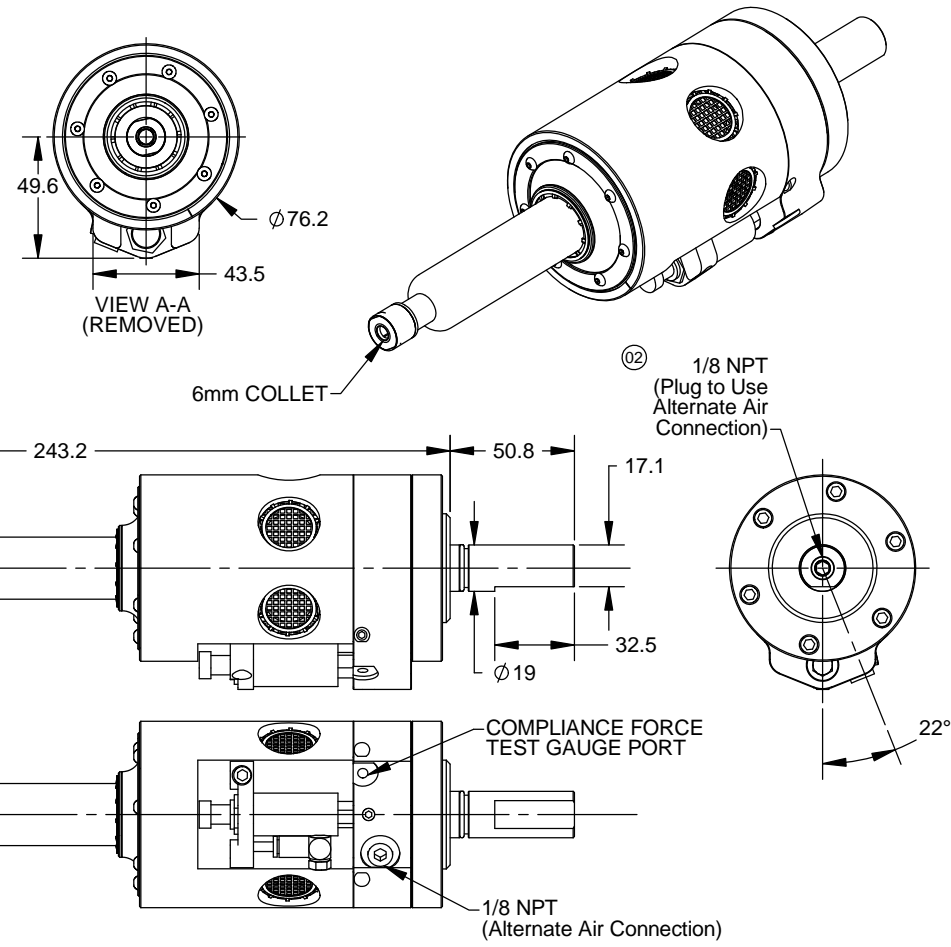
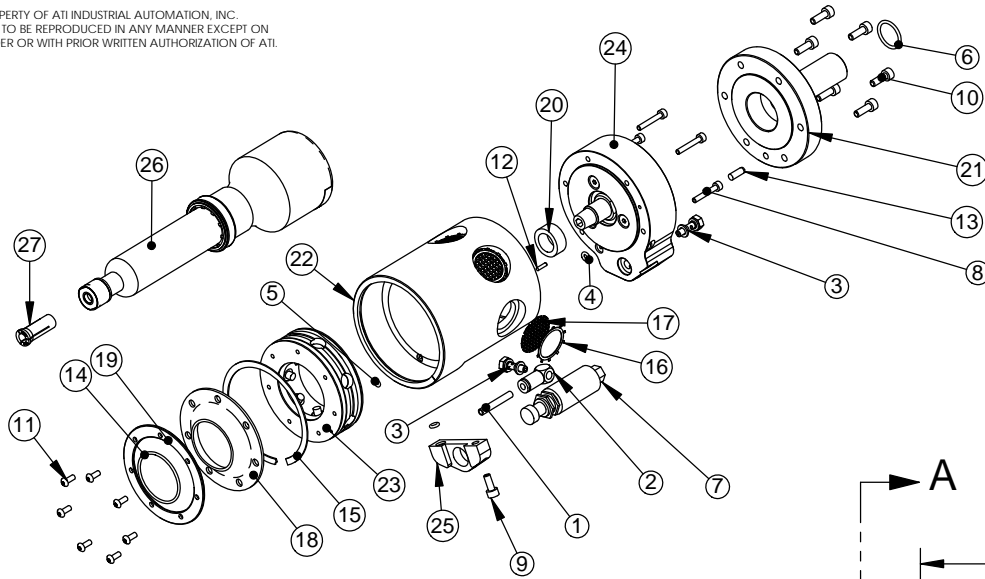


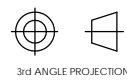
PROPERTY OF ATI INDUSTRIAL AUTOMATION, INC.
 NOT TO BE REPRODUCED IN ANY MANNER EXCEPT ON
 ORDER OR WITH PRIOR WRITTEN AUTHORIZATION OF ATI.

| Rev. | Description | Initiator | Date |
|------|--|-----------|----------|
| 02 | Updated assemblies, Changed product part #, Weldon Shank tap was 1/4 NPT | DKL | 6/2/2006 |



| ITEM NO. | QTY. | PART NUMBER | DESCRIPTION |
|----------|------|-----------------|-----------------------------------|
| 1 | 1 | 3400-0010001-01 | 5/32" TUBE, Black, 1-1/16"LG |
| 2 | 1 | 3405-2210007-01 | BANJO, #Camozzi 6610-53-32 |
| 3 | 2 | 3405-2210008-01 | BANJO BOLT, #CAMOZZI 1631-01-32 |
| 4 | 2 | 3410-0001016-01 | O-ring 1/16 x 1/8 I.D. x 1/4 O.D. |
| 5 | 1 | 3410-0001151-01 | O-RING, 1/16 x 1/16 |
| 6 | 1 | 3410-0001184-01 | O-RING, 5/8 x 1/16 (AS568-16) |
| 7 | 1 | 3425-0010004-01 | REGULATOR, #CLIPPARD MAR-1 |
| 8 | 5 | 3500-1058020-12 | M3 x 20mm SHCS Zinc |
| 9 | 1 | 3500-1062010-12 | M4 x 10mm SHCS Zinc |
| 10 | 6 | 3500-1062012-12 | M4 x 12mm SHCS Zinc |
| 11 | 7 | 3500-1158008-21 | M3 X 8 BHCS, SS |
| 12 | 2 | 3540-0102008-11 | Dia 2mm x 8mm Dowel Pin |
| 13 | 1 | 3540-0104012-11 | 4mm x 12mm Dowel Alloy Steel |
| 14 | 1 | 3610-0340001-21 | GARTER SPRING, FLEX 340 |
| 15 | 1 | 3690-1200001-11 | RET.INT. 2.76", UR-268 |
| 16 | 5 | 3690-7500003-11 | RET.,INT. 1" 5005-100 |
| 17 | 5 | 3700-50-3005 | DISK, FILTER, FLEXDEBURR |
| 18 | 1 | 3700-50-3007 | BOOT, FLEXDEBURR 340 |
| 19 | 1 | 3700-50-3008 | RING, BOOT, FLEXDEBURR 340 |
| 20 | 1 | 3700-50-3028 | PIVOT POST COLLAR, FDBCNC 340 |
| 21 | 1 | 3700-50-3042 | WELDON POST 3/4"-19mm, FDBCNC 340 |
| 22 | 1 | 3700-50-3059 | FRONT HOUSING, RC-340-CNC-E |
| 23 | 1 | 9005-50-1000 | RING CYLINDER, FLEXDEBURR 340 |
| 24 | 1 | 9005-50-1014 | REAR HOUSING ASSY., RC-340-CNC-E |
| 25 | 1 | 9005-50-1015 | REGULATOR FOOT, RC-340-CNC-E |
| 26 | 1 | 9005-50-1068 | RC-CNC-340 Motor Assembly |
| 27 | 1 | 9150-RC-C-12445 | COLLET, 6mm, R-300,-340 & -660 |

NOTES: UNLESS OTHERWISE SPECIFIED
 DO NOT SCALE DRAWING. DRAWN IN SOLIDWORKS.
 ALL DIMENSIONS ARE IN MILLIMETERS.



1031 Goodworth Drive, Apex, NC 27539, USA
 Tel: +1.919.772.0115 Email: info@ati-ia.com
 Fax: +1.919.772.8259 www.ati-ia.com
 ISO 9001 Registered Company

| | | | |
|-----------------------------|---|---------|---|
| DRAWN BY: D.Lawson-4/30/04 | TITLE: RC-340-CNC-E DIMENSIONS & MAJOR PARTS | | |
| CHECKED BY: J.Snape-8/10/04 | SCALE: 1:2 | SIZE: B | DRAWING NUMBER: 9630-50-RC-340-CNC-E-02 |
| WEIGHT LBS: 2.88 lbs | PRODUCT RELEASE # 030922-1 DATE: SHEET 1 OF 1 | | |
| ASSEMBLY REF: | | | |