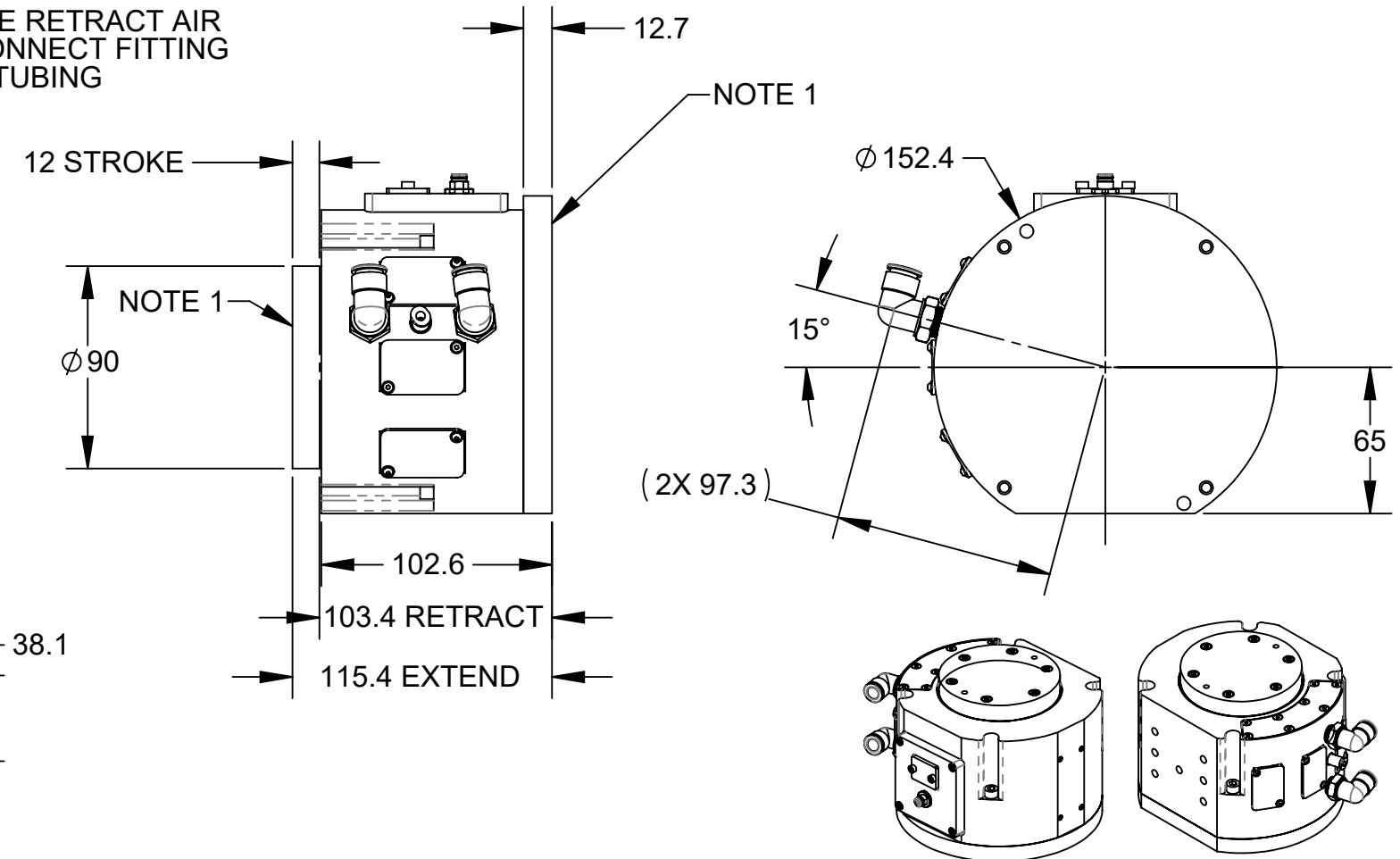
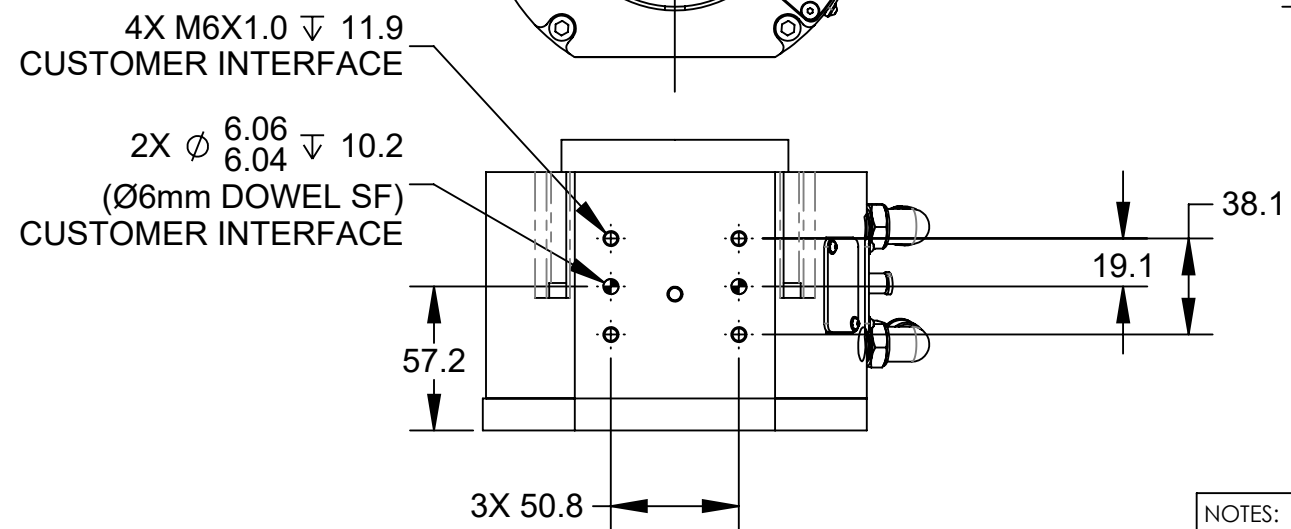
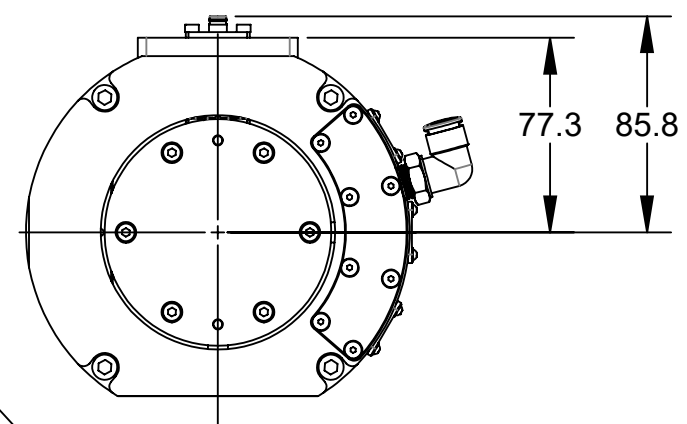
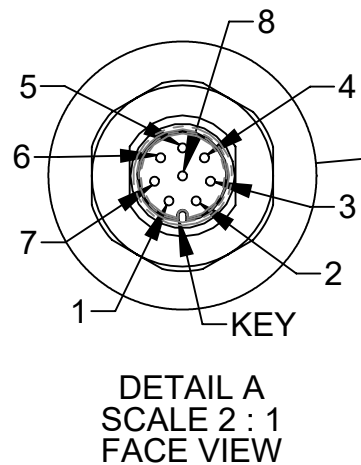
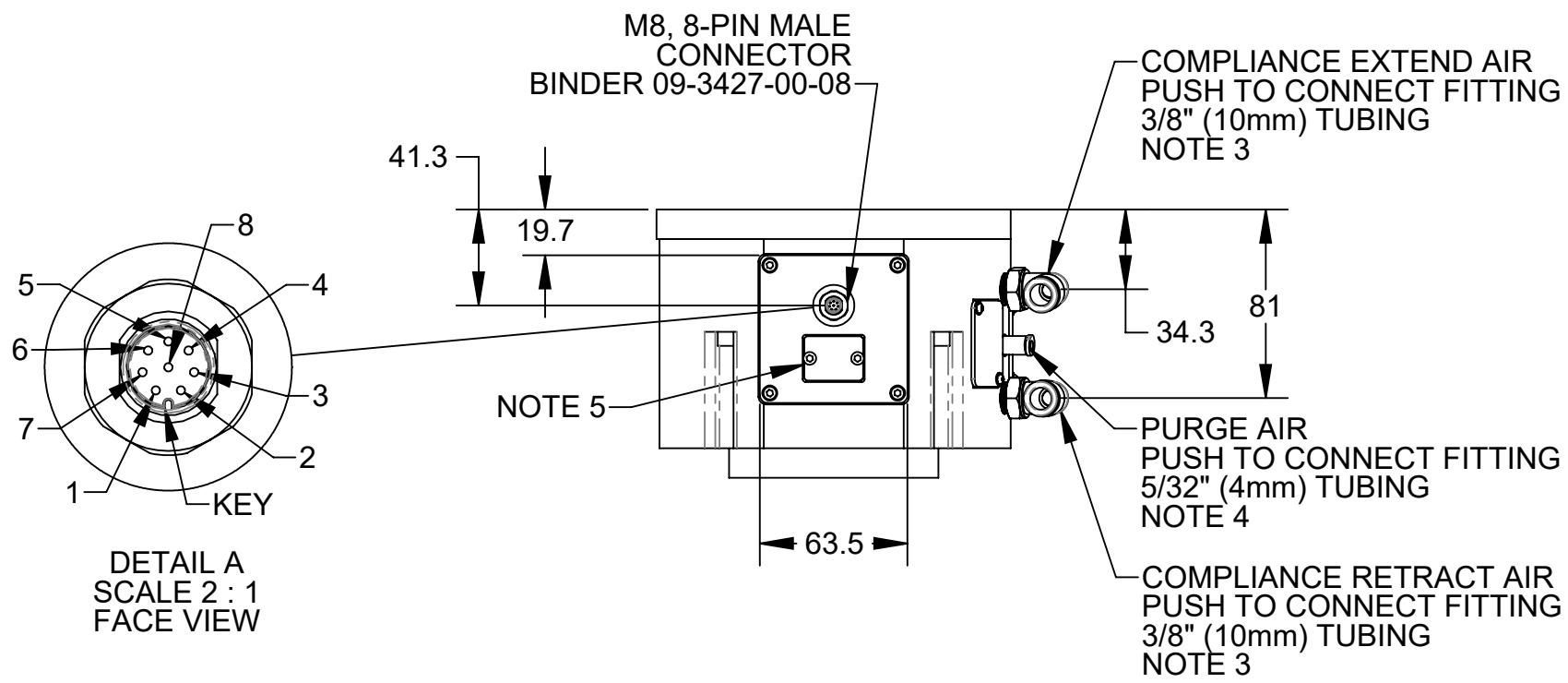


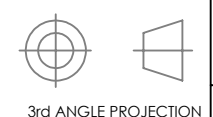
REV.	DESCRIPTION	INITIATOR	DATE
06	ECO 21122: UPDATED TO REFLECT CHANGE FROM M12 CONNECTOR TO M8 CONNECTOR. SHEET 1: UPDATED CONNECTOR VIEW. SHEET 3: UPDATED WIRING TABLE.	BAW	4/27/2023



- NOTES:
1. INTERFACE PLATES TO HAVE CUSTOMER PATTERN ADDED BY CUSTOMER. STANDARD BOLT CIRCLES AVAILABLE UPON REQUEST.
 2. AIR LINES TO BE FREE OF OIL AND WATER.
 3. COMPLIANCE PRESSURE RANGE 60 PSI (4.1 BAR) MAXIMUM.
 4. PURGE AIR PRESSURE 30 PSI (2.1 BAR).
 5. COMPLIANCE STROKE POSITION INDICATOR. CONSULT MANUAL FOR LIGHT SEQUENCE.

NOTES: UNLESS OTHERWISE SPECIFIED.

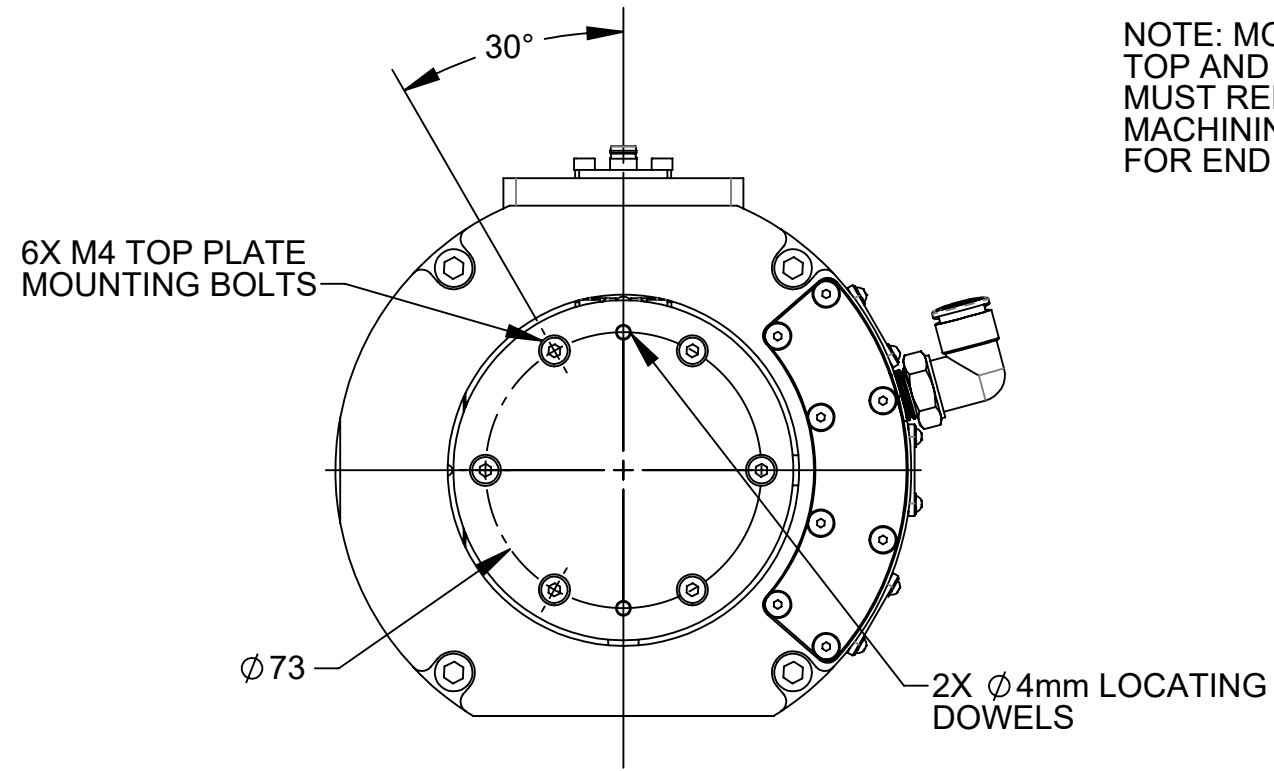
DO NOT SCALE DRAWING. ALL DIMENSIONS ARE IN MILLIMETERS.



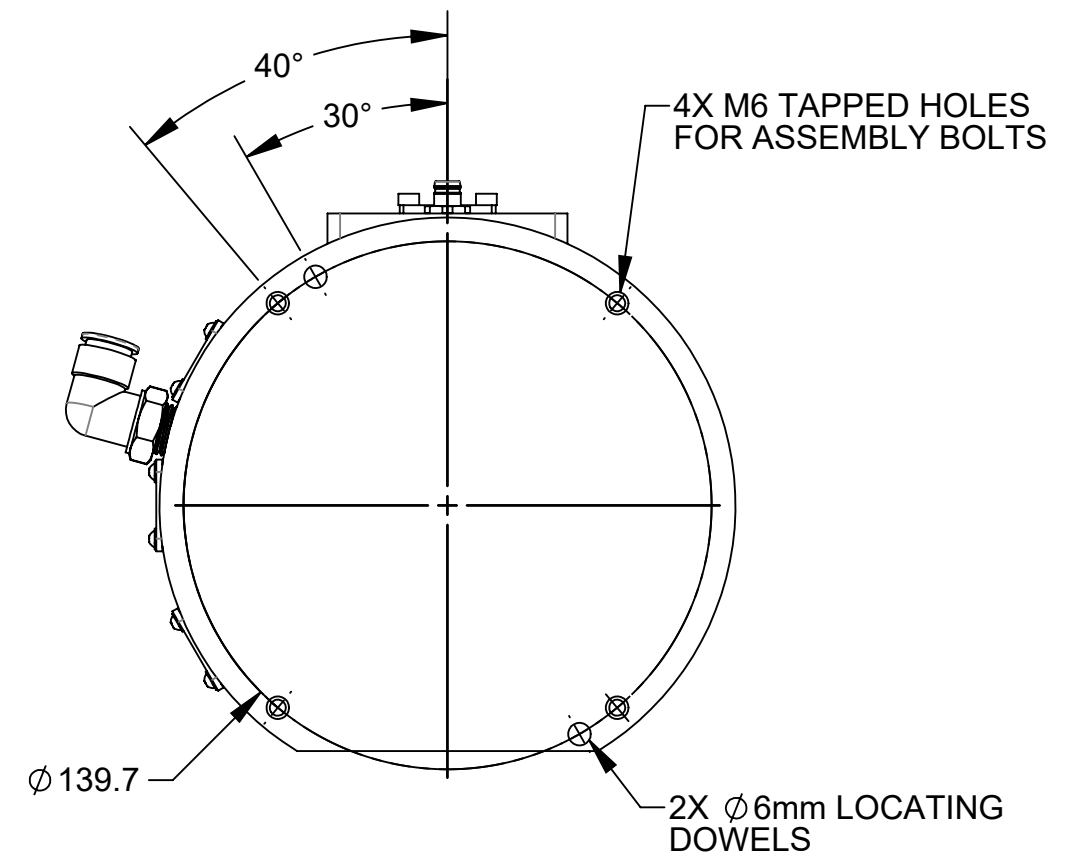
1031 Goodworth Drive, Apex, NC 27539, USA
 Tel: +1.919.772.0115 www.ati-ia.com
 Fax: +1.919.772.8259 ISO 9001 Registered Company

PROPERTY OF ATI INDUSTRIAL AUTOMATION, INC. NOT TO BE REPRODUCED IN ANY MANNER EXCEPT ON ORDER OR WITH PRIOR WRITTEN AUTHORIZATION OF ATI.

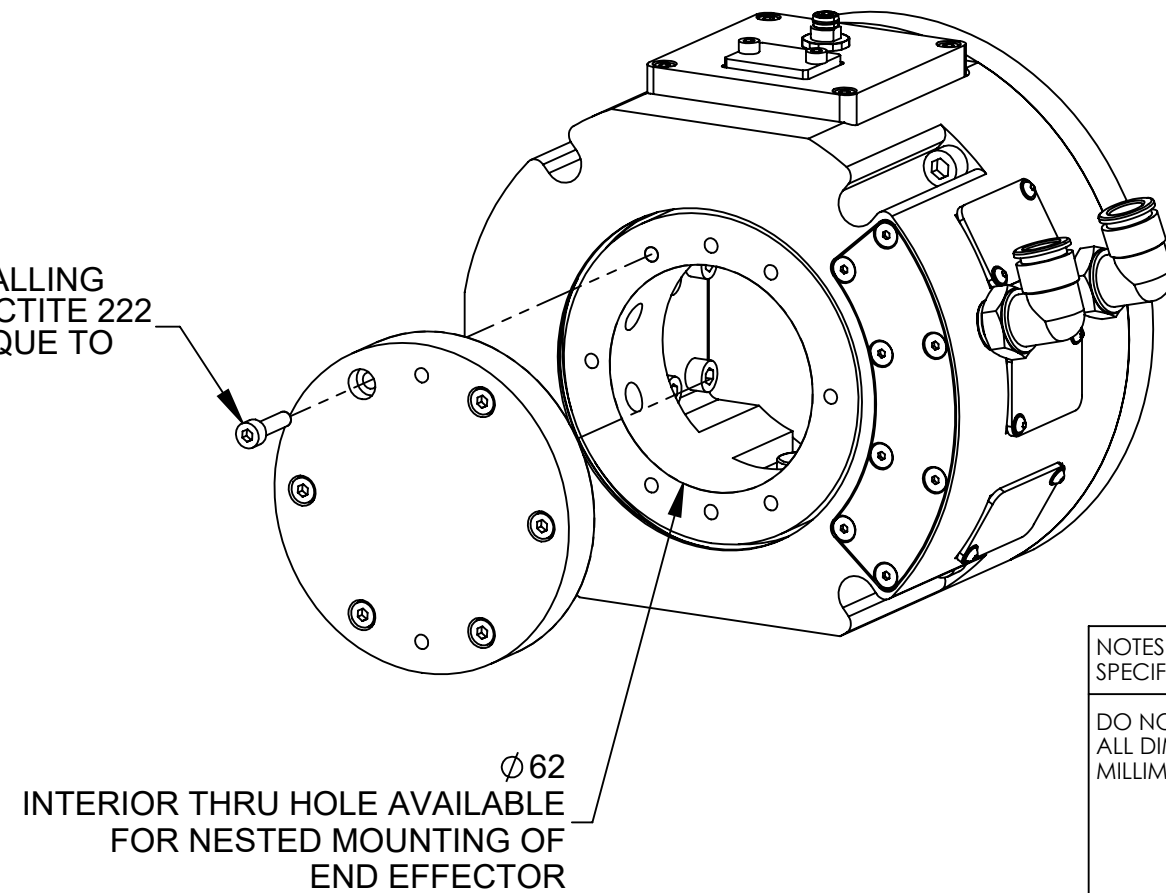
DRAWN BY: D. Bohle 10/11/2019		TITLE	
CHECKED BY: B. Rose 10/11/2019		PCFC-12 Customer Drawing	
PROJECT # 180619-3	SHEET 1 OF 6	SCALE 1:3	SIZE B
		DRAWING NUMBER 9630-50-PCFC-12	REVISION 06



NOTE: MOUNTING FEATURES SHOWN ON TOP AND BOTTOM INTERFACE PLATES MUST REMAIN UNCHANGED WHEN MACHINING CUSTOM MOUNTING PATTERN FOR END EFFECTOR.



NOTE: BEFORE REINSTALLING TOOL PLATE, APPLY LOCTITE 222 TO M4 BOLTS AND TORQUE TO 25 IN-LB



NOTES: UNLESS OTHERWISE SPECIFIED.

DO NOT SCALE DRAWING. ALL DIMENSIONS ARE IN MILLIMETERS.



3rd ANGLE PROJECTION

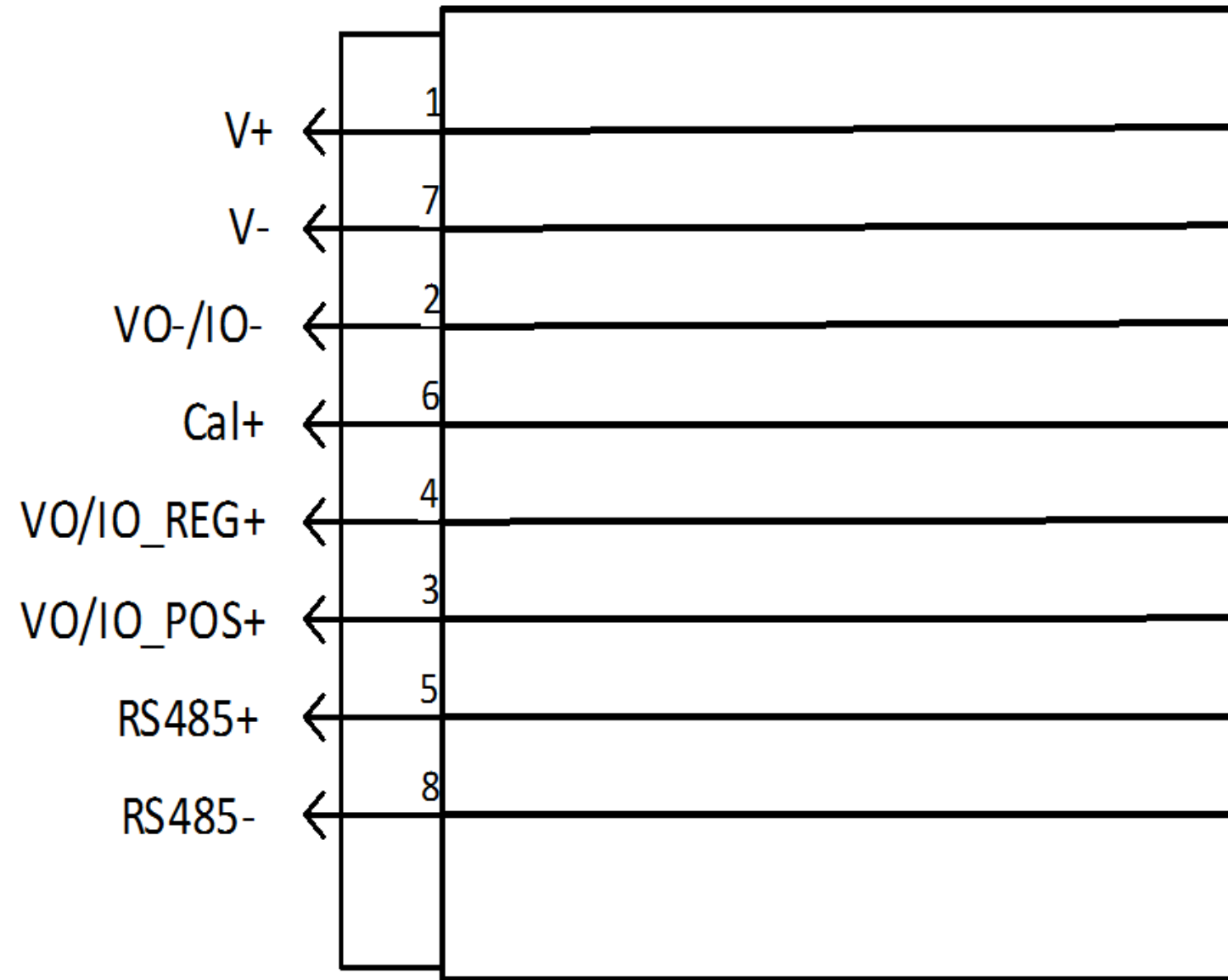
1031 Goodworth Drive, Apex, NC 27539, USA
 Tel: +1.919.772.0115 www.ati-ia.com
 Fax: +1.919.772.8259 ISO 9001 Registered Company

PROPERTY OF ATI INDUSTRIAL AUTOMATION, INC. NOT TO BE REPRODUCED IN ANY MANNER EXCEPT ON ORDER OR WITH PRIOR WRITTEN AUTHORIZATION OF ATI.

DRAWN BY: D. Bohle 10/11/2019		TITLE	
CHECKED BY: B. Rose 10/11/2019		PCFC-12 Customer Drawing	
SCALE	SIZE	DRAWING NUMBER	REVISION
1:10	B	9630-50-PCFC-12	06
PROJECT # 180619-3		SHEET 2 OF 6	

9150-PCFC-12

8-Pin Male Connector



PCFC

NOTES: UNLESS OTHERWISE SPECIFIED.

DO NOT SCALE DRAWING. ALL DIMENSIONS ARE IN MILLIMETERS.

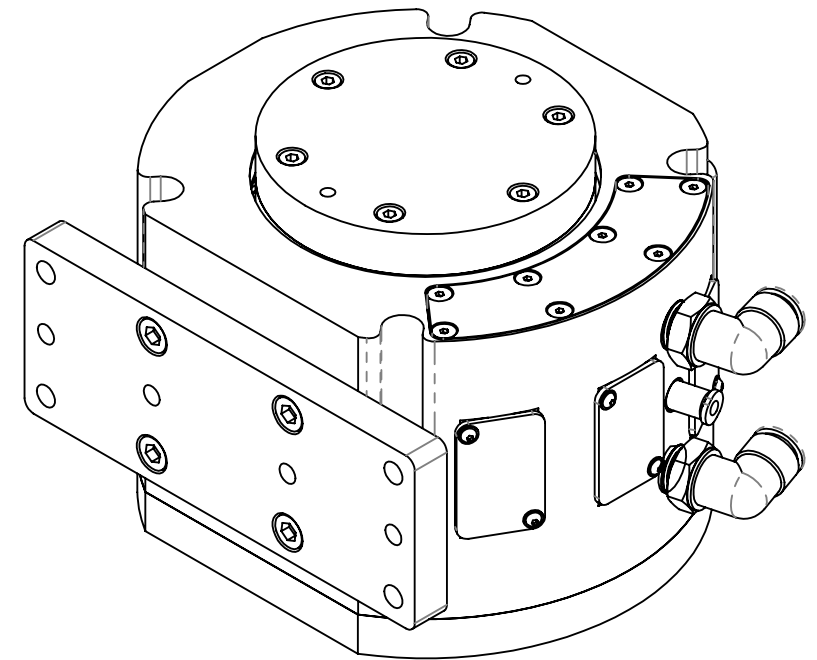
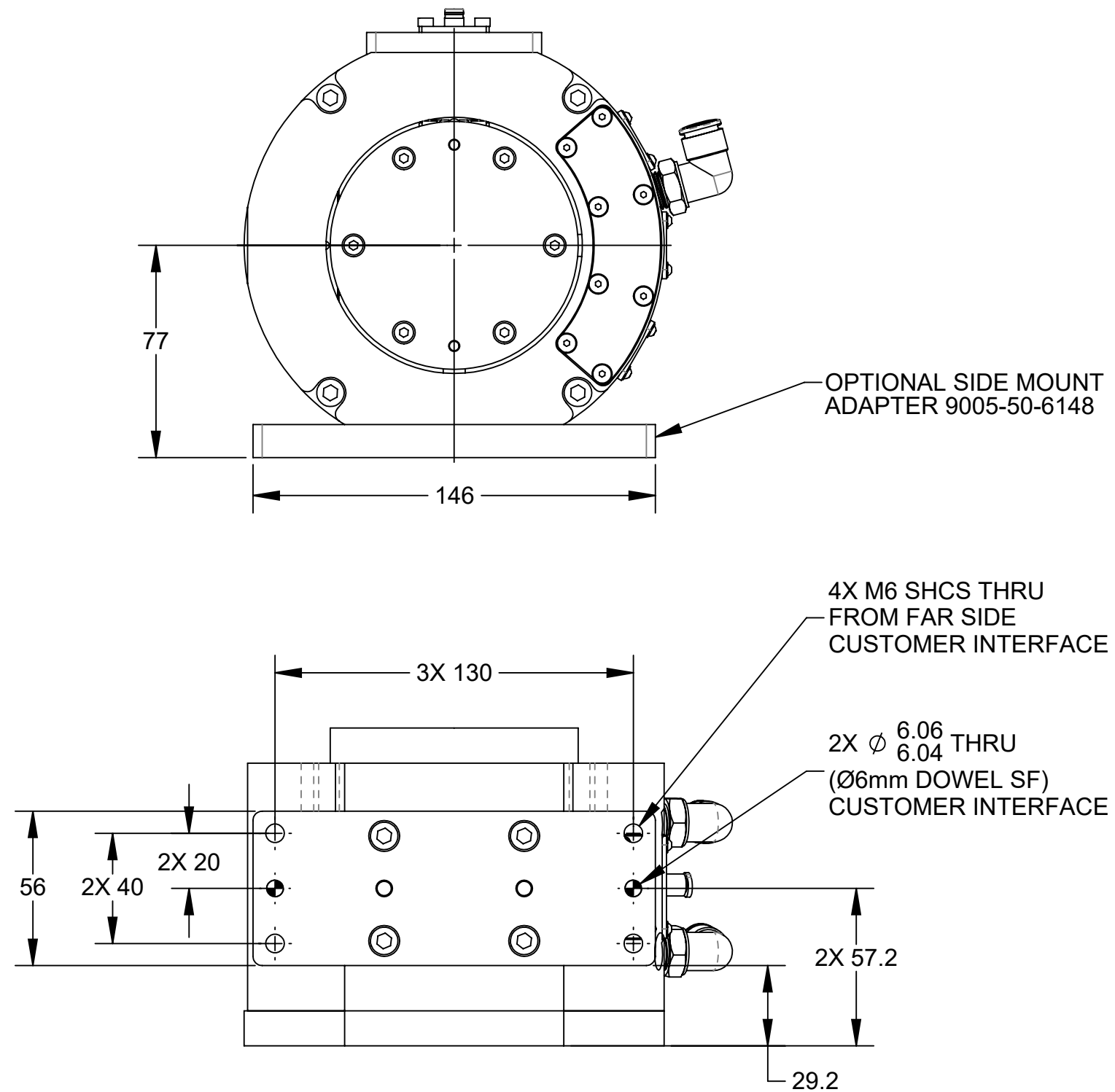


3rd ANGLE PROJECTION

1031 Goodworth Drive, Apex, NC 27539, USA
 Tel: +1.919.772.0115 www.ati-ia.com
 Fax: +1.919.772.8259 ISO 9001 Registered Company

PROPERTY OF ATI INDUSTRIAL AUTOMATION, INC. NOT TO BE REPRODUCED IN ANY MANNER EXCEPT ON ORDER OR WITH PRIOR WRITTEN AUTHORIZATION OF ATI.

DRAWN BY: D. Bohle 10/11/2019		TITLE	
CHECKED BY: B. Rose 10/11/2019		PCFC-12 Customer Drawing	
SCALE	SIZE	DRAWING NUMBER	REVISION
1:5	B	9630-50-PCFC-12	06
PROJECT # 180619-3		SHEET 3 OF 6	



NOTES: UNLESS OTHERWISE SPECIFIED.

DO NOT SCALE DRAWING. ALL DIMENSIONS ARE IN MILLIMETERS.

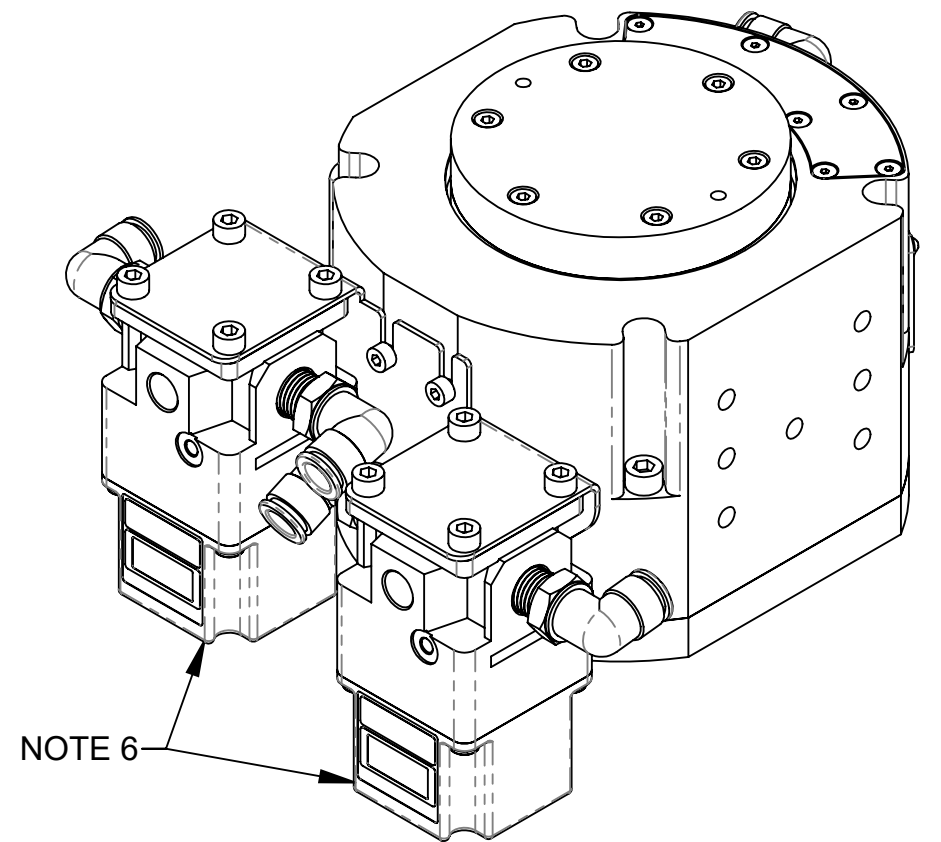
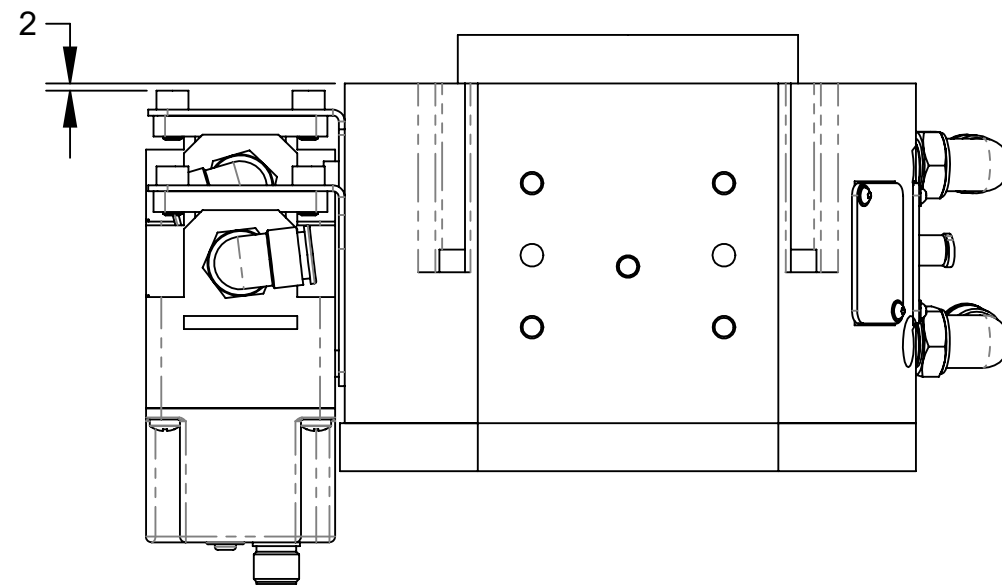
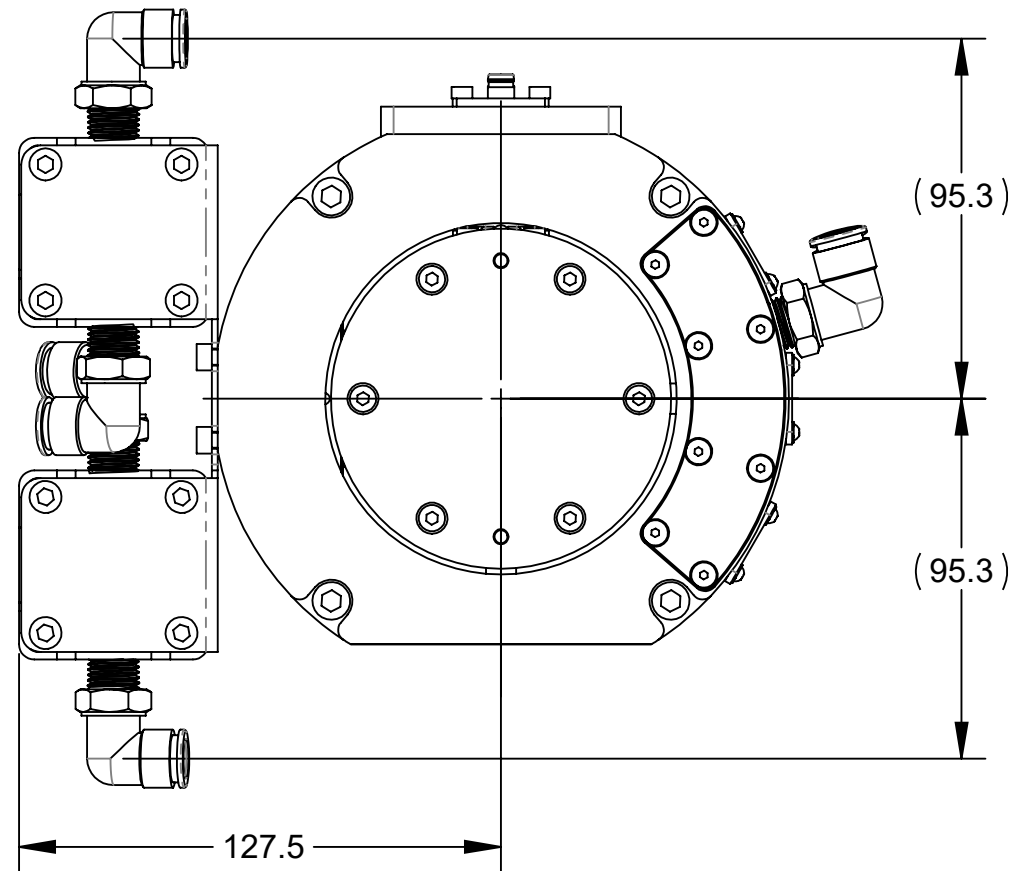
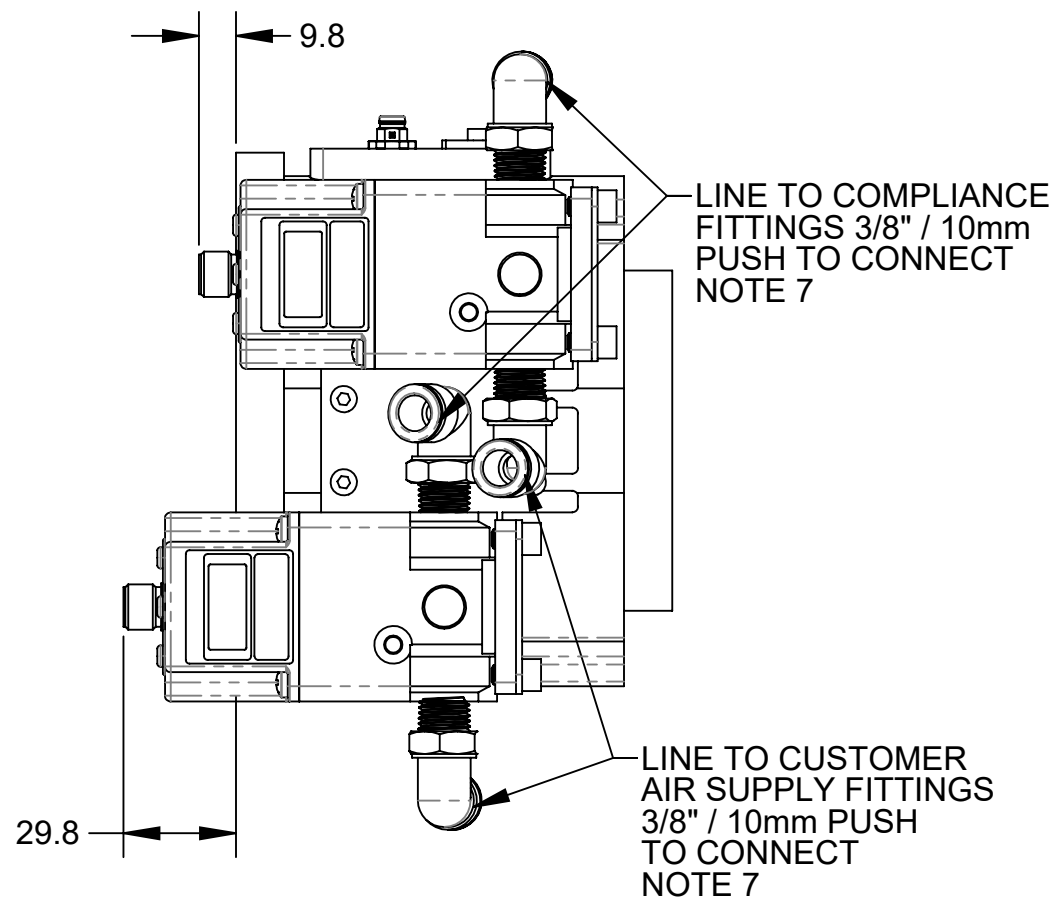


3rd ANGLE PROJECTION

1031 Goodworth Drive, Apex, NC 27539, USA
 Tel: +1.919.772.0115 www.ati-ia.com
 Fax: +1.919.772.8259 ISO 9001 Registered Company

PROPERTY OF ATI INDUSTRIAL AUTOMATION, INC. NOT TO BE REPRODUCED IN ANY MANNER EXCEPT ON ORDER OR WITH PRIOR WRITTEN AUTHORIZATION OF ATI.

DRAWN BY: D. Bohle 10/11/2019		TITLE		
CHECKED BY: B. Rose 10/11/2019		PCFC-12 Customer Drawing		
SCALE	SIZE	DRAWING NUMBER	REVISION	
1:5	B	9630-50-PCFC-12	06	
PROJECT # 180619-3		SHEET 4 OF 6		



NOTES:
 6. SEE MANUAL FOR ASSEMBLY INSTRUCTIONS AND REGULATOR SET UP AND PROGRAMMING.
 7. (4) SWIVEL PUSH TO CONNECT FITTINGS INCLUDED. CUSTOMER TO ORIENT FITTINGS AS NEEDED.

NOTES: UNLESS OTHERWISE SPECIFIED.

DO NOT SCALE DRAWING. ALL DIMENSIONS ARE IN MILLIMETERS.

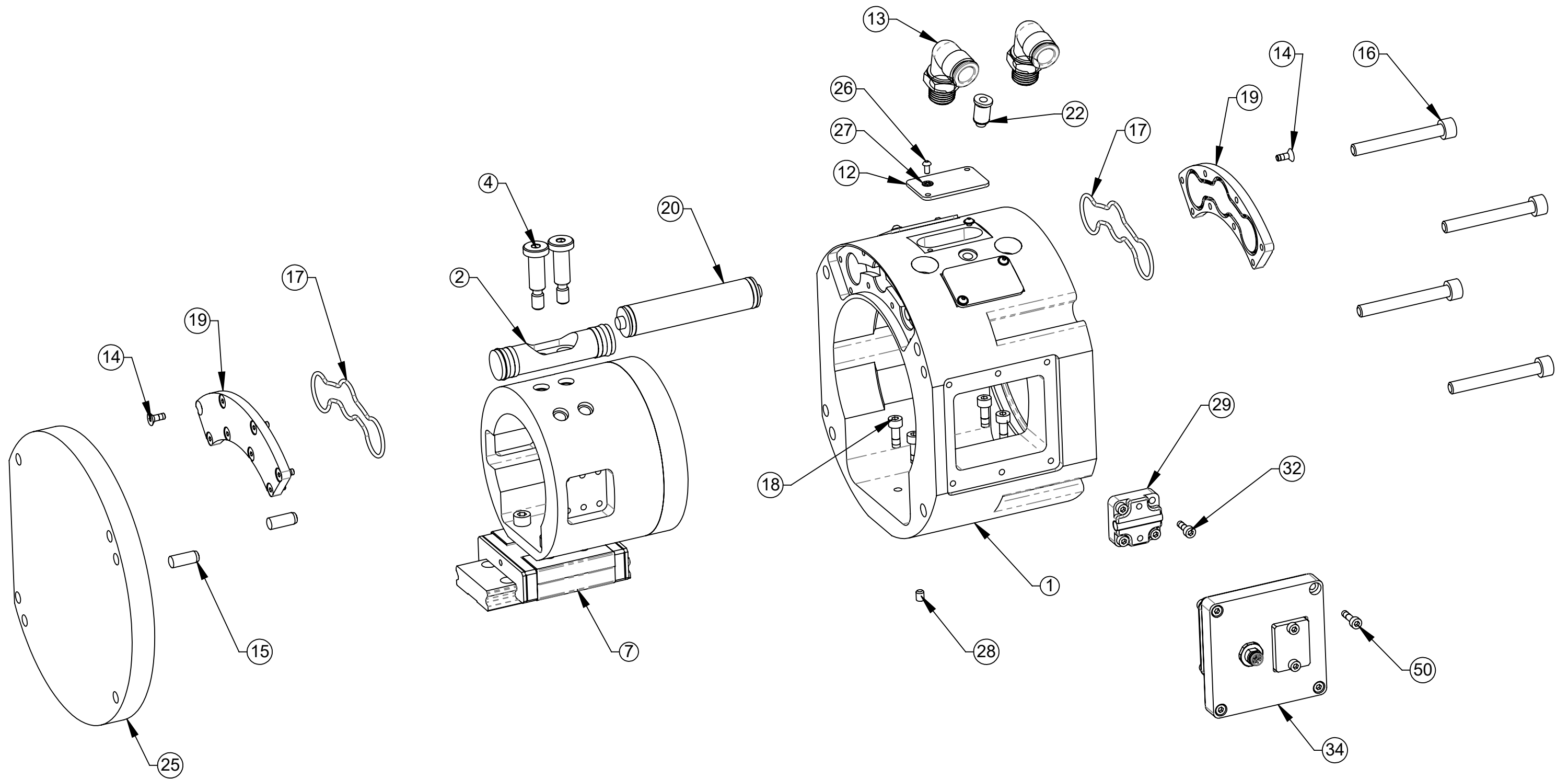


3rd ANGLE PROJECTION

1031 Goodworth Drive, Apex, NC 27539, USA
 Tel: +1.919.772.0115 www.ati-ia.com
 Fax: +1.919.772.8259 ISO 9001 Registered Company

PROPERTY OF ATI INDUSTRIAL AUTOMATION, INC. NOT TO BE REPRODUCED IN ANY MANNER EXCEPT ON ORDER OR WITH PRIOR WRITTEN AUTHORIZATION OF ATI.

DRAWN BY: D. Bohle 10/11/2019		TITLE		
CHECKED BY: B. Rose 10/11/2019		PCFC-12 Customer Drawing		
PROJECT # 180619-3	SHEET 5 OF 6	SCALE	SIZE	DRAWING NUMBER
		1:5	B	9630-50-PCFC-12
				REVISION
				06



NOTES: UNLESS OTHERWISE SPECIFIED.

DO NOT SCALE DRAWING. ALL DIMENSIONS ARE IN MILLIMETERS.



3rd ANGLE PROJECTION

1031 Goodworth Drive, Apex, NC 27539, USA
 Tel: +1.919.772.0115 www.ati-ia.com
 Fax: +1.919.772.8259 ISO 9001 Registered Company

PROPERTY OF ATI INDUSTRIAL AUTOMATION, INC. NOT TO BE REPRODUCED IN ANY MANNER EXCEPT ON ORDER OR WITH PRIOR WRITTEN AUTHORIZATION OF ATI.

DRAWN BY: D. Bohle 10/11/2019		TITLE		
CHECKED BY: B. Rose 10/11/2019		PCFC-12 Customer Drawing		
PROJECT # 180619-3	SHEET 6 OF 6	SCALE 1:2	SIZE B	DRAWING NUMBER 9630-50-PCFC-12
				REVISION 06