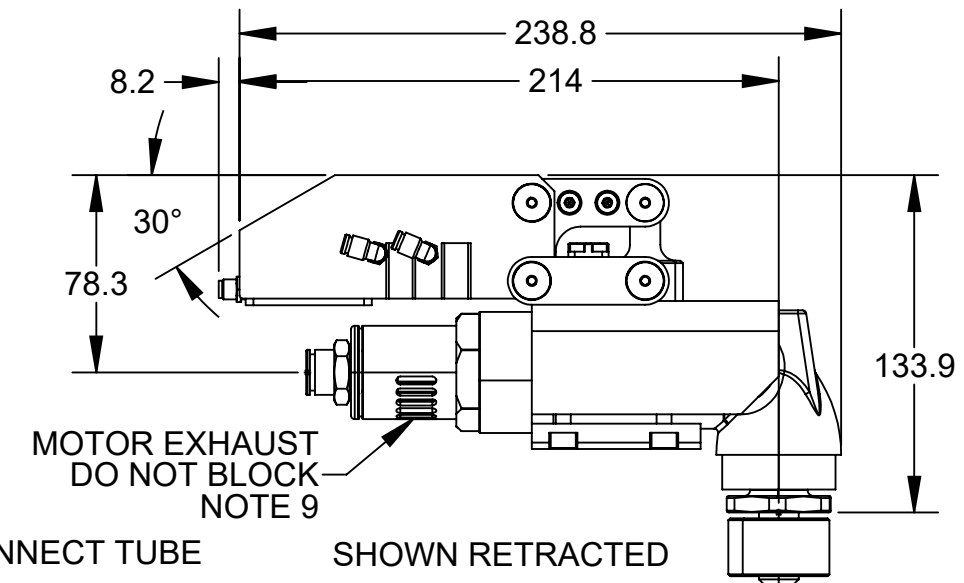
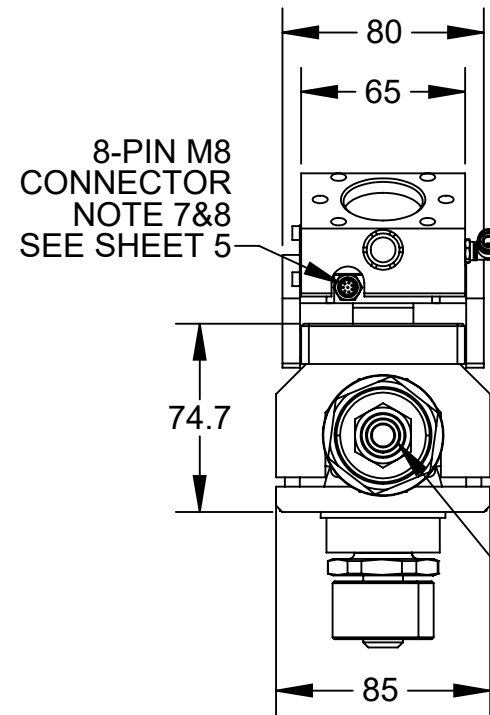
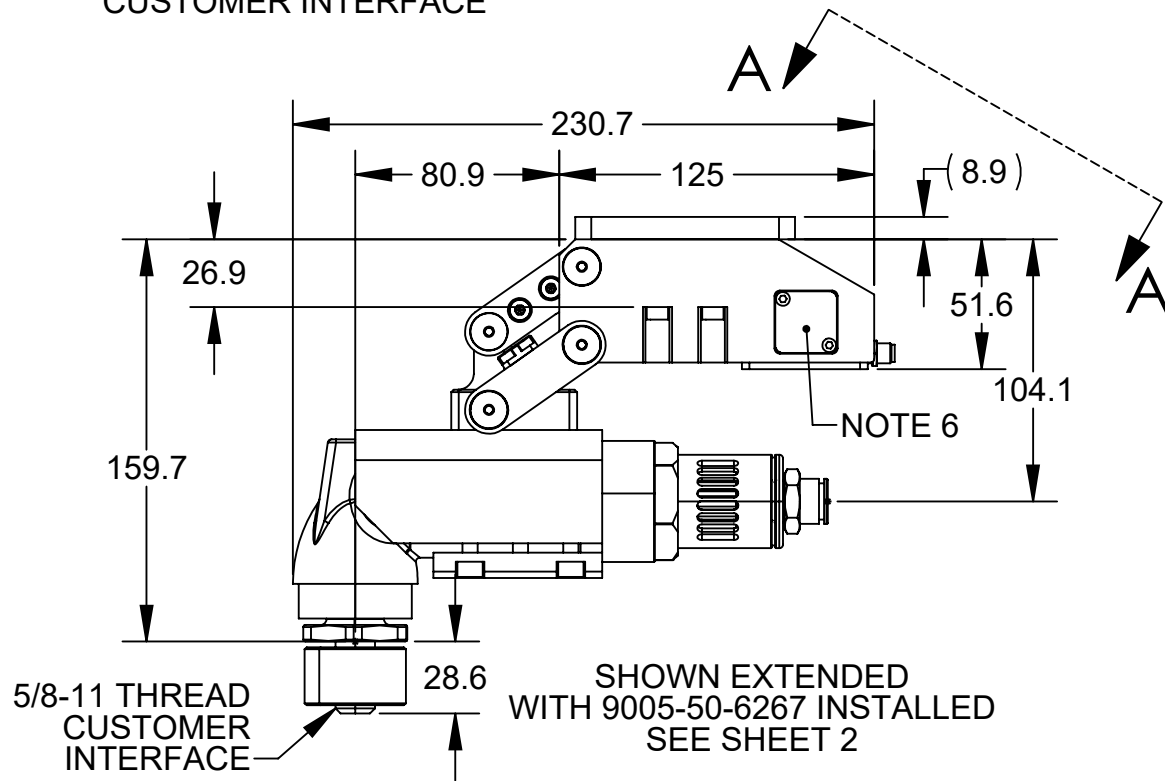
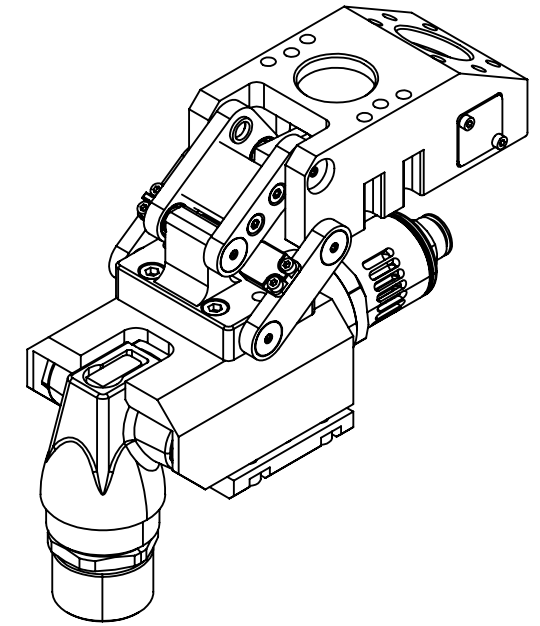
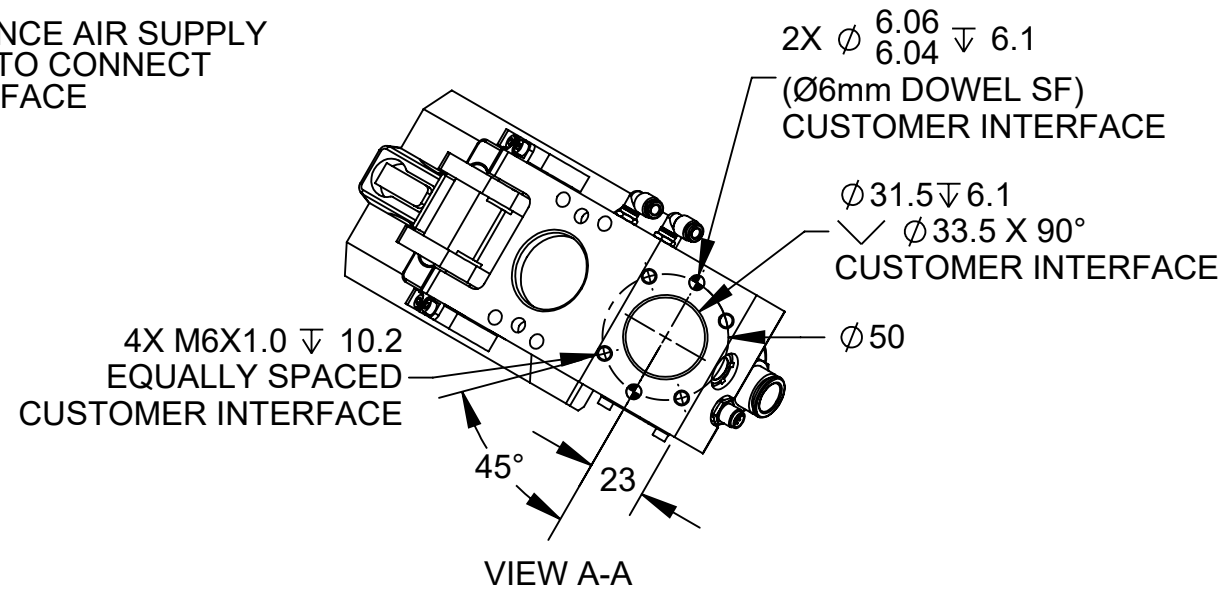
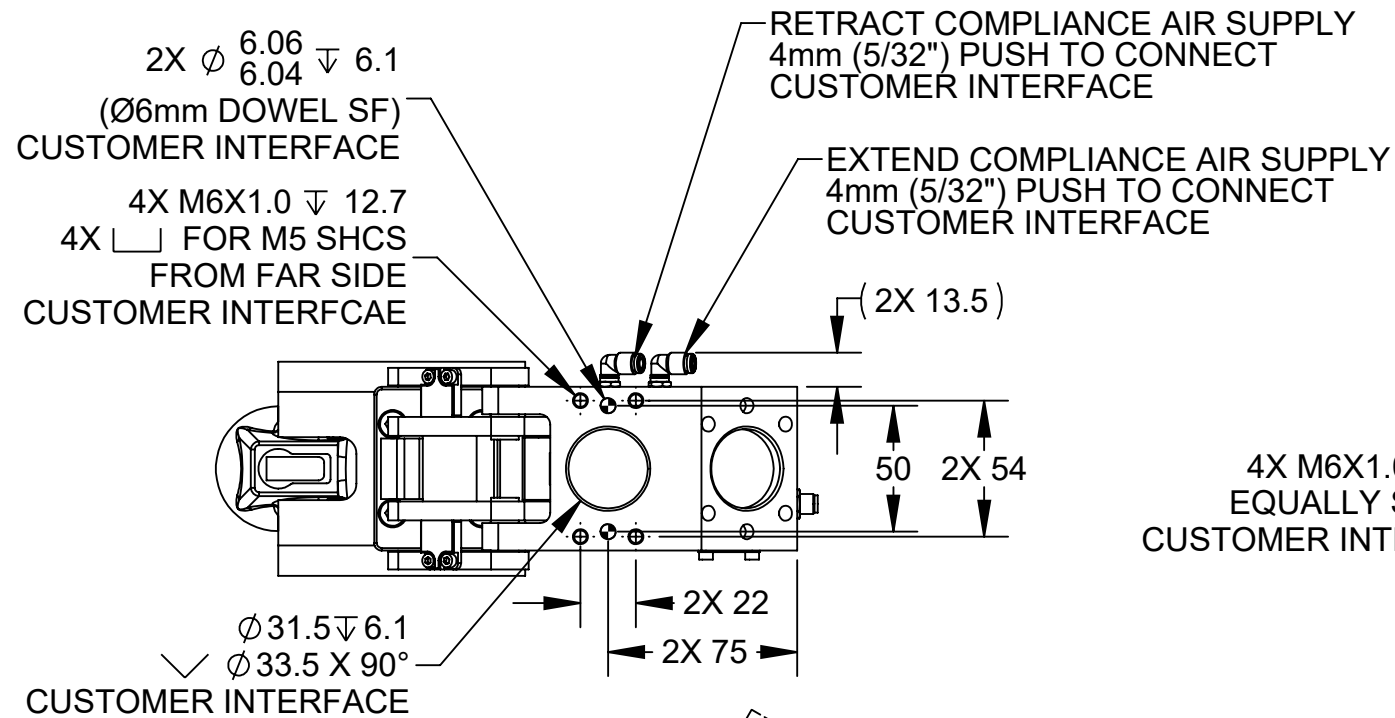


REV.	DESCRIPTION	INITIATOR	DATE
01	INITIAL DRAWING	BRR	7/6/2022

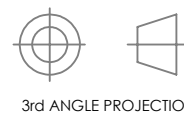


Notes:

- 900 WATT, 12000 RPM FREE SPEED, LUBRICATED AIR MOTOR.
- MOTOR AIR CONSUMPTION 40CFM AT 90PSI [6.2 BAR].
- MOTOR AIR QUALITY: CLEAN, FILTERED AIR [5 MICRON OR BETTER], LUBRICATED AT 2-3 DROPS PER HOUR.
- MAXIMUM COMPLIANCE STROKE: 25MM
- COMPLIANCE PRESSURE RANGE 40PSI MAXIMUM RECOMMENDED
- COMPLIANCE STROKE POSITION INDICATOR. CONSULT MANUAL FOR LIGHT SEQUENCE. SENSORLESS UNITS TO HAVE BLANK PLATE INSTALLED IN PLACE OF INCATOR BOARD.
- KEY ORIENTATION ON M8 CONNECTOR IS NOT GUARANTEED.
- SENSORLESS OPTIONS DO NOT HAVE M8 CONNECTOR OR SENSOR ASSEMBLY.
- OPTIONAL EXHAUST KIT AVAILABLE FOR USE WITH MUFFLER OR OIL RECOVERY SYSTEMS. SEE SHEET 4
- (-E) VERSIONS SUPPLIED WITH 12MM PUSH TO CONNECT FITTINGS.
- 90 DEGREE BRACKET SHOULD ONLY BE MOUNTED IN THE ORIENTATION SHOWN. SEE SHEET 3

NOTES: UNLESS OTHERWISE SPECIFIED.

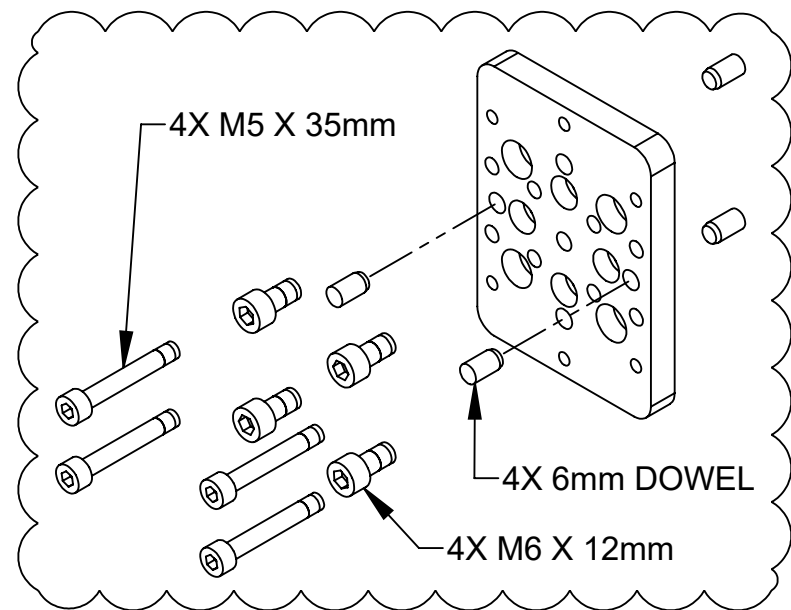
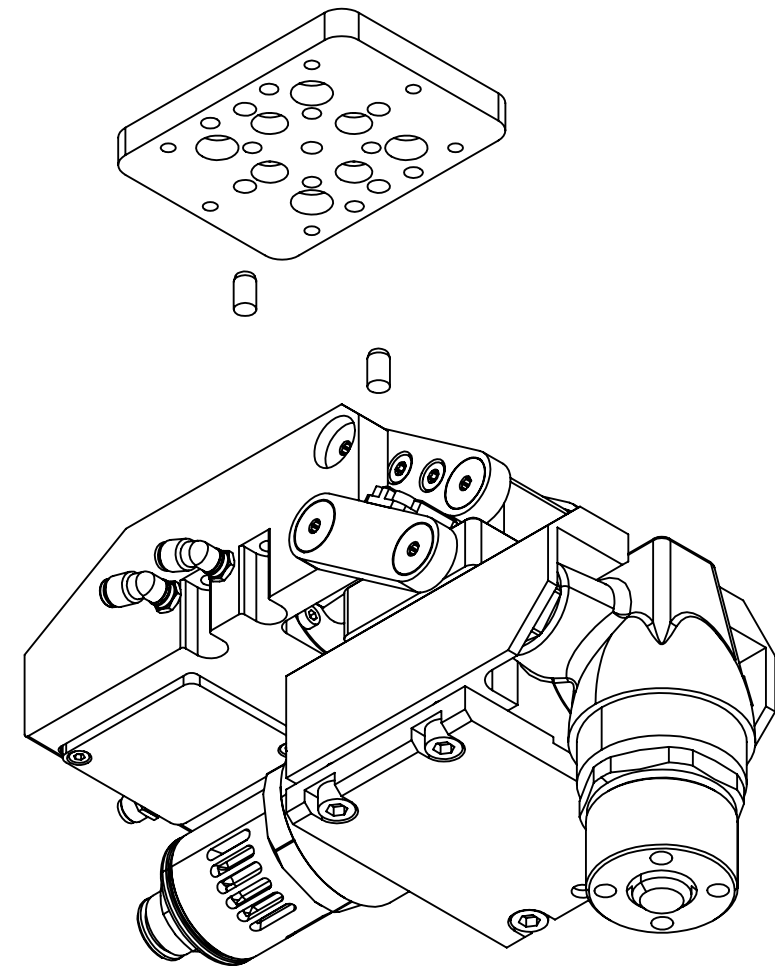
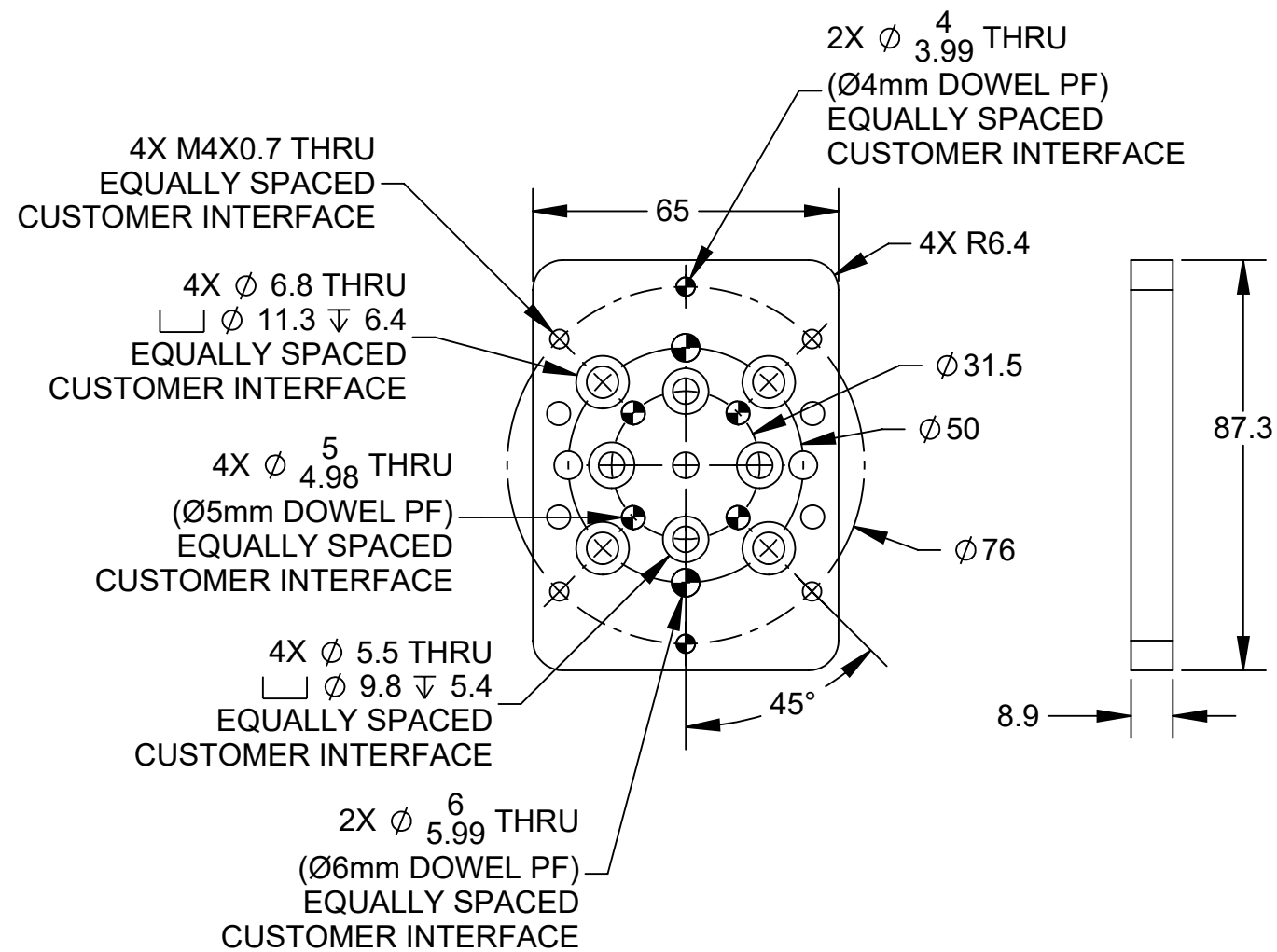
DO NOT SCALE DRAWING.
ALL DIMENSIONS ARE IN
MILLIMETERS.



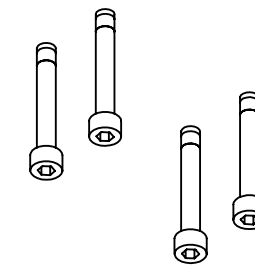
1031 Goodworth Drive, Apex, NC 27539, USA
Tel: +1.919.772.0115 www.ati-ia.com
Fax: +1.919.772.8259 ISO 9001 Registered Company

PROPERTY OF ATI INDUSTRIAL AUTOMATION, INC. NOT TO BE REPRODUCED IN ANY MANNER EXCEPT ON ORDER OR WITH PRIOR WRITTEN AUTHORIZATION OF ATI.

DRAWN BY: B. Rose - 7/1/2022		TITLE	
CHECKED BY: G. Wu - 7/5/2022		CGV-900 Series Tool Customer Drawing	
PROJECT # 210212-1	SHEET 1 OF 6	SCALE 1:3	REVISION 01
SIZE B	DRAWING NUMBER 9630-50-CGV-900		



9005-50-6267
OPTIONAL
INTERFACE PLATE KIT



NOTES: UNLESS OTHERWISE SPECIFIED.

DO NOT SCALE DRAWING. ALL DIMENSIONS ARE IN MILLIMETERS.



3rd ANGLE PROJECTION

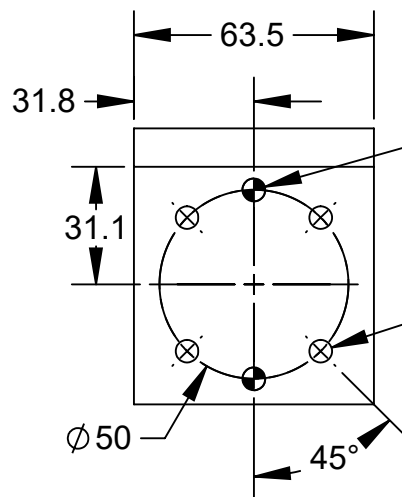
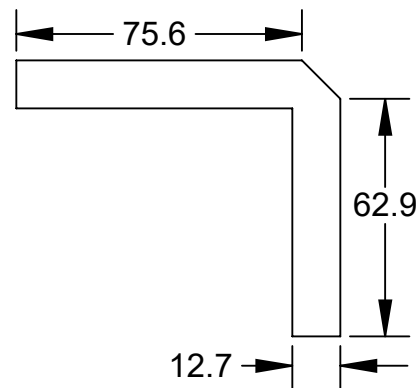
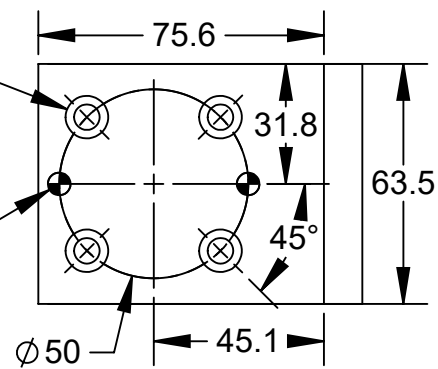
1031 Goodworth Drive, Apex, NC 27539, USA
 Tel: +1.919.772.0115 www.ati-ia.com
 Fax: +1.919.772.8259 ISO 9001 Registered Company

PROPERTY OF ATI INDUSTRIAL AUTOMATION, INC. NOT TO BE REPRODUCED IN ANY MANNER EXCEPT ON ORDER OR WITH PRIOR WRITTEN AUTHORIZATION OF ATI.

DRAWN BY: B. Rose - 7/1/2022		TITLE		
CHECKED BY: G. Wu - 7/5/2022		CGV-900 Series Tool Customer Drawing		
PROJECT # 210212-1	SHEET 2 OF 6	SCALE	SIZE	DRAWING NUMBER
		1:2	B	9630-50-CGV-900
				REVISION
				01

4X ϕ 6.8 THRU
 \square ϕ 11.3 ∇ 6.4
 EQUALLY SPACED

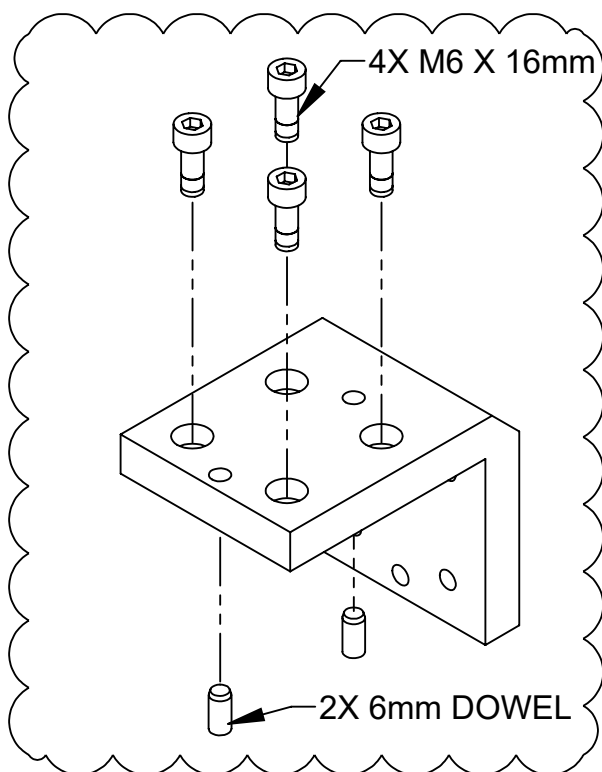
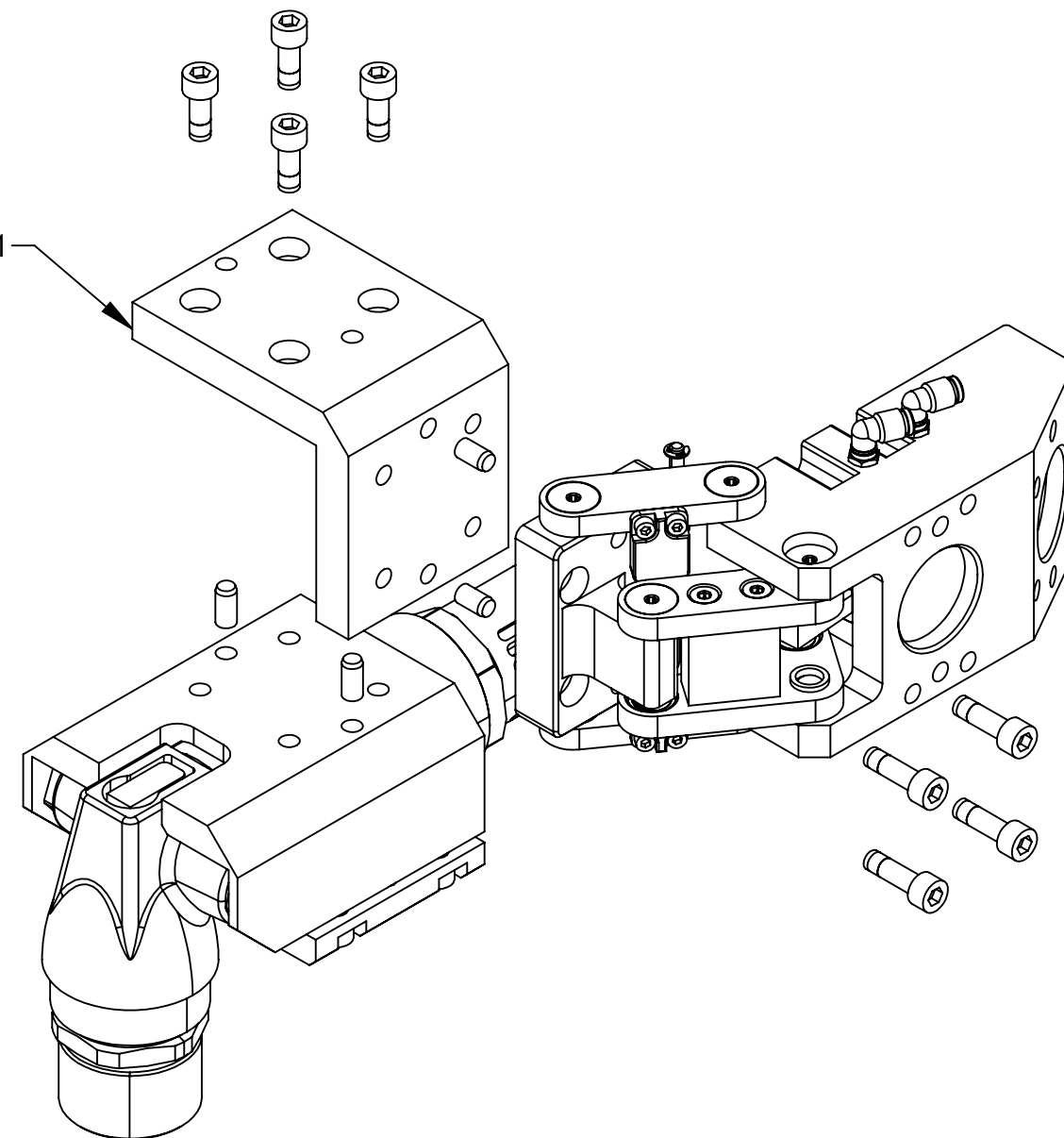
2X ϕ 5.99 THRU
 (ϕ 6mm DOWEL PF)



2X ϕ 6.06 THRU
 6.04 THRU
 (ϕ 6mm DOWEL SF)

4X M6X1.0 THRU
 EQUALLY SPACED

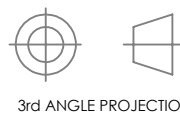
NOTE 11



9005-50-6274
OPTIONAL
90 DEGREE BRACKET KIT

NOTES: UNLESS OTHERWISE SPECIFIED.

DO NOT SCALE DRAWING.
 ALL DIMENSIONS ARE IN MILLIMETERS.



DRAWN BY: B. Rose - 7/1/2022

CHECKED BY: G. Wu - 7/5/2022

PROJECT # 210212-1 SHEET 3 OF 6

1031 Goodworth Drive, Apex, NC 27539, USA
 Tel: +1.919.772.0115 www.ati-ia.com
 Fax: +1.919.772.8259 ISO 9001 Registered Company

PROPERTY OF ATI INDUSTRIAL AUTOMATION, INC. NOT TO BE REPRODUCED IN ANY MANNER EXCEPT ON ORDER OR WITH PRIOR WRITTEN AUTHORIZATION OF ATI.

TITLE

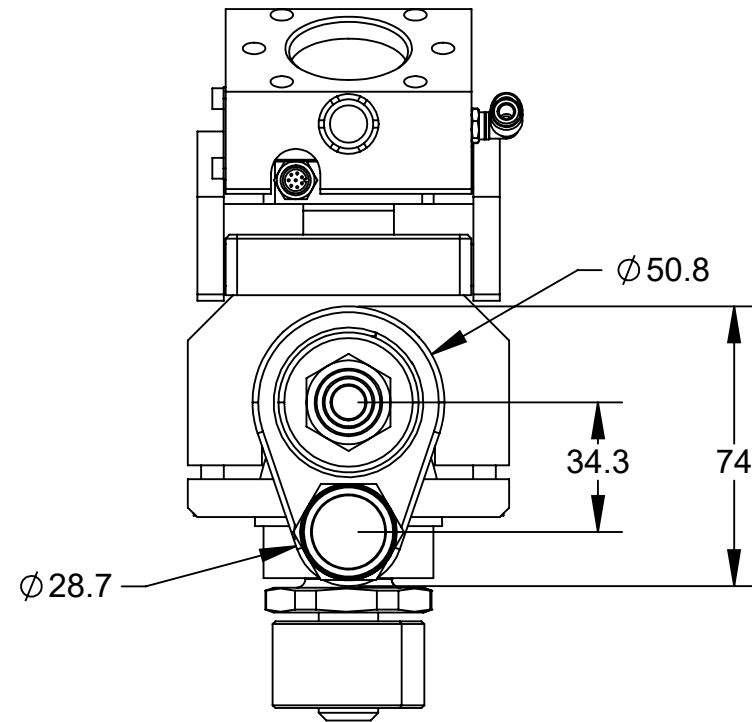
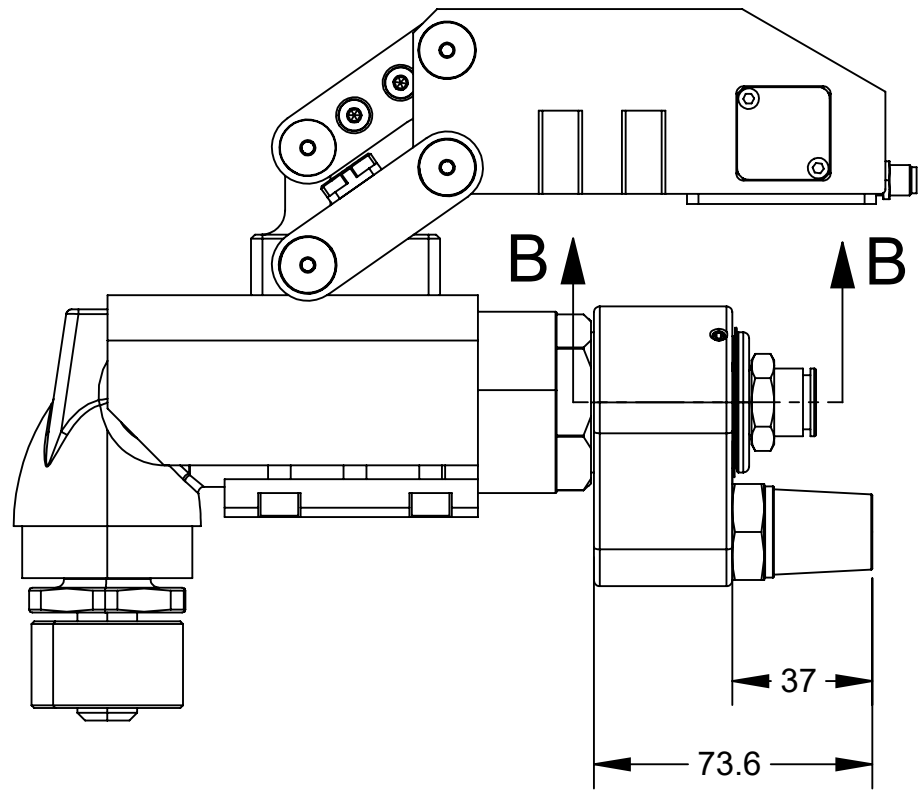
CGV-900 Series Tool Customer Drawing

SCALE
 1:2

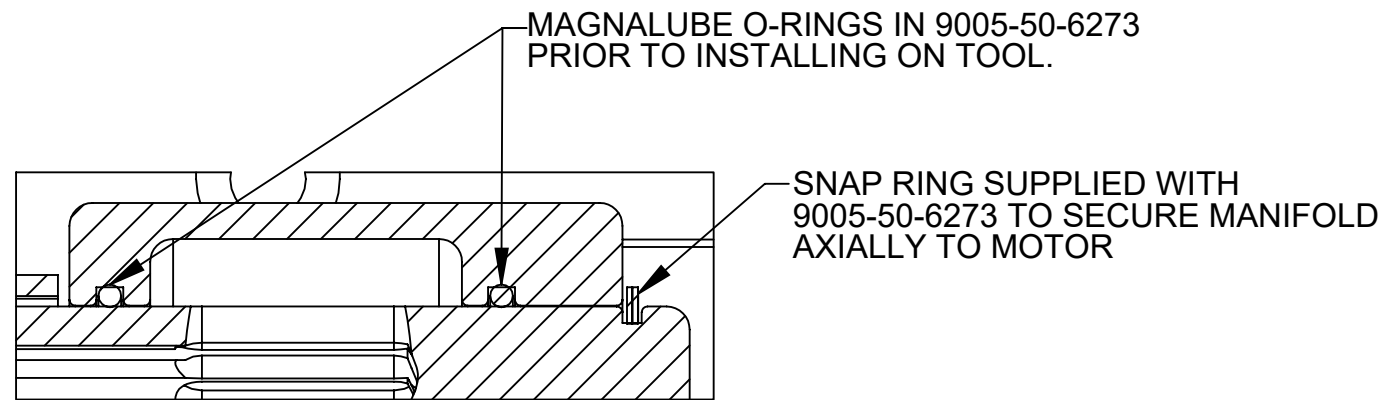
SIZE
 B

DRAWING NUMBER
 9630-50-CGV-900

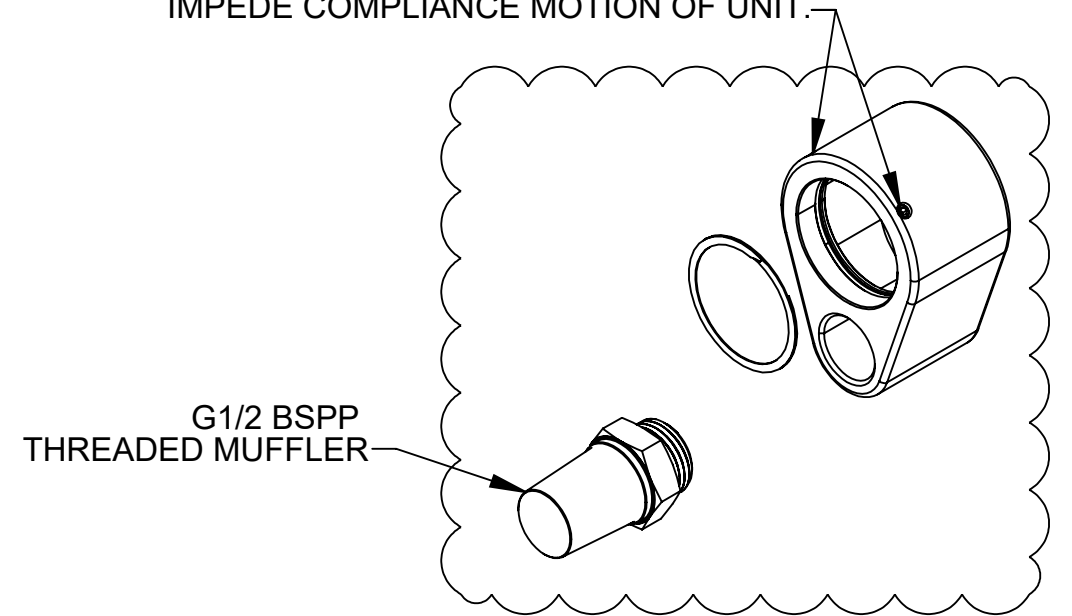
REVISION
 01



SET SCREWS ALLOW FOR EXHAUST
MANIFOLD TO BE LOCKED AT DESIRED
ORIENTATION ON THE MOTOR BODY.
ENSURE ORIENTATION DOES NOT
IMPEDE COMPLIANCE MOTION OF UNIT.



SECTION B-B
SCALE 2 : 1



**9005-50-6273
OPTIONAL EXHAUST KIT**

NOTES: UNLESS OTHERWISE SPECIFIED.

DO NOT SCALE DRAWING.
ALL DIMENSIONS ARE IN
MILLIMETERS.

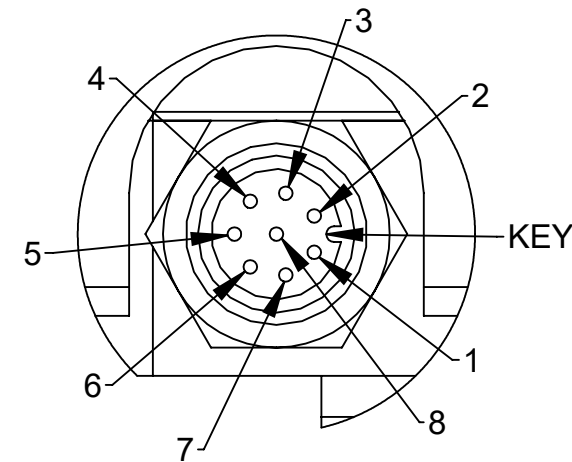
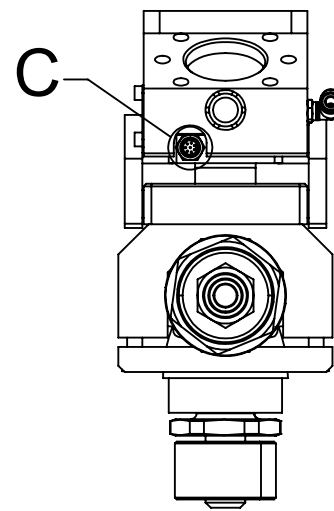
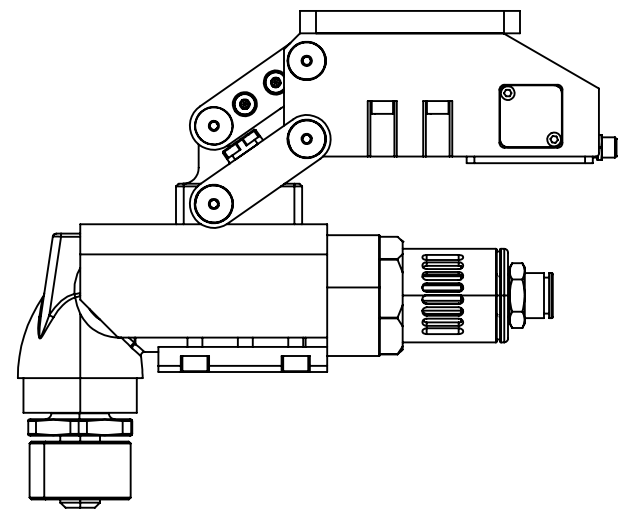


3rd ANGLE PROJECTION

1031 Goodworth Drive, Apex, NC 27539, USA
Tel: +1.919.772.0115 www.ati-ia.com
Fax: +1.919.772.8259 ISO 9001 Registered Company

PROPERTY OF ATI INDUSTRIAL AUTOMATION, INC. NOT TO BE REPRODUCED IN ANY MANNER EXCEPT ON ORDER OR WITH PRIOR WRITTEN AUTHORIZATION OF ATI.

DRAWN BY: B. Rose - 7/1/2022		TITLE	
CHECKED BY: G. Wu - 7/5/2022		CGV-900 Series Tool Customer Drawing	
SCALE	SIZE	DRAWING NUMBER	REVISION
1:2	B	9630-50-CGV-900	01
PROJECT # 210212-1		SHEET 4 OF 6	



8-PIN MALE M8	
FUNCTION	PIN
V+ (24VDC)	1
V- (GND)	7
VO-/IO-	2
RESERVED	6
VO/IO_REG+	4
VO/IO_POS+	3
RS485+	5
RS485-	8

DETAIL C
SCALE 3 : 1
8-PIN MALE M8 CONNECTOR ON UNIT
KEY LOCATION NOT GUARANTEED
NOTE 8

NOTES: UNLESS OTHERWISE SPECIFIED.

DO NOT SCALE DRAWING.
ALL DIMENSIONS ARE IN MILLIMETERS.



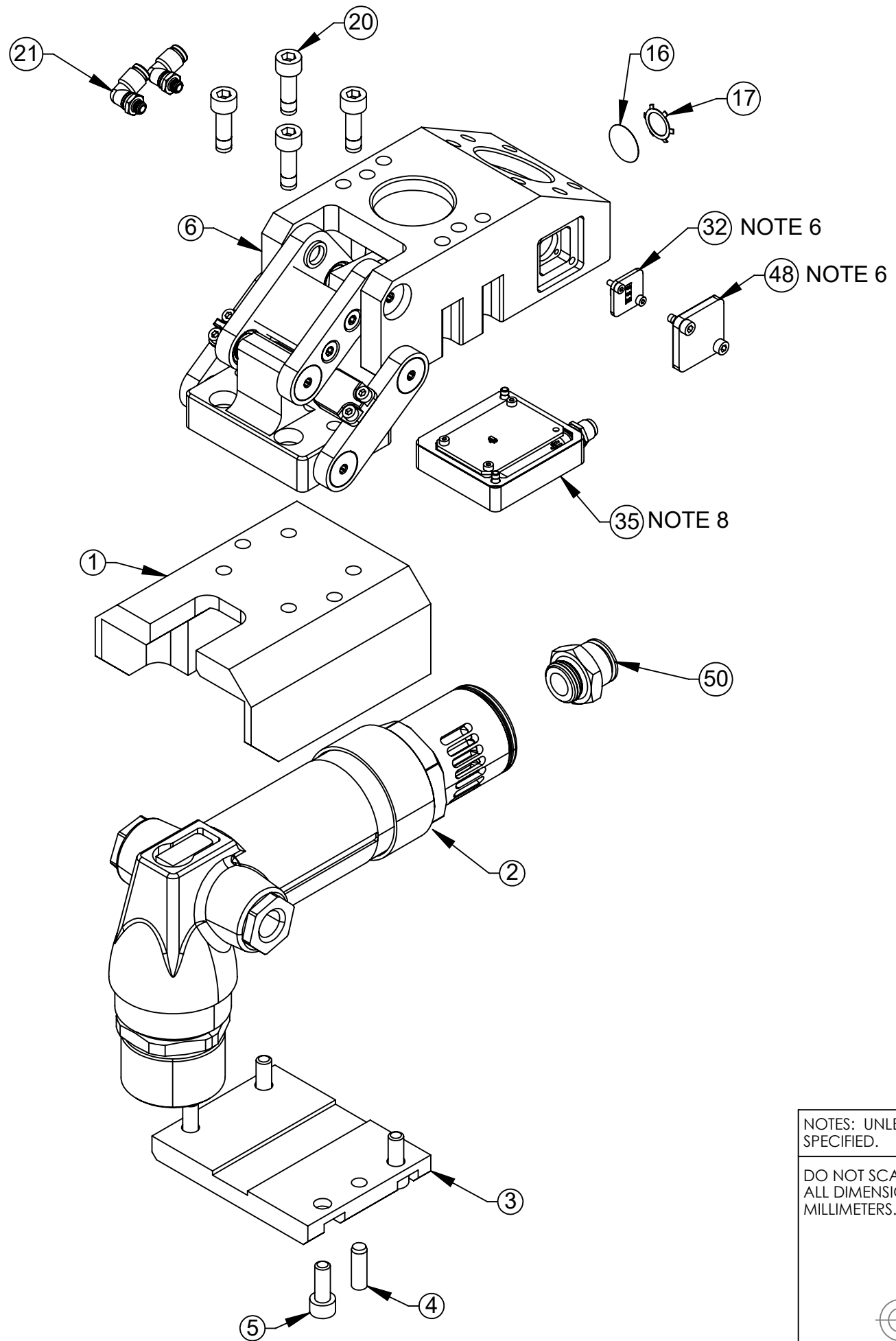
3rd ANGLE PROJECTION

1031 Goodworth Drive, Apex, NC 27539, USA
Tel: +1.919.772.0115 www.ati-ia.com
Fax: +1.919.772.8259 ISO 9001 Registered Company

PROPERTY OF ATI INDUSTRIAL AUTOMATION, INC. NOT TO BE REPRODUCED IN ANY MANNER EXCEPT ON ORDER OR WITH PRIOR WRITTEN AUTHORIZATION OF ATI.

DRAWN BY: B. Rose - 7/1/2022		TITLE	
CHECKED BY: G. Wu - 7/5/2022		CGV-900 Series Tool Customer Drawing	
SCALE	SIZE	DRAWING NUMBER	REVISION
1:3	B	9630-50-CGV-900	01

PROJECT # 210212-1 SHEET 5 OF 6



NOTES: UNLESS OTHERWISE SPECIFIED.

DO NOT SCALE DRAWING. ALL DIMENSIONS ARE IN MILLIMETERS.



3rd ANGLE PROJECTION

1031 Goodworth Drive, Apex, NC 27539, USA
 Tel: +1.919.772.0115 www.ati-ia.com
 Fax: +1.919.772.8259 ISO 9001 Registered Company

PROPERTY OF ATI INDUSTRIAL AUTOMATION, INC. NOT TO BE REPRODUCED IN ANY MANNER EXCEPT ON ORDER OR WITH PRIOR WRITTEN AUTHORIZATION OF ATI.

DRAWN BY: B. Rose - 7/1/2022		TITLE		
CHECKED BY: G. Wu - 7/5/2022		CGV-900 Series Tool Customer Drawing		
SCALE	SIZE	DRAWING NUMBER	REVISION	
1:10	B	9630-50-CGV-900	01	
PROJECT # 210212-1		SHEET 6 OF 6		