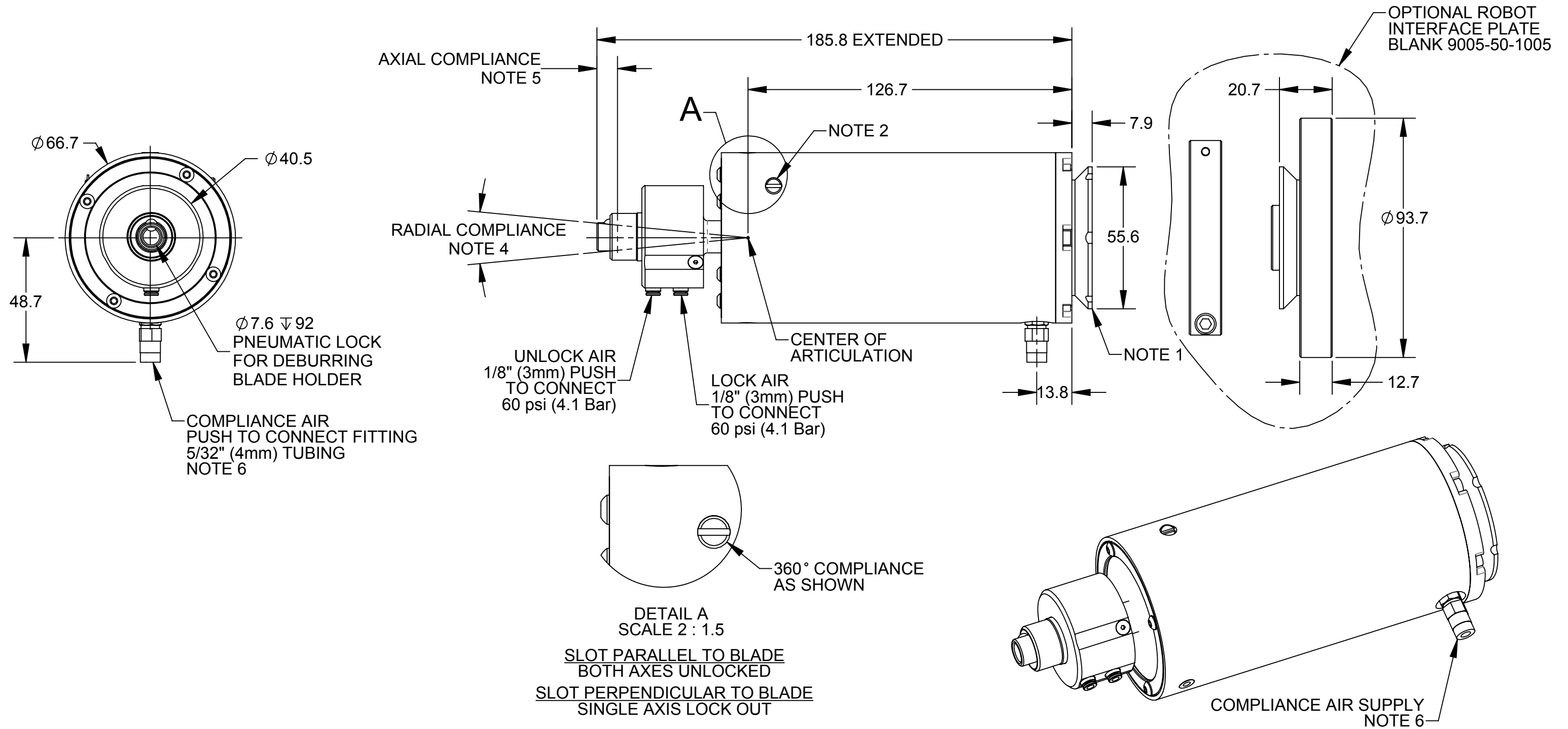


REV.	DESCRIPTION	INITIATOR	DATE
03	ECO 19148; Shts 1 & 2, Added callouts for 1/8" along with the 3mm callouts. Sht 3, Removed explode line sketch.	LJH	6/15/2020



- NOTES:
1. OPTIONAL DOVETAIL ATTACHMENT FOR AXIAL MOUNTING.
 2. QUARTER TURN SINGLE AXIS LOCK OUT. TURN 90° TO ENGAGE OR DISENGAGE.
 3. APPROXIMATE WEIGHT 2.3 LBS, 1.04 KG.
 4. RADIAL COMPLIANCE TRAVEL AT COLLET = MAX $\pm 5.5^\circ$ (APPROXIMATELY .22", 5.5mm).
 5. AXIAL COMPLIANCE TRAVEL AT COLLET = MAX .315", 8mm.
 6. COMPLIANCE AIR SUPPLY PRESSURE 15-60PSI, 1-4.1 BAR

NOTES: UNLESS OTHERWISE SPECIFIED.

DO NOT SCALE DRAWING. ALL DIMENSIONS ARE IN MILLIMETERS.



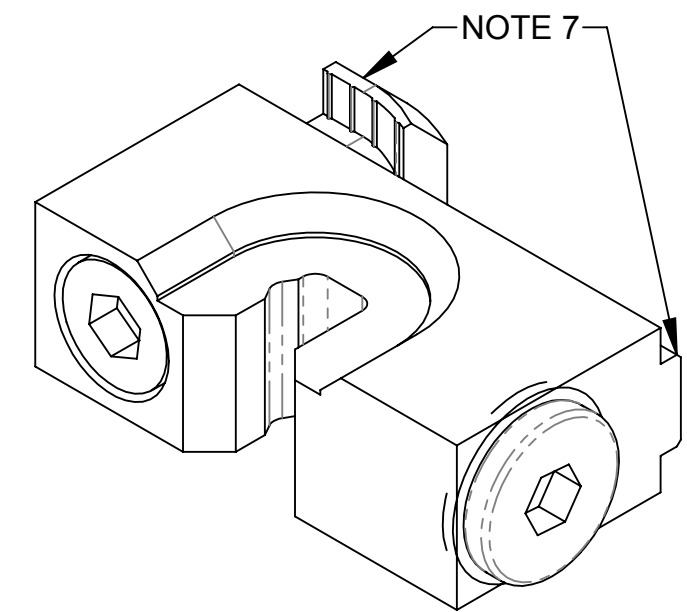
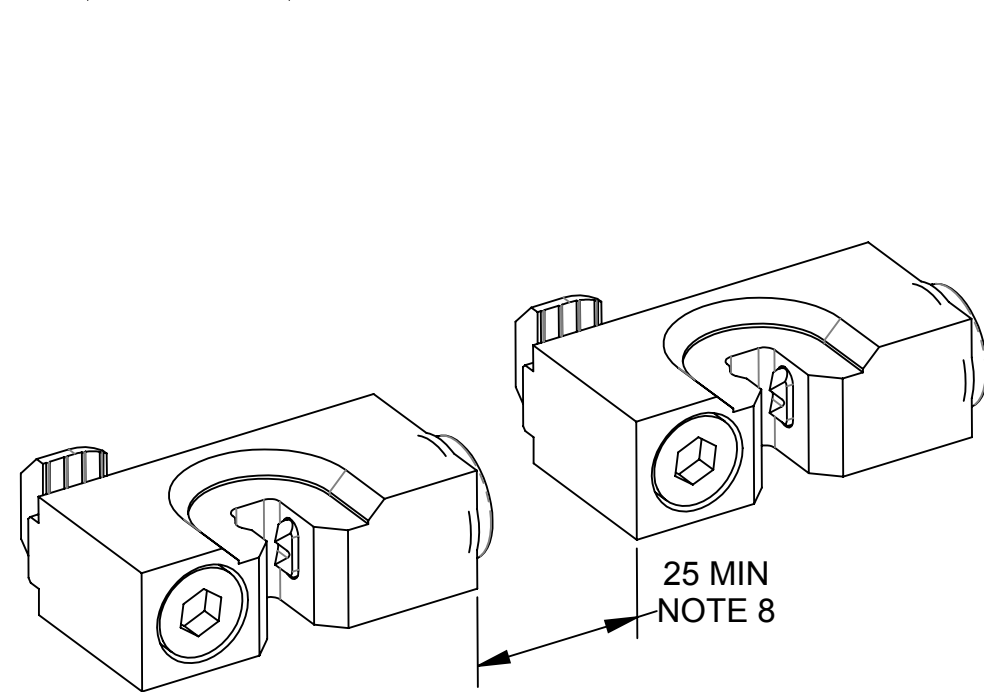
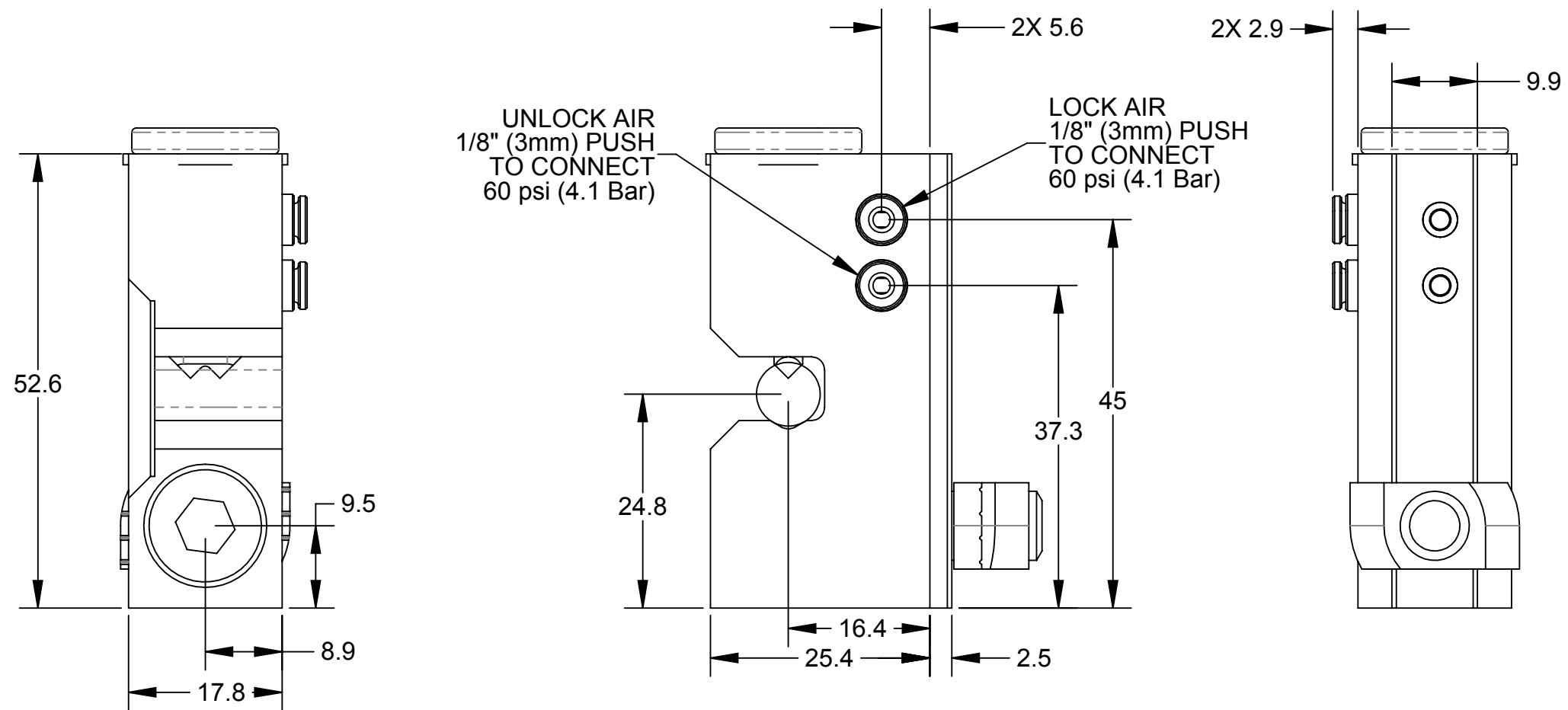
3rd ANGLE PROJECTION



1031 Goodworth Drive, Apex, NC 27539, USA
 Tel: +1.919.772.0115 Email: info@ati-ia.com
 Fax: +1.919.772.8259 www.ati-ia.com
 ISO 9001 Registered Company

PROPERTY OF ATI INDUSTRIAL AUTOMATION, INC. NOT TO BE REPRODUCED IN ANY MANNER EXCEPT ON ORDER OR WITH PRIOR WRITTEN AUTHORIZATION OF ATI.

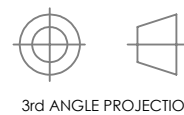
DRAWN BY: D. Bohle 5/14/2019		TITLE	
CHECKED BY: J. Ray 5/16/2019		Compliant Deburring Blade Customer Drawing	
PROJECT # 170926-4	SHEET 1 OF 4	SCALE 2:3	SIZE B
DRAWING NUMBER 9630-50-CDB-8-11-ATC		REVISION 03	



NOTES:
 7. INTERFACE TO 10mm T-SLOT EXTRUDED RAIL.
 8. IF ADDING ADDITIONAL RAILS, MINIMUM SPACE REQUIRED BETWEEN BLOCKS IS 25mm.

NOTES: UNLESS OTHERWISE SPECIFIED.

DO NOT SCALE DRAWING. ALL DIMENSIONS ARE IN MILLIMETERS.

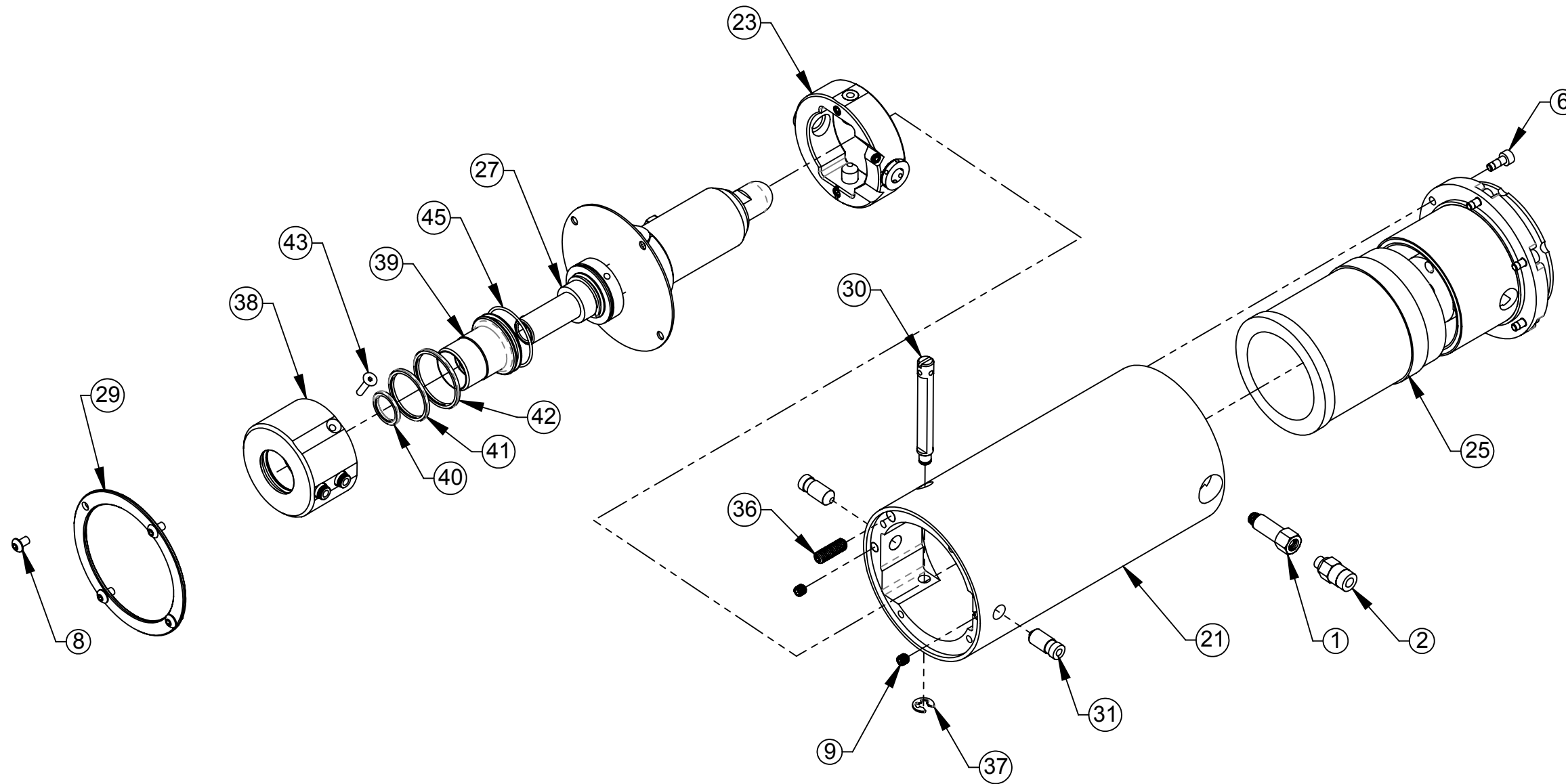


1031 Goodworth Drive, Apex, NC 27539, USA
 Tel: +1.919.772.0115 www.ati-ia.com
 Fax: +1.919.772.8259 ISO 9001 Registered Company

PROPERTY OF ATI INDUSTRIAL AUTOMATION, INC. NOT TO BE REPRODUCED IN ANY MANNER EXCEPT ON ORDER OR WITH PRIOR WRITTEN AUTHORIZATION OF ATI.

DRAWN BY: D. Bohle 5/14/2019		TITLE		
CHECKED BY: J. Ray 5/16/2019		Compliant Deburring Blade Customer Drawing		
PROJECT # 170926-4	SHEET 2 OF 4	SCALE 3:2	SIZE B	DRAWING NUMBER 9630-50-CDB-8-11-ATC
				REVISION 03

9150-CDB-8-11-ATC



NOTES: UNLESS OTHERWISE SPECIFIED.

DO NOT SCALE DRAWING. ALL DIMENSIONS ARE IN MILLIMETERS.



3rd ANGLE PROJECTION

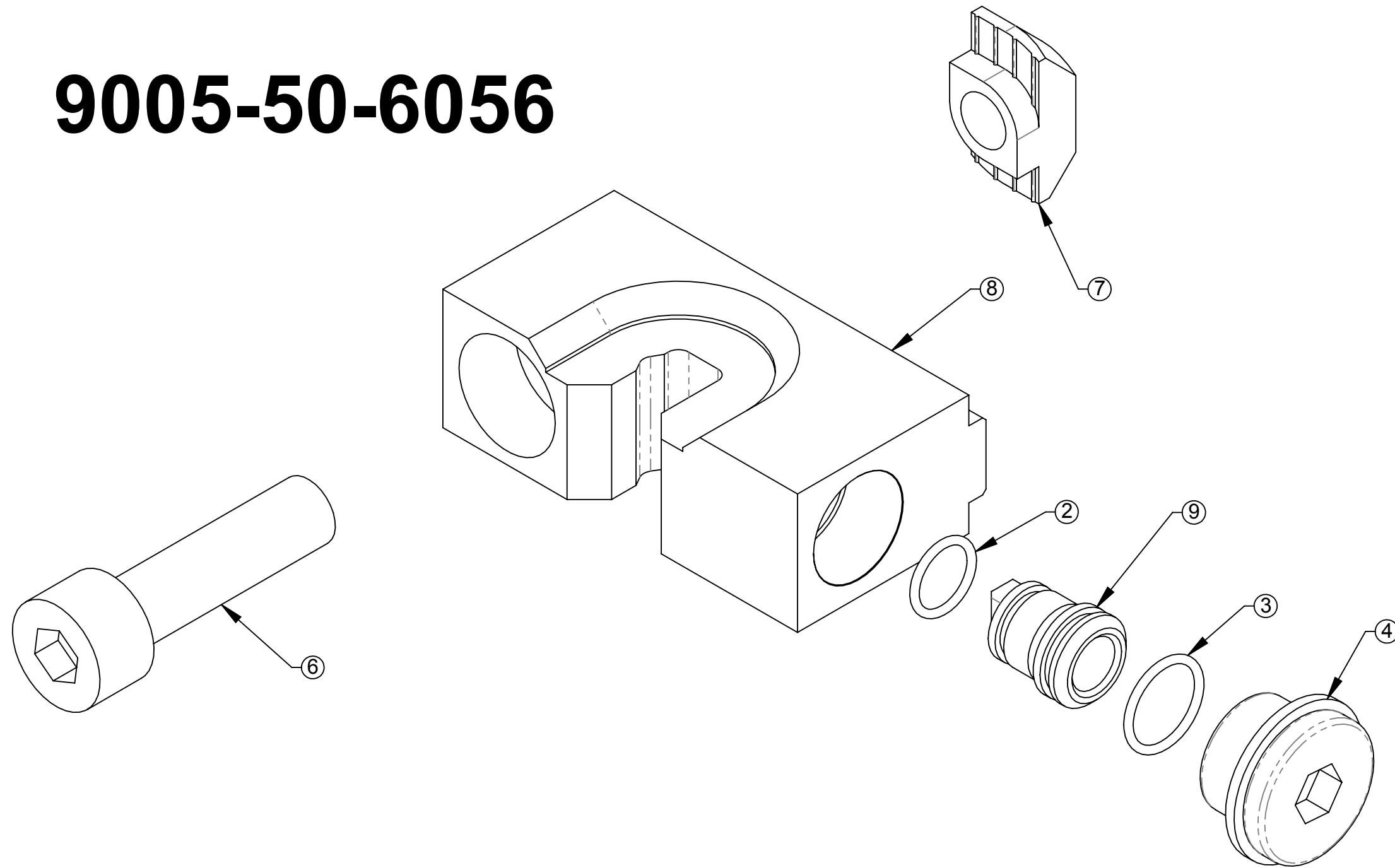


1031 Goodworth Drive, Apex, NC 27539, USA
 Tel: +1.919.772.0115 Email: info@ati-ia.com
 Fax: +1.919.772.8259 www.ati-ia.com
 ISO 9001 Registered Company

PROPERTY OF ATI INDUSTRIAL AUTOMATION, INC. NOT TO BE REPRODUCED IN ANY MANNER EXCEPT ON ORDER OR WITH PRIOR WRITTEN AUTHORIZATION OF ATI.

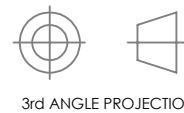
DRAWN BY: D. Bohle 5/14/2019		TITLE		
CHECKED BY: J. Ray 5/16/2019		Compliant Deburring Blade Customer Drawing		
PROJECT #	170926-4	SHEET	3	OF 4
SCALE	1:5	SIZE	B	DRAWING NUMBER
		9630-50-CDB-8-11-ATC		REVISION
				03

9005-50-6056



NOTES: UNLESS OTHERWISE SPECIFIED.

DO NOT SCALE DRAWING. ALL DIMENSIONS ARE IN MILLIMETERS.



1031 Goodworth Drive, Apex, NC 27539, USA
 Tel: +1.919.772.0115 www.ati-ia.com
 Fax: +1.919.772.8259 ISO 9001 Registered Company

PROPERTY OF ATI INDUSTRIAL AUTOMATION, INC. NOT TO BE REPRODUCED IN ANY MANNER EXCEPT ON ORDER OR WITH PRIOR WRITTEN AUTHORIZATION OF ATI.

DRAWN BY: D. Bohle 5/14/2019

CHECKED BY: J. Ray 5/16/2019

TITLE
Compliant Deburring Blade Customer Drawing

PROJECT # 170926-4 SHEET 4 OF 4

SCALE
 1:2

SIZE
 B

DRAWING NUMBER
 9630-50-CDB-8-11-ATC

REVISION
 03