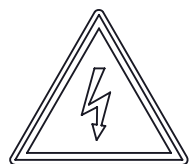
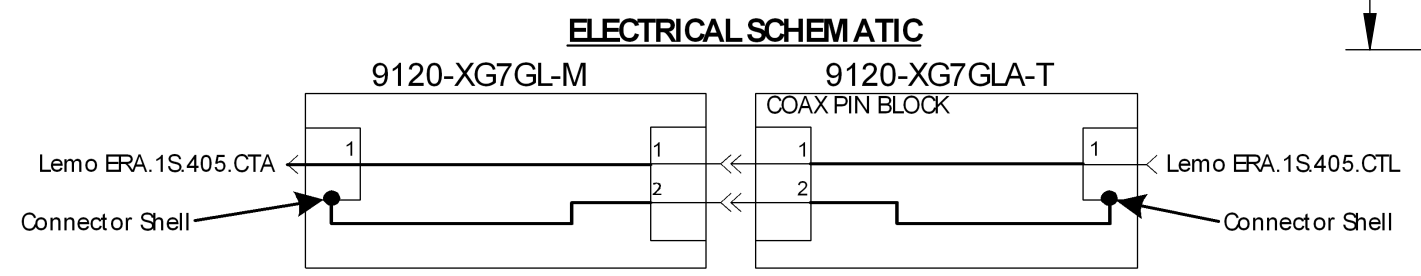
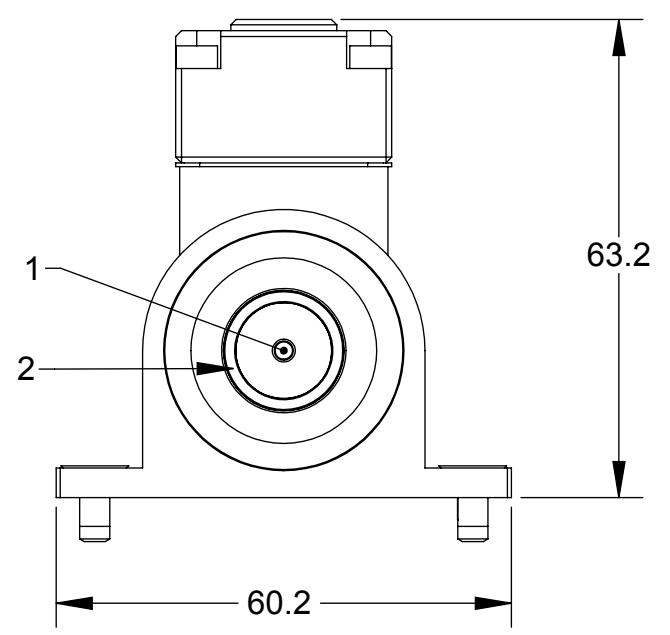
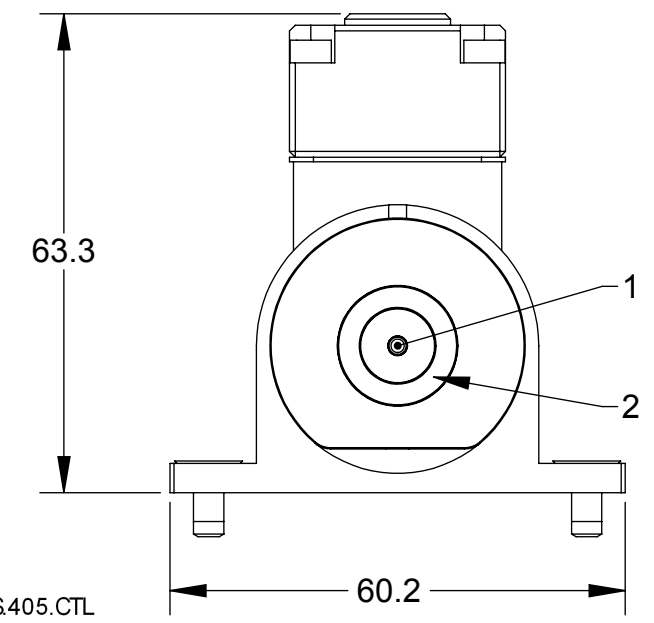
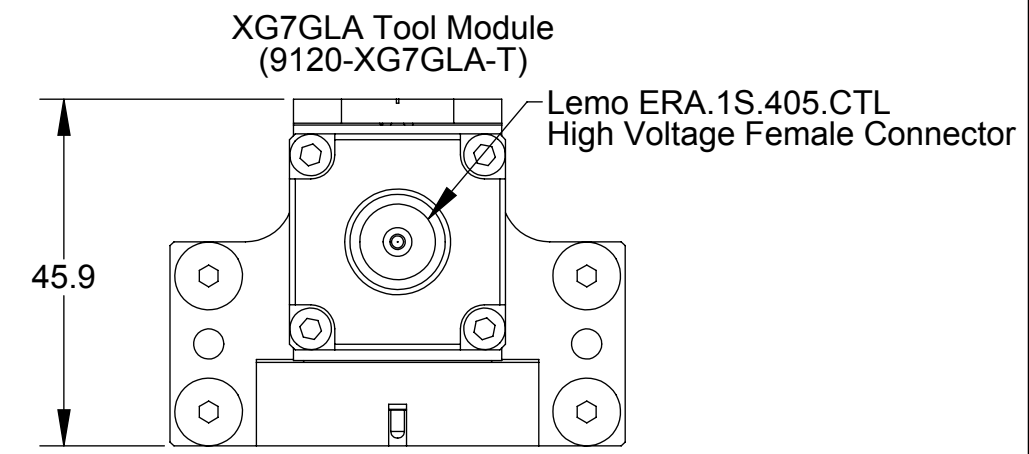
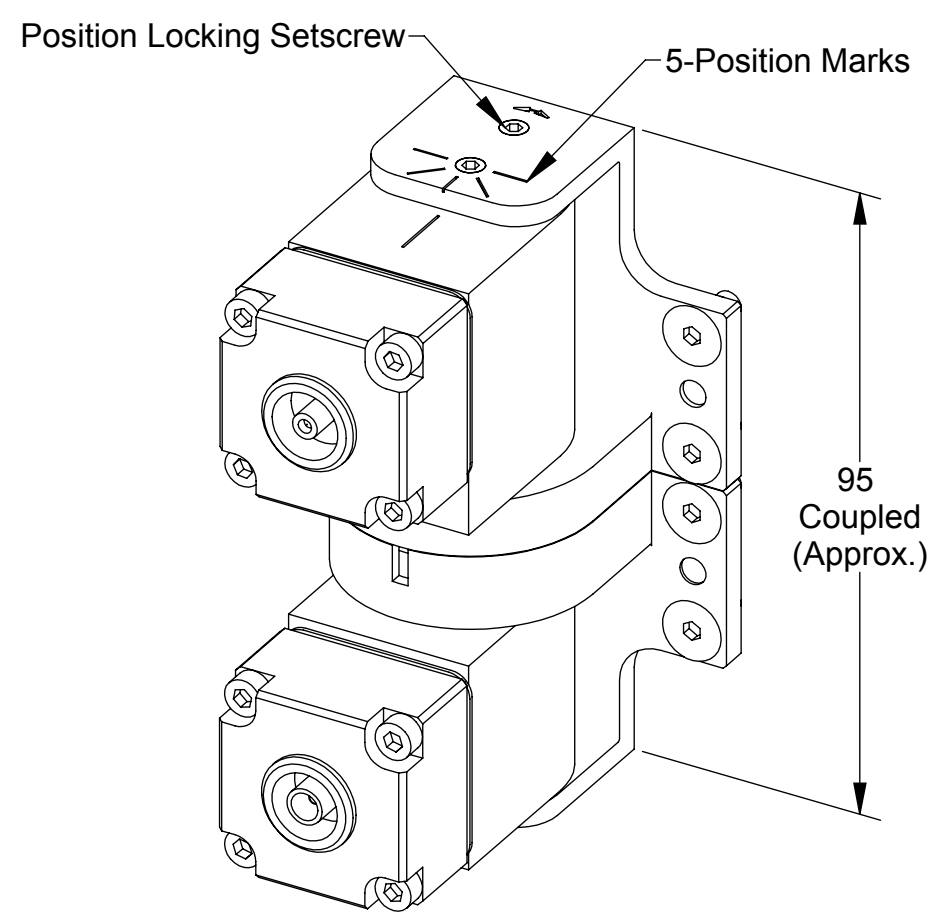
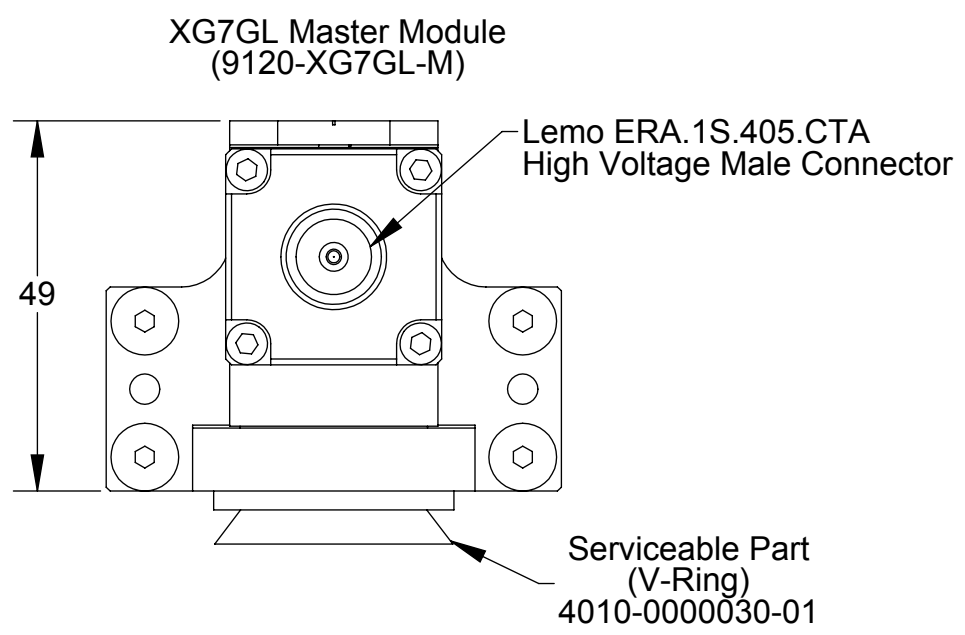


| Rev. | Description | Initiator | Date |
|------|-------------|-----------|----------|
| 02 | Release. | WB | 4/6/2020 |



"DANGER!" - Electrical Shock Hazard

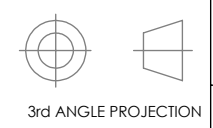
This module has a Voltage of 50V or greater, NO contact should be attempted before removing power. This especially includes separation or insertion of the mating connectors or any contact with the tool changer or its components.



- Notes:
1. The Master module and the Tool module have 5-position options which be adjusted as required.
 2. Warning: The modules must be adjusted and secured into position prior to operation, otherwise internal damage may occur.
 3. Internal wiring: Discrete Wires.
 4. Lemo ERA.1S.405.CTA/CTL connector shields are isolated from the Module Housings.
 5. The XG7GL-M and XG7GLA-T modules are rated to 4A, 1.4 kV max.

NOTES: UNLESS OTHERWISE SPECIFIED.

DO NOT SCALE DRAWING. ALL DIMENSIONS ARE IN MILLIMETERS.



1031 Goodworth Drive, Apex, NC 27539, USA
 Tel: +1.919.772.0115 Email: info@ati-ia.com
 Fax: +1.919.772.8259 www.ati-ia.com
 ISO 9001 Registered Company

PROPERTY OF ATI INDUSTRIAL AUTOMATION, INC. NOT TO BE REPRODUCED IN ANY MANNER EXCEPT ON ORDER OR WITH PRIOR WRITTEN AUTHORIZATION OF ATI.

| | | | |
|---------------------------------|--------------|--|------------------------|
| DRAWN BY: W. Berrocal, 2/3/2020 | | TITLE | |
| CHECKED BY: P. Luczka, 2/7/2020 | | Ultrasonic Weld Module w/ Isolated Lemo High Voltage Connector | |
| PROJECT # 200130-1 | SHEET 1 OF 1 | SCALE | REVISION |
| | | 1:1 | 02 |
| | | SIZE | DRAWING NUMBER |
| | | B | 9630-20-XG7GLM XG7GLAT |