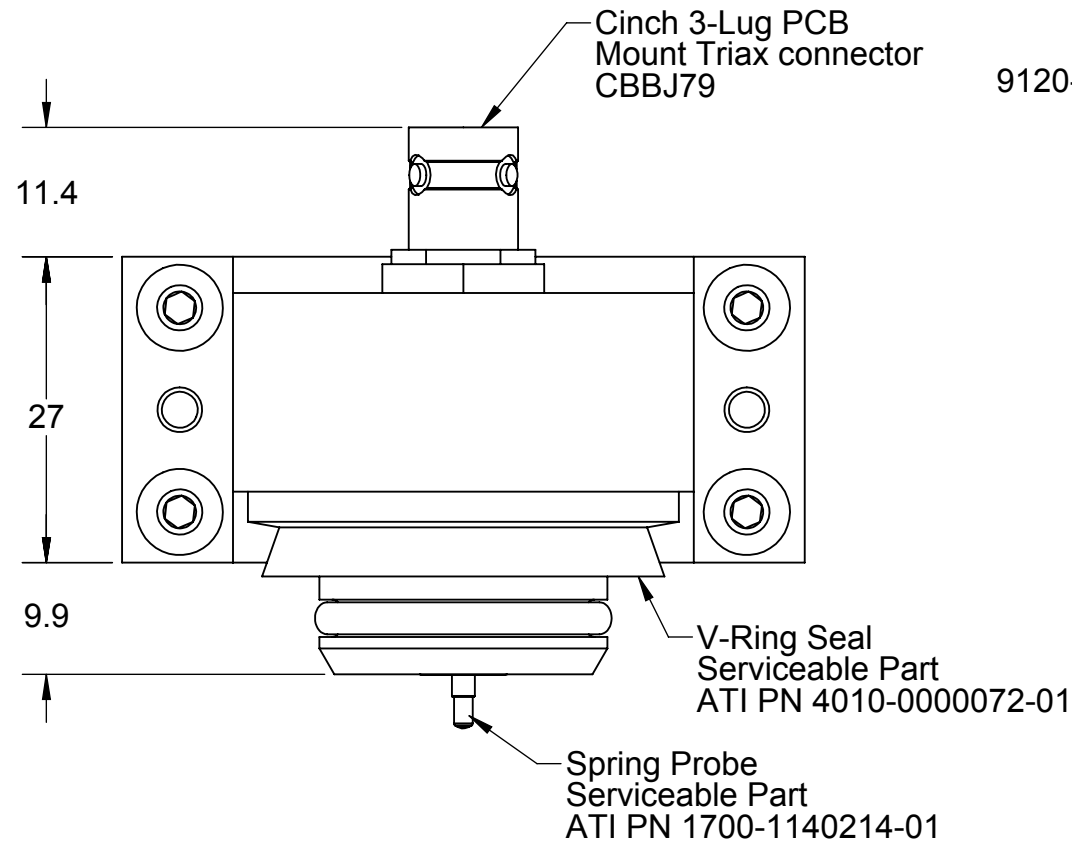
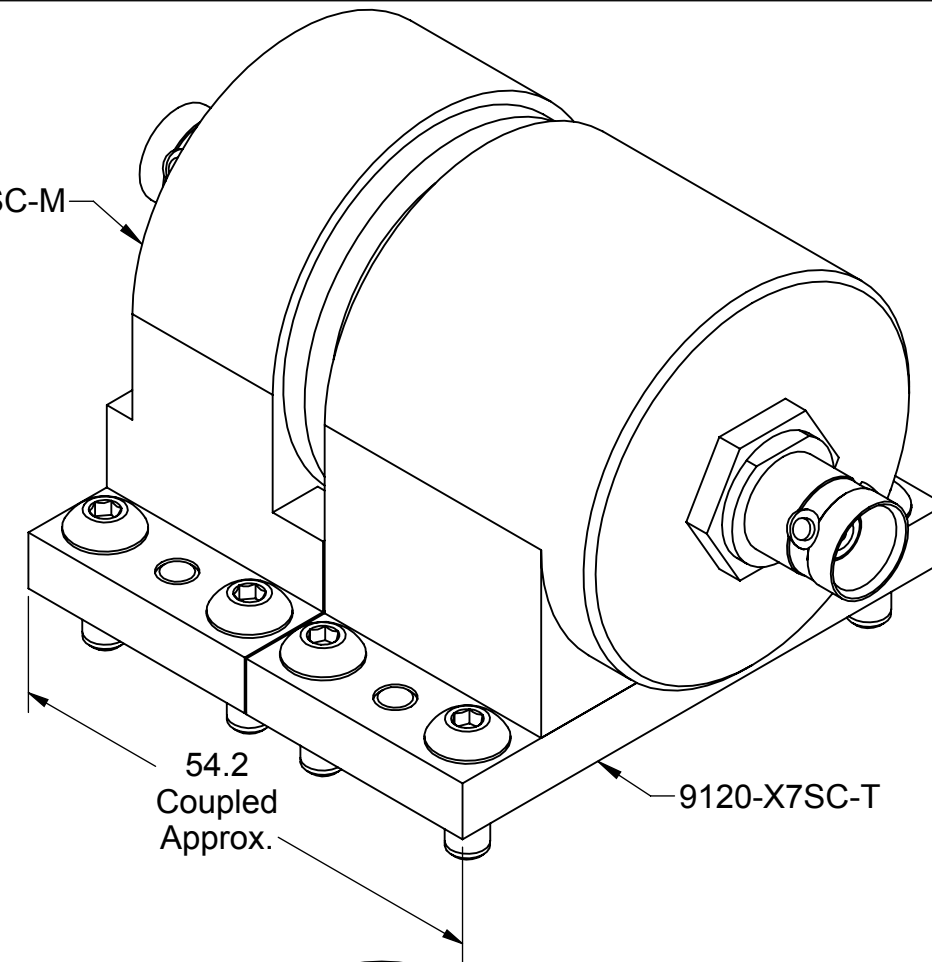


Rev.	Description	Initiator	Date
04	Eco 18392; 1700-1140214-01 was 1700-1140213-01, 3700-20-10233 was 3700-20-9830.	LJH	10/31/19

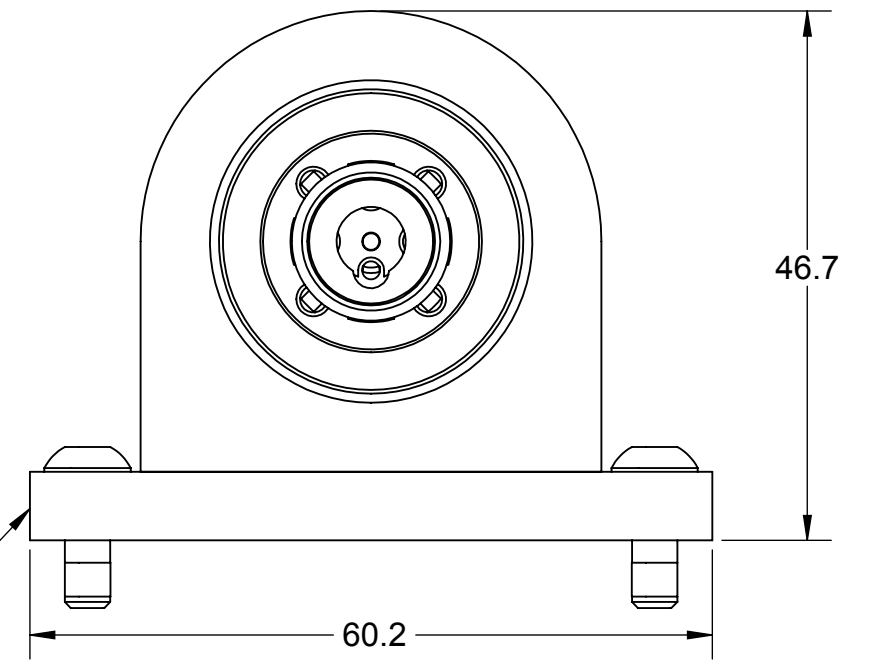
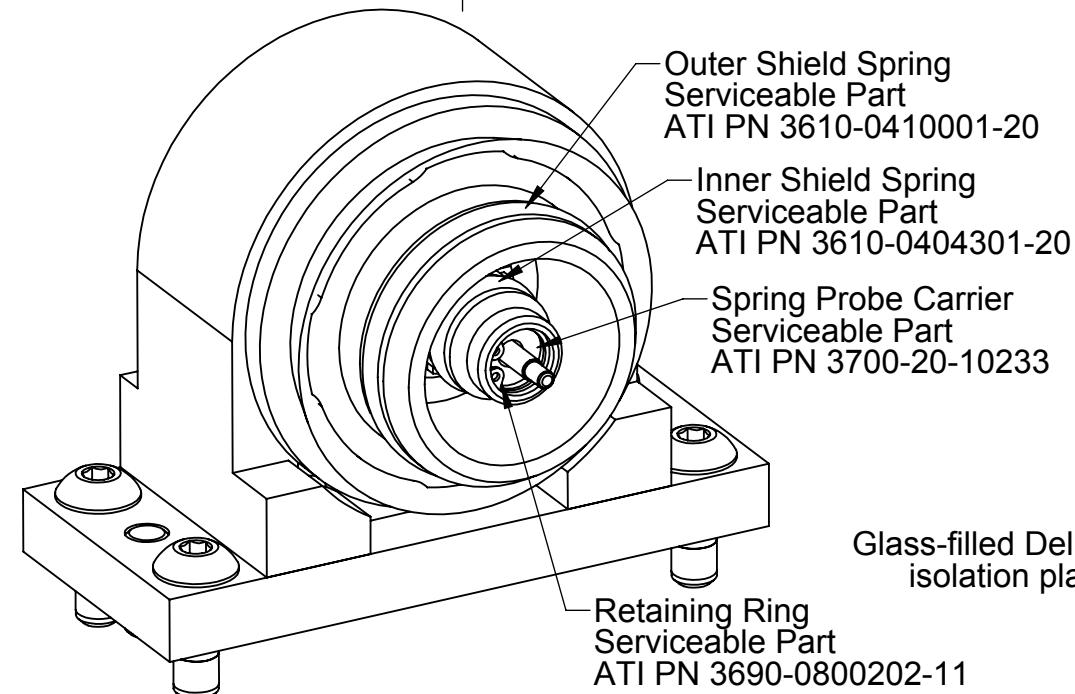
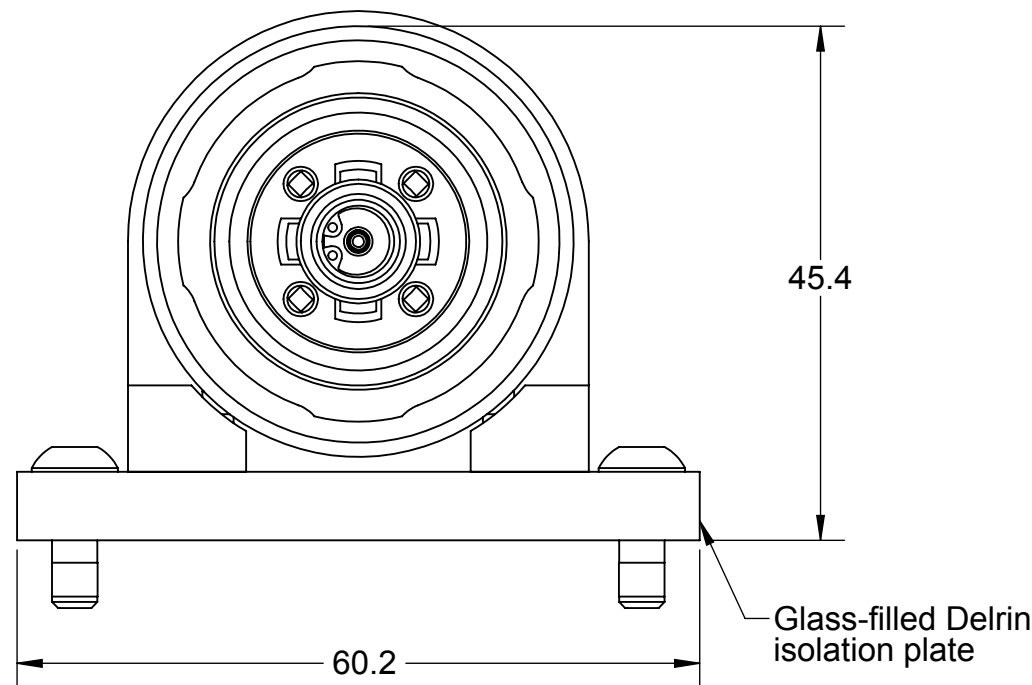
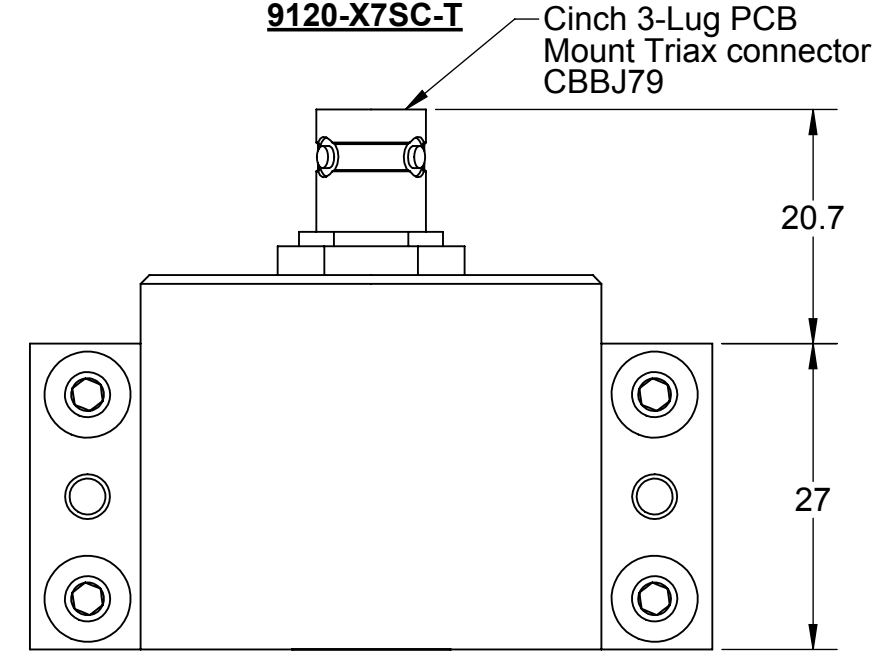
9120-X7SC-M



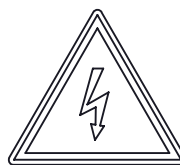
9120-X7SC-M



9120-X7SC-T



- Notes:
1. Electrical schematic shown on Sheet 2.
 2. 3A maximum current through center spring probe. 400 VRMS connector rating.



"DANGER!" - Electrical Shock Hazard

This module has a Voltage of 50V or greater, NO contact should be attempted before removing power. This especially includes separation or insertion of the mating connectors or any contact with the tool changer or its components.

NOTES: UNLESS OTHERWISE SPECIFIED.

DO NOT SCALE DRAWING. ALL DIMENSIONS ARE IN MILLIMETERS.



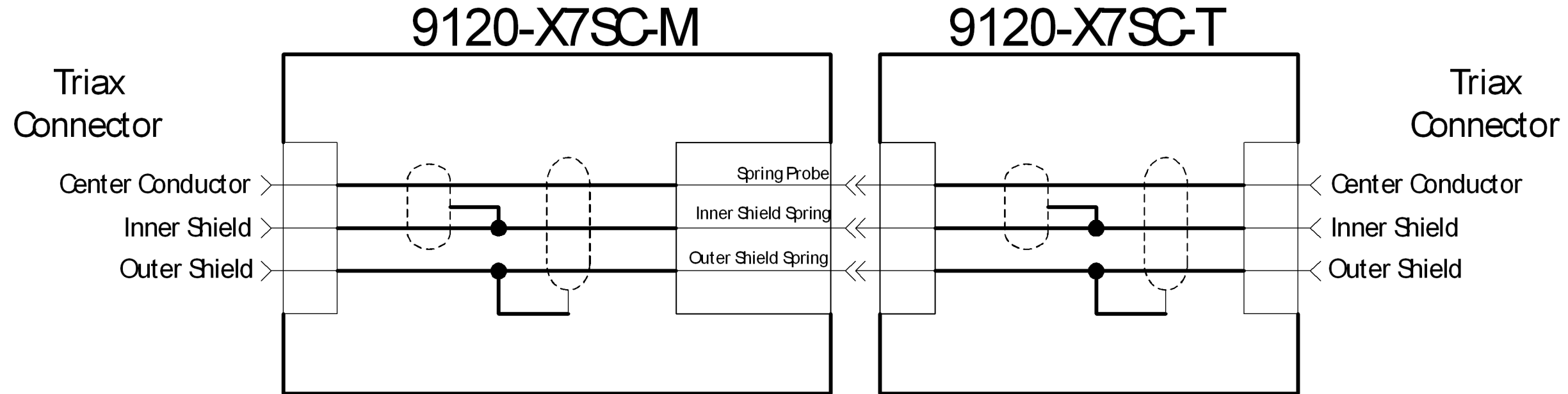
3rd ANGLE PROJECTION



1031 Goodworth Drive, Apex, NC 27539, USA
 Tel: +1.919.772.0115 Email: info@ati-ia.com
 Fax: +1.919.772.8259 www.ati-ia.com
 ISO 9001 Registered Company

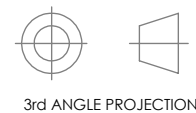
PROPERTY OF ATI INDUSTRIAL AUTOMATION, INC. NOT TO BE REPRODUCED IN ANY MANNER EXCEPT ON ORDER OR WITH PRIOR WRITTEN AUTHORIZATION OF ATI.

DRAWN BY: W. Berrocal, 6/9/16		TITLE	
CHECKED BY: A. Takla, 6/24/16 D. Fleissner, 6/23/16		X7SC Customer Drawing	
PROJECT # 160411-5	SHEET 1 OF 2	SCALE 1:1	SIZE B
		DRAWING NUMBER 9630-20-X7SC	REVISION 04



NOTES: UNLESS OTHERWISE SPECIFIED.

DO NOT SCALE DRAWING. ALL DIMENSIONS ARE IN MILLIMETERS.



1031 Goodworth Drive, Apex, NC 27539, USA
 Tel: +1.919.772.0115 Email: info@ati-ia.com
 Fax: +1.919.772.8259 www.ati-ia.com
 ISO 9001 Registered Company

PROPERTY OF ATI INDUSTRIAL AUTOMATION, INC. NOT TO BE REPRODUCED IN ANY MANNER EXCEPT ON ORDER OR WITH PRIOR WRITTEN AUTHORIZATION OF ATI.

DRAWN BY: W. Berrocal, 6/9/16		TITLE		
CHECKED BY: A. Takla, 6/24/16 D. Fleissner, 6/23/16		X7SC Customer Drawing		
PROJECT #	160411-5	SHEET	2 OF 2	REVISION
SCALE	1:1	SIZE	B	DRAWING NUMBER
				9630-20-X7SC
				04