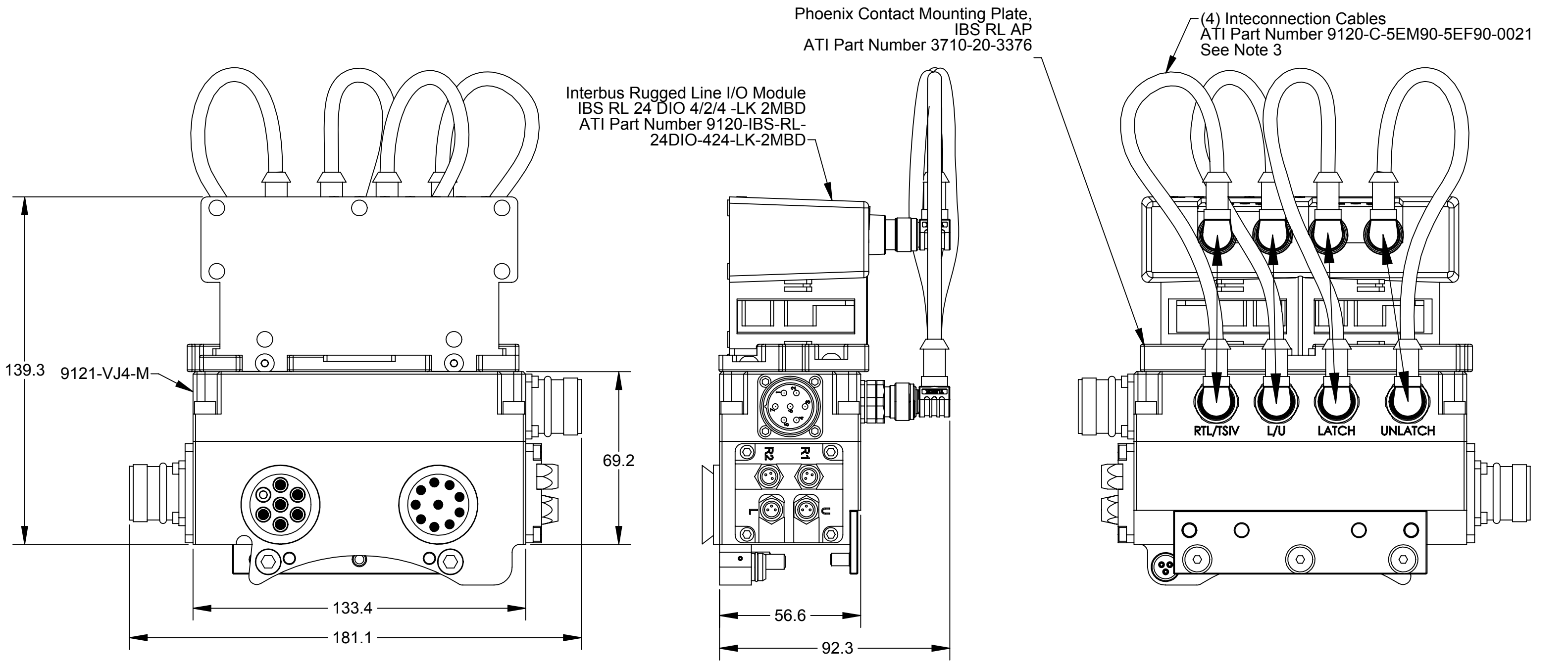


Rev.	Description	Initiator	Date
02	ECO 9996. Modified Note 1 to reflect addition of IBS Mounting Plate to VJ4 Master Module.	WB	7/24/2012
03	Eco 11106; Updated drawing to show 7 Pin Block Assembly with Spring Probe.	CF	6/13/2013



Notes:

- The 9120-VJ5-M module contains the following:
 - (1) 9121-VJ4-M Master Module (includes Phoenix Contact Mounting Plate)
 - (1) Interbus Rugged Line I/O Module
 - (4) Interconnection Cables

All of these components are available separately from ATI.

- Reference the VJ4 Module customer drawing (9630-20-VJ4) for connector pin designations and electrical schematics.
- The four interconnecting cables are bagged separately (the cables DO NOT come connected to the modules). Prior to operating the modules connect the cables as shown above.

NOTES: UNLESS OTHERWISE SPECIFIED.

DO NOT SCALE DRAWING. ALL DIMENSIONS ARE IN MILLIMETERS.



3rd ANGLE PROJECTION



1031 Goodworth Drive, Apex, NC 27539, USA
Tel: +1.919.772.0115 Email: info@ati-ia.com
Fax: +1.919.772.8259 www.ati-ia.com
ISO 9001 Registered Company

PROPERTY OF ATI INDUSTRIAL AUTOMATION, INC. NOT TO BE REPRODUCED IN ANY MANNER EXCEPT ON ORDER OR WITH PRIOR WRITTEN AUTHORIZATION OF ATI.

DRAWN BY: W. Berrocal, 8/11/11		TITLE	
CHECKED BY: P. Luczka, 10/4/11		VJ5 Discrete Master Module	
PROJECT # 080918-2	SHEET 1 OF 1	SCALE 1:5	SIZE B
		DRAWING NUMBER 9630-20-VJ5	REVISION 03