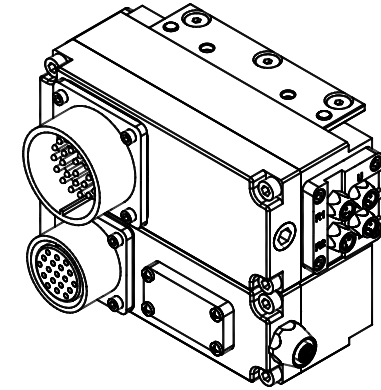
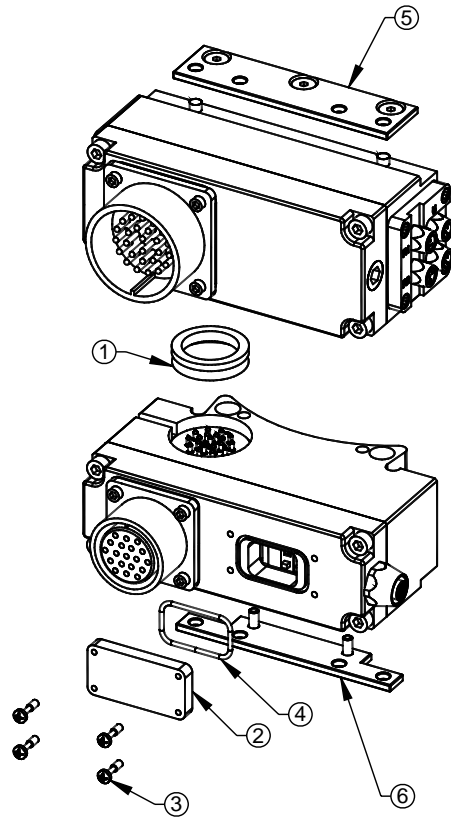


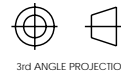
Rev.	Description	Initiator	Date
-	See Sheet1	-	-

VB2 Family Serviceable Parts



ITEM NO.	QTY.	PART NUMBER	DESCRIPTION
1	1	4010-000030-01	V-Ring Seal
2	1	3700-20-2696	Thick Window for DP/DE45 Master
3	4	3500-9957012-21	CAPTIVE SCREW M3 X 12 SLOTTED HEAD SS
4	1	3410-0001092-01	O-ring AS568-023
5	1	9005-20-1198	Master Cleat Sub-Assembly
6	1	9005-20-1199	Tool Cleat Sub-Assembly
49	1	3540-0101062-21	1/16 x 5/8 Dowel Pin SST
50	1	3490-0001039-01	Plug 1/4" NPT Hex, Brass, Pre-Applied Sealer

NOTES: UNLESS OTHERWISE SPECIFIED
 DO NOT SCALE DRAWING. DRAWN IN SOLIDWORKS.
 ALL DIMENSIONS ARE IN MILLIMETERS.



3rd ANGLE PROJECTION



1031 Goodworth Drive, Apex, NC 27539, USA
 Tel: +1.919.772.0115 Email: info@ati-ia.com
 Fax: +1.919.772.8259 www.ati-ia.com
 ISO 9001 Registered Company

DRAWN BY: P.Sparrow, 4/22/05	TITLE VB2 Family Module Drawing		
CHECKED BY: B.Digeso, 5/10/05	SCALE 1:2	SIZE B	DRAWING NUMBER 9630-20-VB2 Family-05
WEIGHT LBS: 1.64	PRODUCT RELEASE #	DATE:	SHEET 2 OF 5
ASSEMBLY REF:			