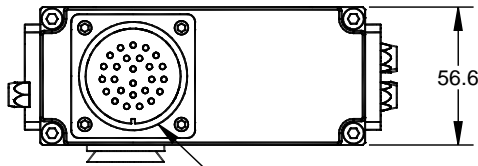


VB2 Family Dimensions

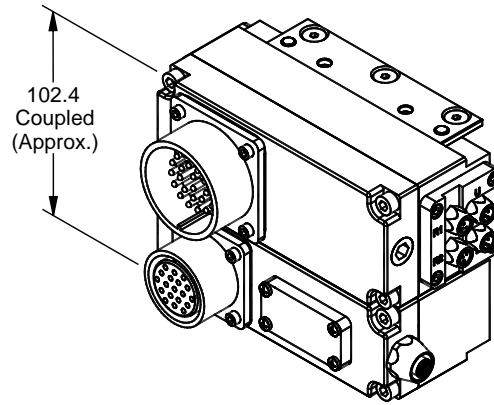
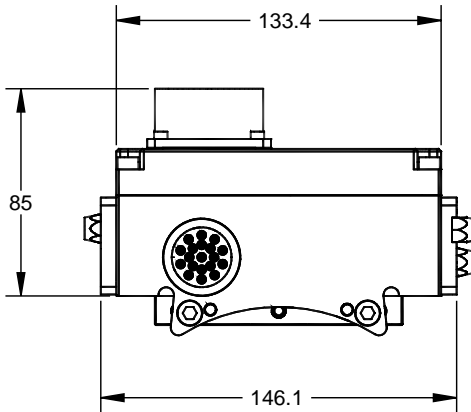
Rev.	Description	Initiator	Date
-	See Sheet1	-	-

" DANGER! - For electrical modules using > 60VDC or 42 VAC, NO contact should be attempted before removing power. This especially includes separation or insertion of the mating connectors or any contact with the tool changer or its components."

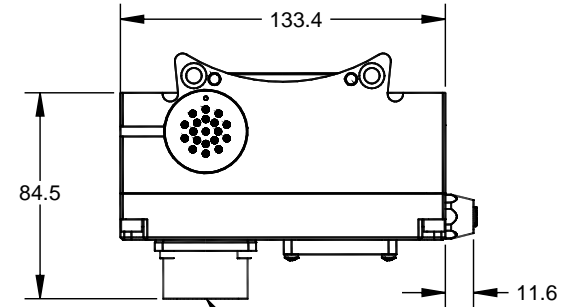
VB2 Master Module
(9121-VB2-M)



MS3102E28-12P
Male Connector

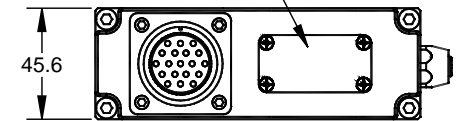


VB Tool Modules
(9121-VBx-T)



MS3102E22-14S
Female Connector

Tool ID Switches
Accessible Through Window
(If Applicable)
(Window Not Shown for Clarity)
(VB4-T Shown)

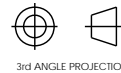


Sheet Configurations

- Sheet 1: VB2 Family Dimensions
- Sheet 2: VB2 Family Serviceable Parts
- Sheet 3: VB2 Master with VB2 Tool
- Sheet 4: VB2 Master with VB3 Tool (0-9 Tool ID)
- Sheet 5: VB2 Master with VB4 Tool (0-99 Tool ID)

NOTES: UNLESS OTHERWISE SPECIFIED

DO NOT SCALE DRAWING. DRAWN IN SOLIDWORKS.
 ALL DIMENSIONS ARE IN MILLIMETERS.



3rd ANGLE PROJECTION



1031 Goodworth Drive, Apex, NC 27539, USA
 Tel: +1.919.772.0115 Email: info@ati-ia.com
 Fax: +1.919.772.8259 www.ati-ia.com
 ISO 9001 Registered Company

DRAWN BY: P.Sparrow, 4/22/05	TITLE: VB2 Family Module Drawing		
CHECKED BY: B.Digeso, 5/10/05	SCALE: 1:2	SIZE: B	DRAWING NUMBER: 9630-20-VB2 Family-05
WEIGHT LBS: 1.64	PRODUCT RELEASE #	DATE:	SHEET 1 OF 5
ASSEMBLY REF:			