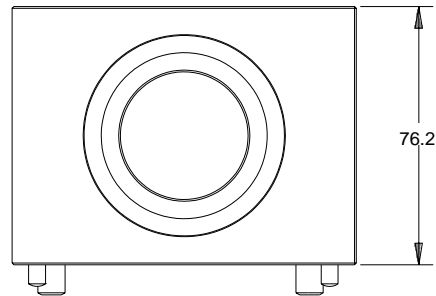
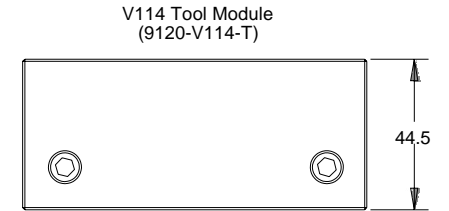
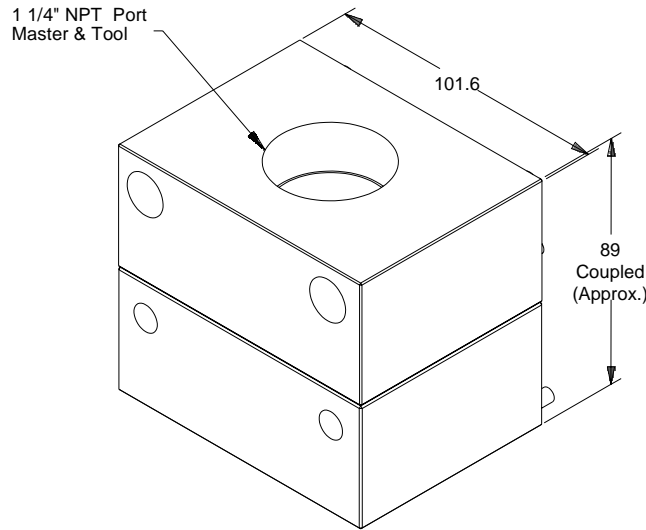
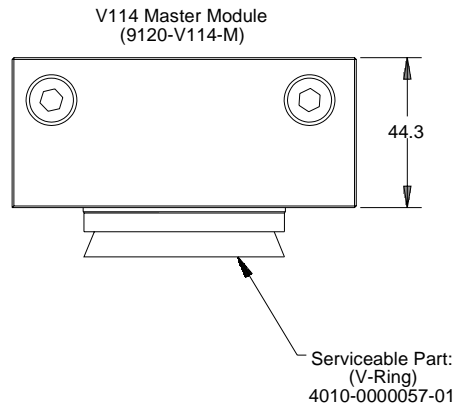


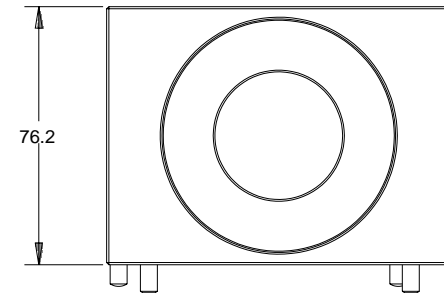
PROPERTY OF ATI INDUSTRIAL AUTOMATION, INC.
 NOT TO BE REPRODUCED IN ANY MANNER EXCEPT ON
 ORDER OR WITH PRIOR WRITTEN AUTHORIZATION OF ATI.

Rev.	Description	Initiator	Date
02	ECO# 3690 Updated notes.	PS	1/4/2005



Notes:
 Materials of Construction:
 1. Housing - Anodized Aluminum
 2. Other - Nitrile

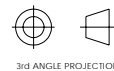
Operation:
 1. Vacuum Operation Only.
 2. For optimum performance inspect mating surfaces regularly
 to ensure they are free of debris.



NOTES: UNLESS OTHERWISE SPECIFIED
 DO NOT SCALE DRAWING. DRAWN IN SOLIDWORKS.
 ALL DIMENSIONS ARE IN MILLIMETERS.



1031 Goodworth Drive, Apex, NC 27539, USA
 Tel: +1.919.772.0115 Email: info@ati-ia.com
 Fax: +1.919.772.8259 www.ati-ia.com
 ISO 9001 Registered Company



DRAWN BY: P.Sparrow, 10/9/03	TITLE: V114 Module Drawing		
CHECKED BY: B.Digeso, 12/30/03	SCALE: 3:4	SIZE: B	DRAWING NUMBER: 9630-20-V114 -02
WEIGHT LBS: 3.4	PRODUCT RELEASE # 030714-1 DATE: SHEET 1 OF 1		
ASSEMBLY REF:			