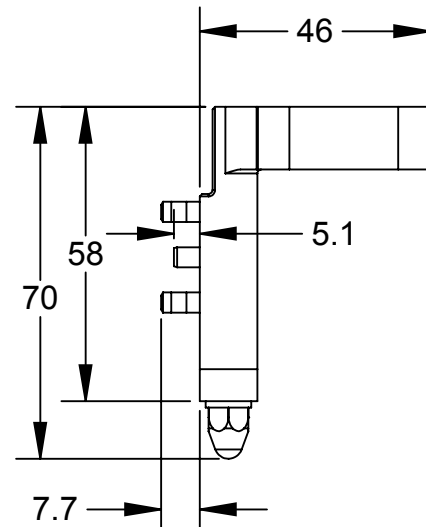
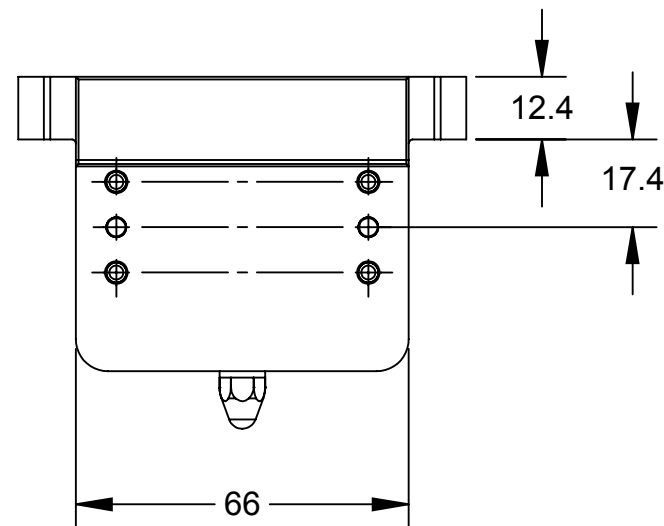
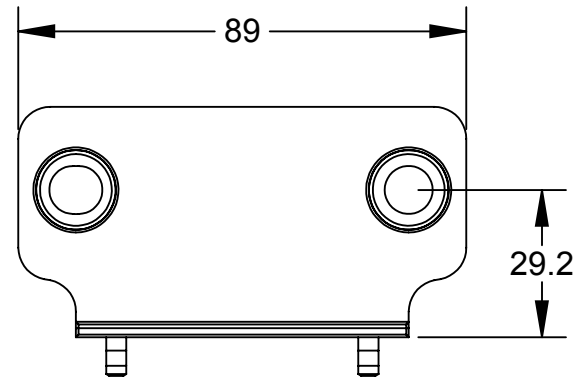
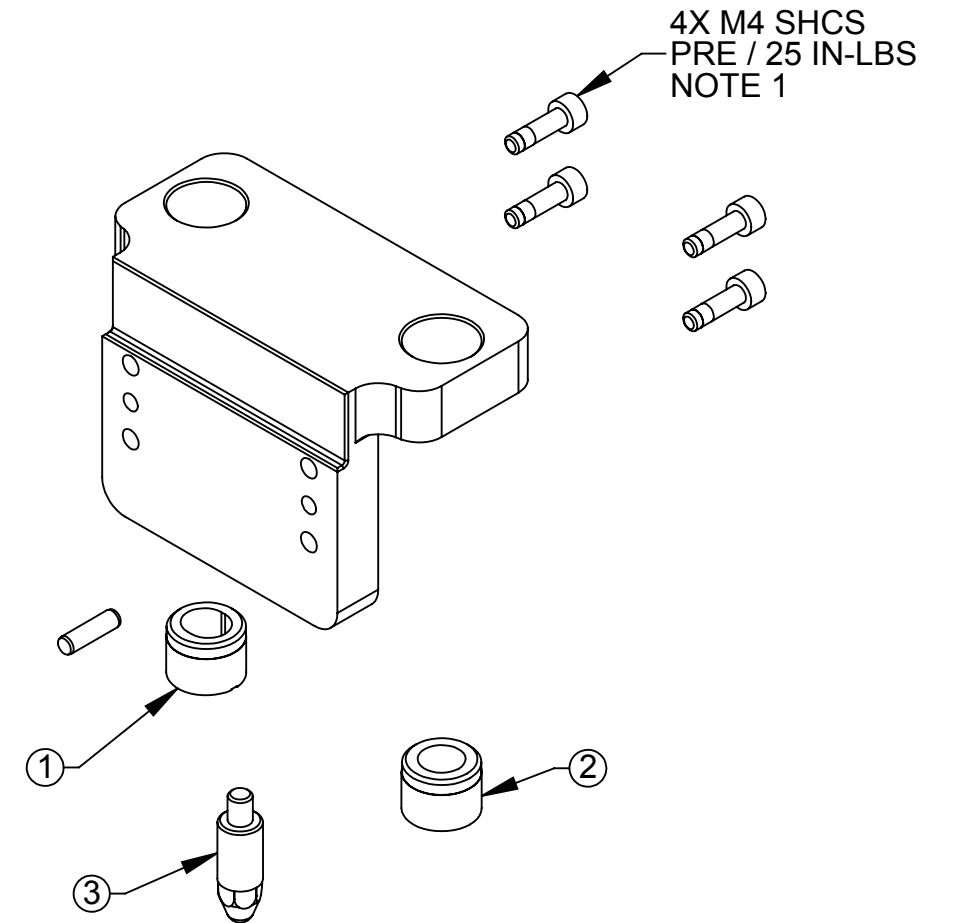


REV.	DESCRIPTION	INITIATOR	DATE
01	ECO 15412; INITIAL DRAWING	JMW	2/22/2017



2X M4 DOWEL
NOTE 2

4X M4 SHCS
PRE / 25 IN-LBS
NOTE 1



SERVICEABLE ITEMS

ITEM NO.	QTY	PART NUMBER	DESCRIPTION
1	1	3700-20-5200	Elongated Drill Bushing 3/8" dia, 5/8 OD, 1/2" long
2	1	3700-20-5230	Drill Bushing 3/8ID x 5/8OD x 1/2 L
3	1	3700-20-9006	TSS Alignment Pin

ITEM NO.	QTY.	PART NUMBER	DESCRIPTION
1	1	9120-TSS-VBQ-8206	TSS Pin and Bushing Vertical Tooling Plate w/J16 Pattern - notched

NOTES: UNLESS OTHERWISE SPECIFIED.

DO NOT SCALE DRAWING. ALL DIMENSIONS ARE IN MILLIMETERS.



1031 Goodworth Drive, Apex, NC 27539, USA
Tel: +1.919.772.0115 Email: info@ati-ia.com
Fax: +1.919.772.8259 www.ati-ia.com
ISO 9001 Registered Company

PROPERTY OF ATI INDUSTRIAL AUTOMATION, INC. NOT TO BE REPRODUCED IN ANY MANNER EXCEPT ON ORDER OR WITH PRIOR WRITTEN AUTHORIZATION OF ATI.



3rd ANGLE PROJECTION

DRAWN BY: J. Winterroth, 2/22/17

CHECKED BY: D. Norton, 2/28/17

PROJECT # 130412-1 SHEET 1 OF 1

TITLE

TSS Pin and Bushing Vertical Tooling Plate w/J16 Pattern - Notched

SCALE
2:3

SIZE
B

DRAWING NUMBER
9630-20-TSS-VBQ-8206

REVISION
01

NOTES:

- CUSTOMER TO INSTALL FASTENERS AND TORQUE TO LISTED VALUE.
- CUSTOMER TO PRESS DOWELS IF NEEDED.