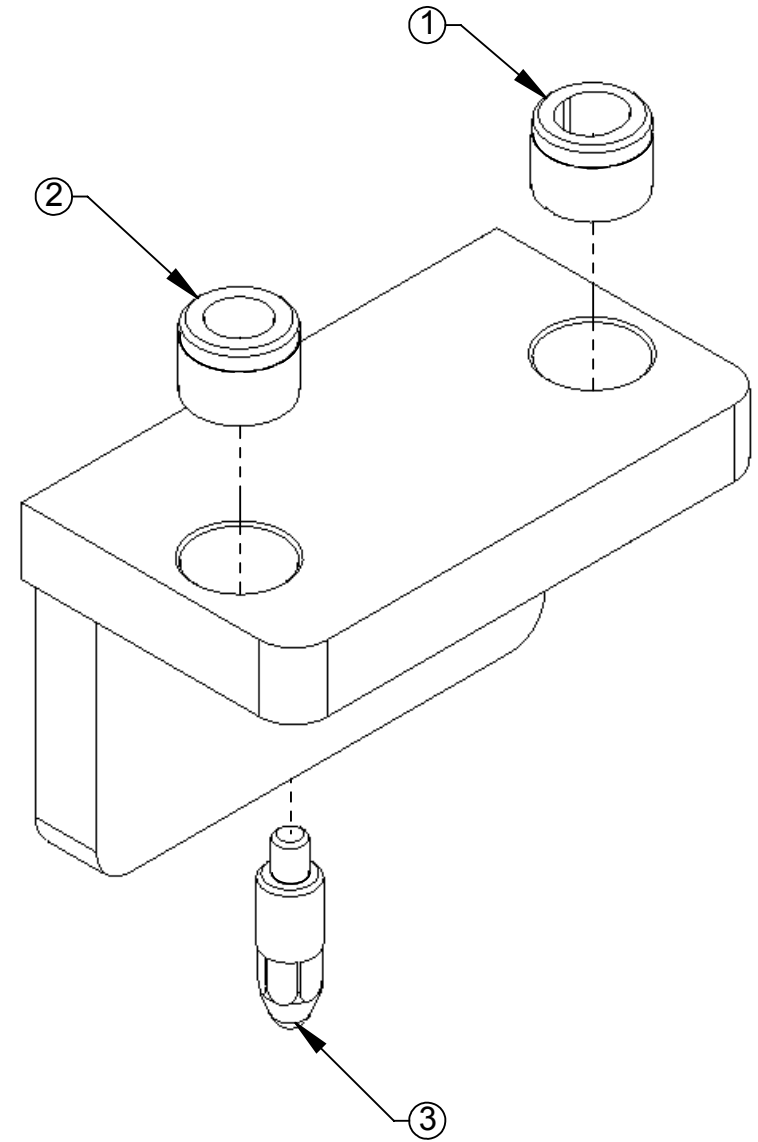
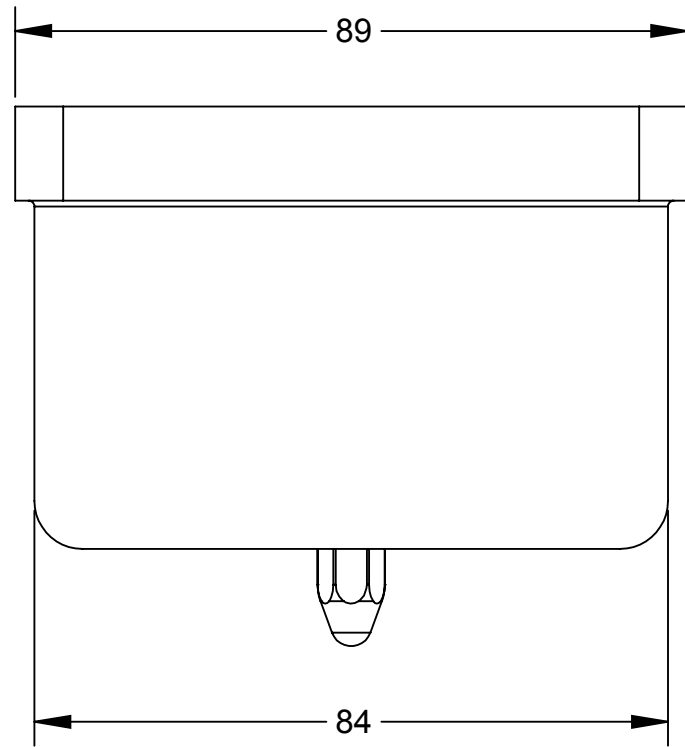
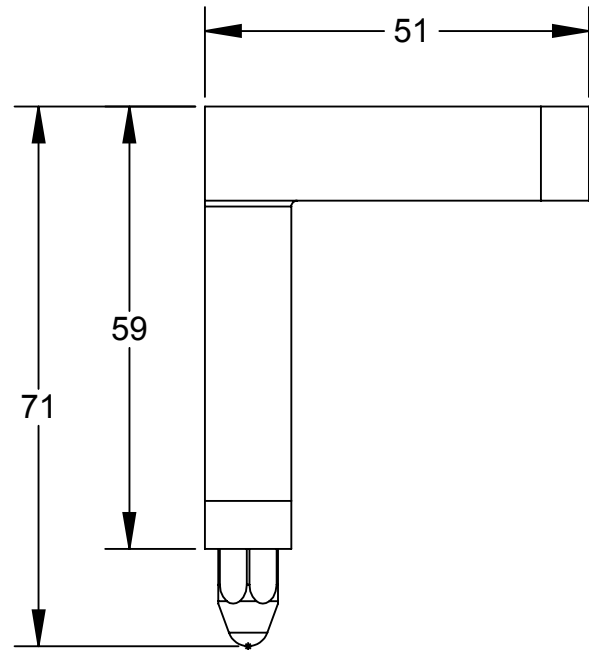
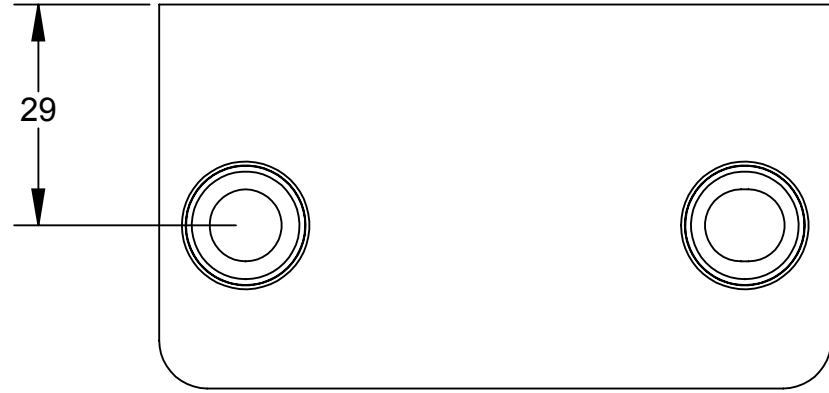


Rev.	Description	Initiator	Date
01	Initial Drawing	JDB	09/18/2013
02	ECO 12417: Added 'Serviceable Items' Table	DBoh	7/24/2014



Serviceable Items			
ITEM NO.	QTY.	PART NUMBER	DESCRIPTION
1	1	3700-20-5200	Elongated Drill Bushing 3/8" dia, 5/8 OD, 1/2" long
2	1	3700-20-5230	Drill Bushing 3/8ID x 5/8OD x 1/2 L
3	1	3700-20-5756	Alignment Pin

ITEM NO.	QTY.	PART NUMBER	DESCRIPTION
1	1	9120-TSS-VBB-7963	TSS Vertical Tooling Interface Plate - Blank

NOTES: UNLESS OTHERWISE SPECIFIED.  
DO NOT SCALE DRAWING. ALL DIMENSIONS ARE IN MILLIMETERS.

**ATI INDUSTRIAL AUTOMATION**

1031 Goodworth Drive, Apex, NC 27539, USA  
Tel: +1.919.772.0115 Email: info@ati-ia.com  
Fax: +1.919.772.8259 www.ati-ia.com  
ISO 9001 Registered Company

PROPERTY OF ATI INDUSTRIAL AUTOMATION, INC. NOT TO BE REPRODUCED IN ANY MANNER EXCEPT ON ORDER OR WITH PRIOR WRITTEN AUTHORIZATION OF ATI.

DRAWN BY: D.Brewer, 9/20/13		TITLE	
CHECKED BY: J. Winterroth, 11/18/13		TSS Vertical Tooling Interface Plate - Blank	
SCALE	SIZE	DRAWING NUMBER	REVISION
1:2	B	9630-20-TSS-VBB-7963	02

3rd ANGLE PROJECTION