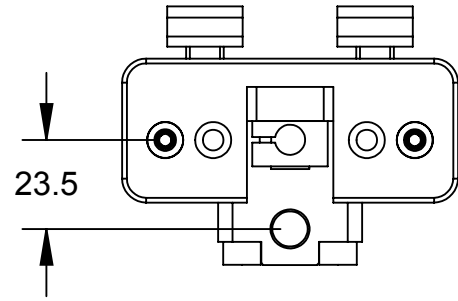
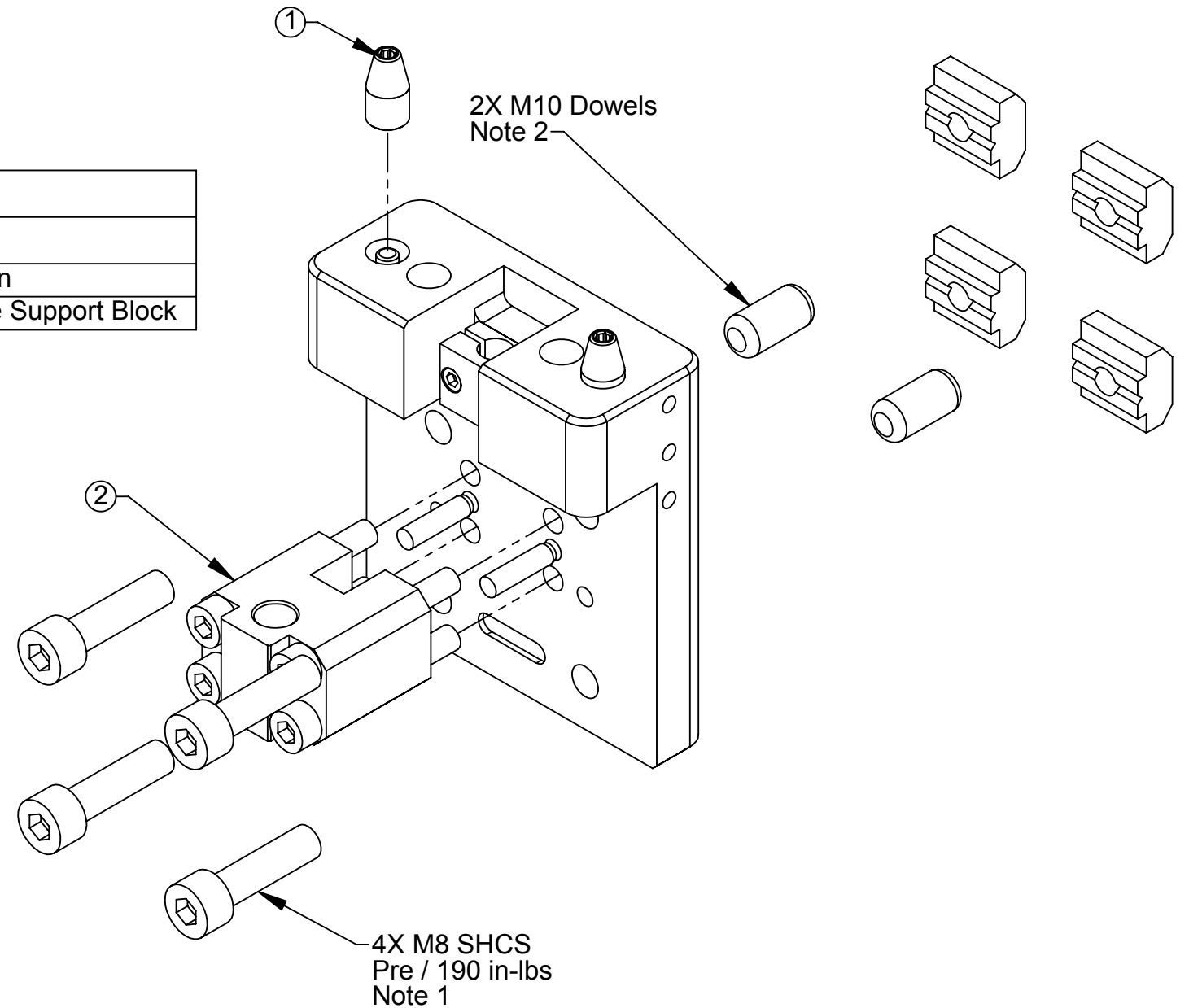
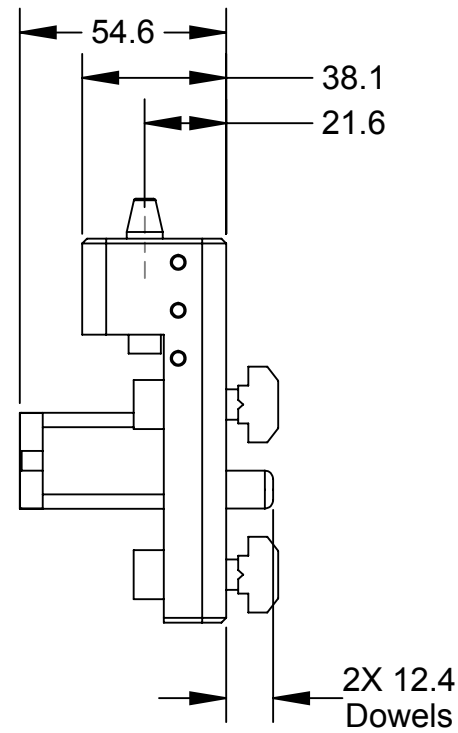
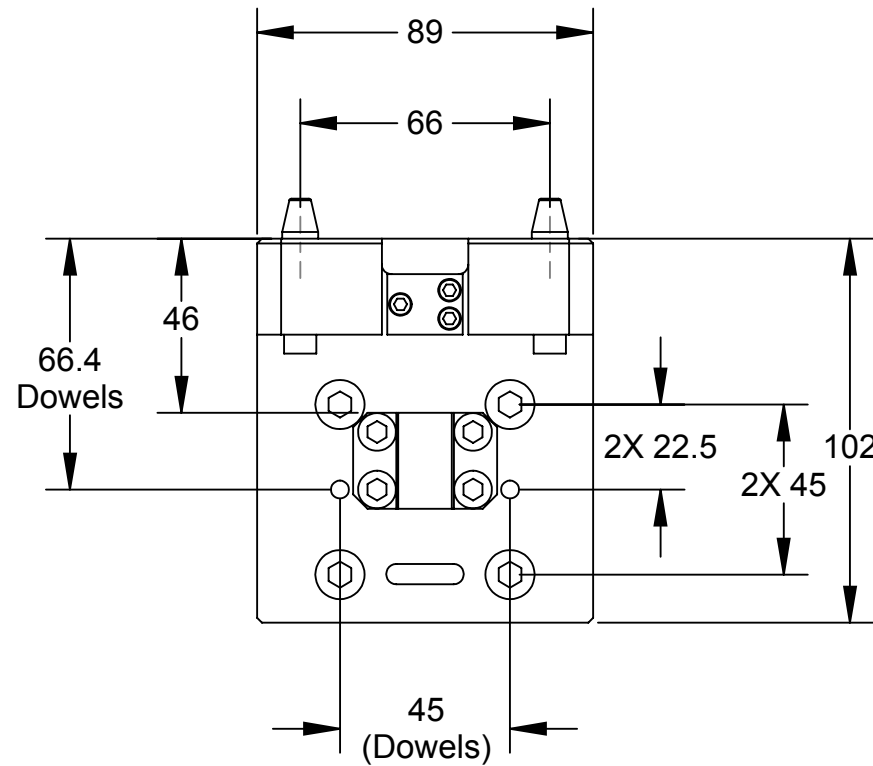


Rev.	Description	Initiator	Date
01	Initial Drawing	JDB	09/13/2013
02	ECO 12417: Added 'Serviceable Items' Table	DBoh	7/24/2014



Serviceable Items			
ITEM NO.	QTY.	PART NUMBER	DESCRIPTION
1	2	3700-20-7124	3/8" Dia. Alignment Pin
2	1	3700-20-7129	TSS Mounting Module Support Block



Notes:

- Customer to install fasteners and torque to listed value.
- Loose dowels included. Customer to press into plate if needed.

ITEM NO.	QTY.	PART NUMBER	DESCRIPTION
1	1	9120-TSS-MMB-7130	TSS and Manual Coupler Mounting Module

NOTES: UNLESS OTHERWISE SPECIFIED.  DO NOT SCALE DRAWING. ALL DIMENSIONS ARE IN MILLIMETERS.			1031 Goodworth Drive, Apex, NC 27539, USA Tel: +1.919.772.0115 Email: info@ati-ia.com Fax: +1.919.772.8259 www.ati-ia.com ISO 9001 Registered Company	
	DRAWN BY: D.Brewer, 9/20/13 CHECKED BY: J. Winterroth, 11/14/13		<b>TSS and Manual Coupler Mounting Module</b>	
		SCALE: 1:5 SIZE: B	DRAWING NUMBER: 9630-20-TSS-MMB-7130	REVISION: 02