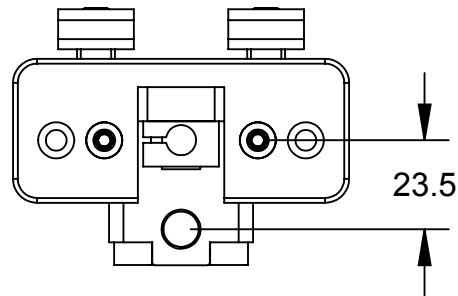
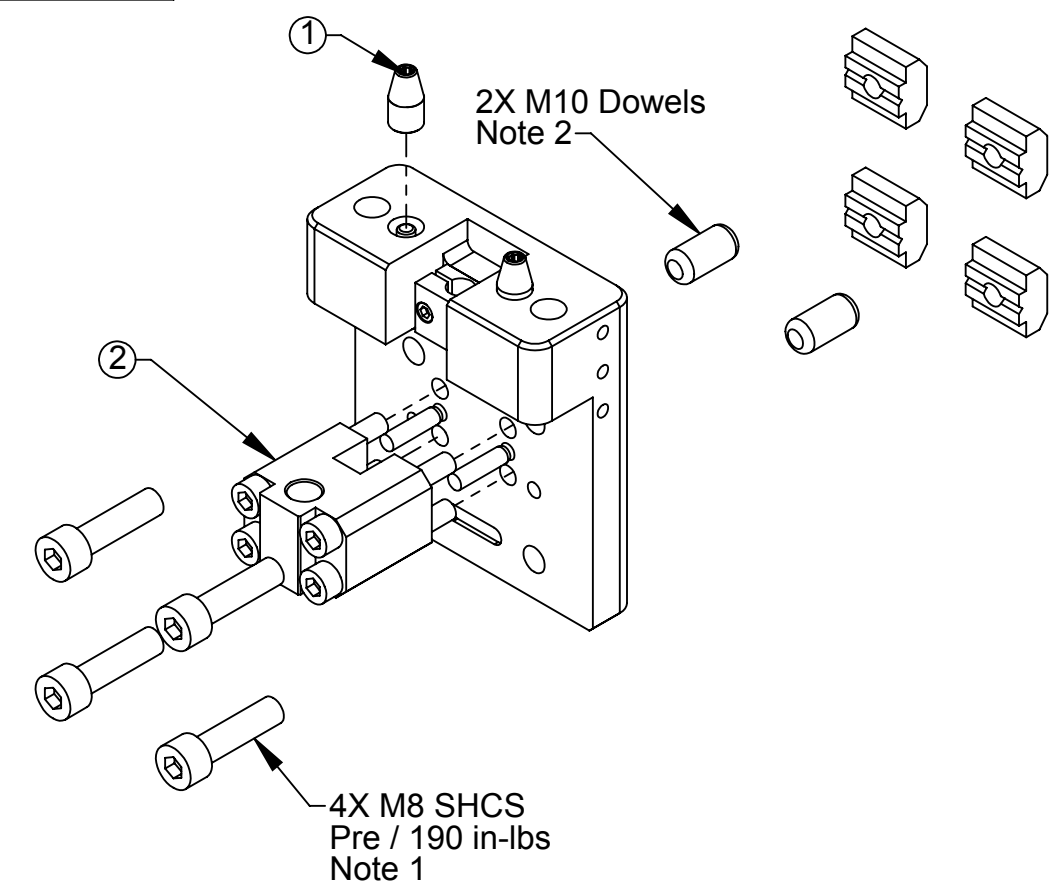
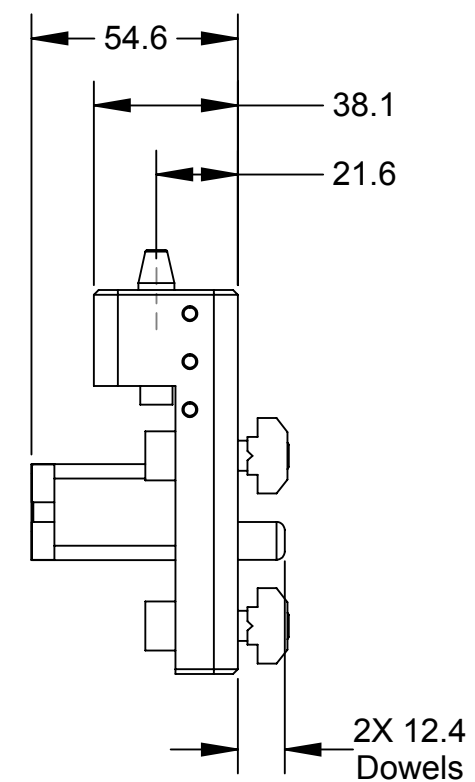
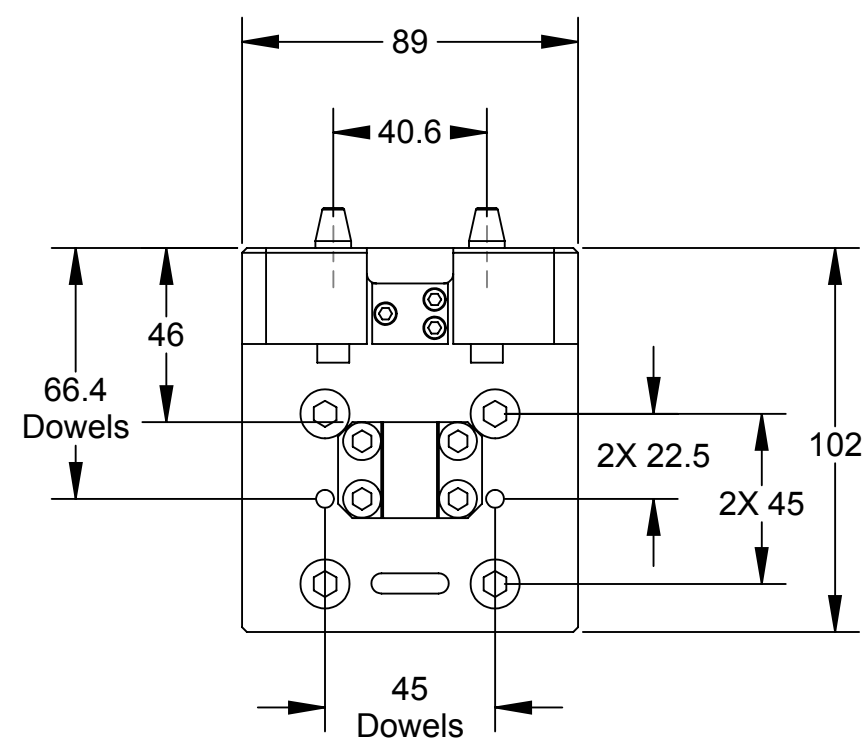


Rev.	Description	Initiator	Date
01	Initial Drawing	JDB	09/13/2013
02	ECO 12417: Added 'Serviceable Items' Table	DBoh	7/24/2014



Serviceable Items			
ITEM NO.	QTY.	PART NUMBER	DESCRIPTION
1	2	3700-20-7124	3/8" Dia. Alignment Pin
2	1	3700-20-7129	TSS Mounting Module Support Block



ITEM NO.	QTY.	PART NUMBER	DESCRIPTION
1	1	9120-TSS-MMB-7124	TSS Mounting Module

NOTES: UNLESS OTHERWISE SPECIFIED.  
DO NOT SCALE DRAWING. ALL DIMENSIONS ARE IN MILLIMETERS.

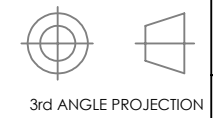


1031 Goodworth Drive, Apex, NC 27539, USA  
Tel: +1.919.772.0115 Email: info@ati-ia.com  
Fax: +1.919.772.8259 www.ati-ia.com  
ISO 9001 Registered Company

PROPERTY OF ATI INDUSTRIAL AUTOMATION, INC. NOT TO BE REPRODUCED IN ANY MANNER EXCEPT ON ORDER OR WITH PRIOR WRITTEN AUTHORIZATION OF ATI.

Notes:

- Customer to install fasteners and torque to listed value.
- Loose dowels included. Customer to press into plate if needed.



DRAWN BY: D.Brewer, 9/20/13		TITLE	
CHECKED BY: J. Winterroth, 11/14/13		TSS Mounting Module	
PROJECT #	SHEET 1 OF 1	SCALE	SIZE
		1:2	B
		DRAWING NUMBER	REVISION
		9630-20-TSS-MMB-7124	02