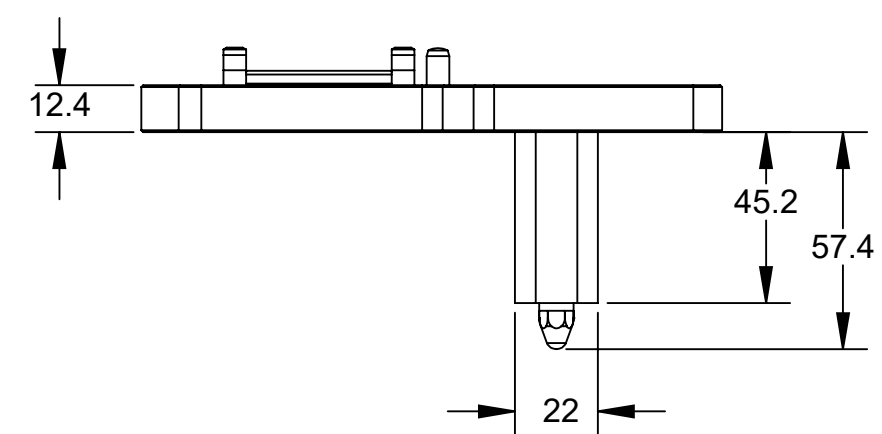
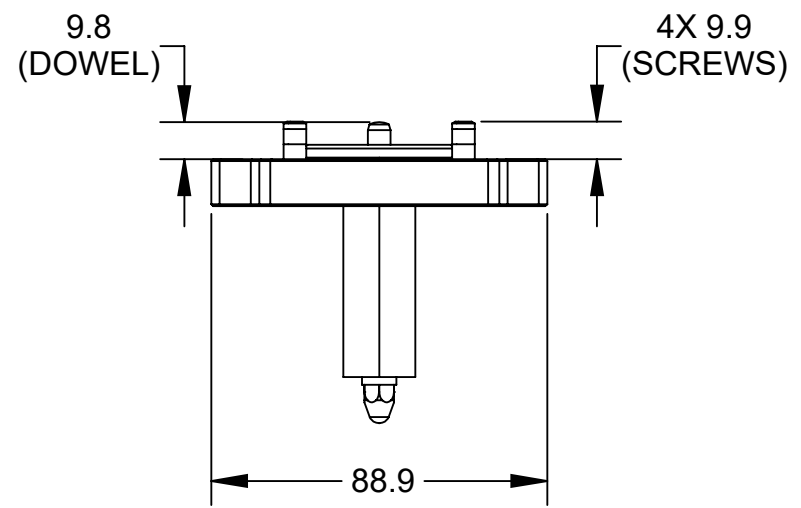
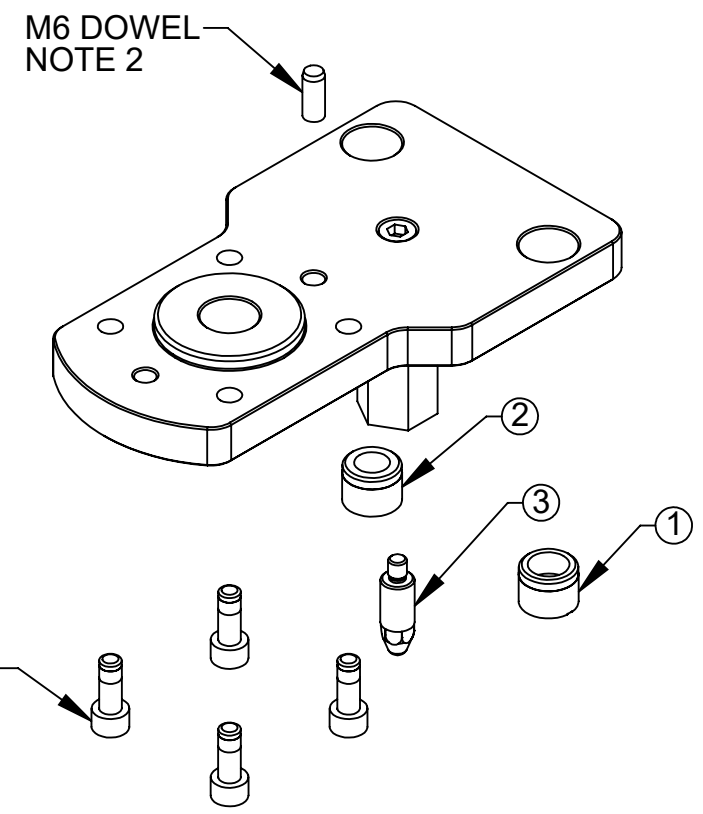
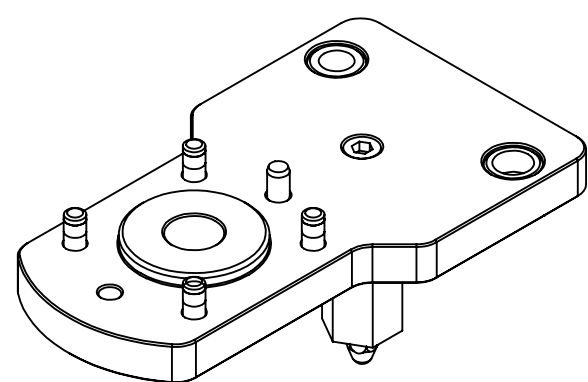
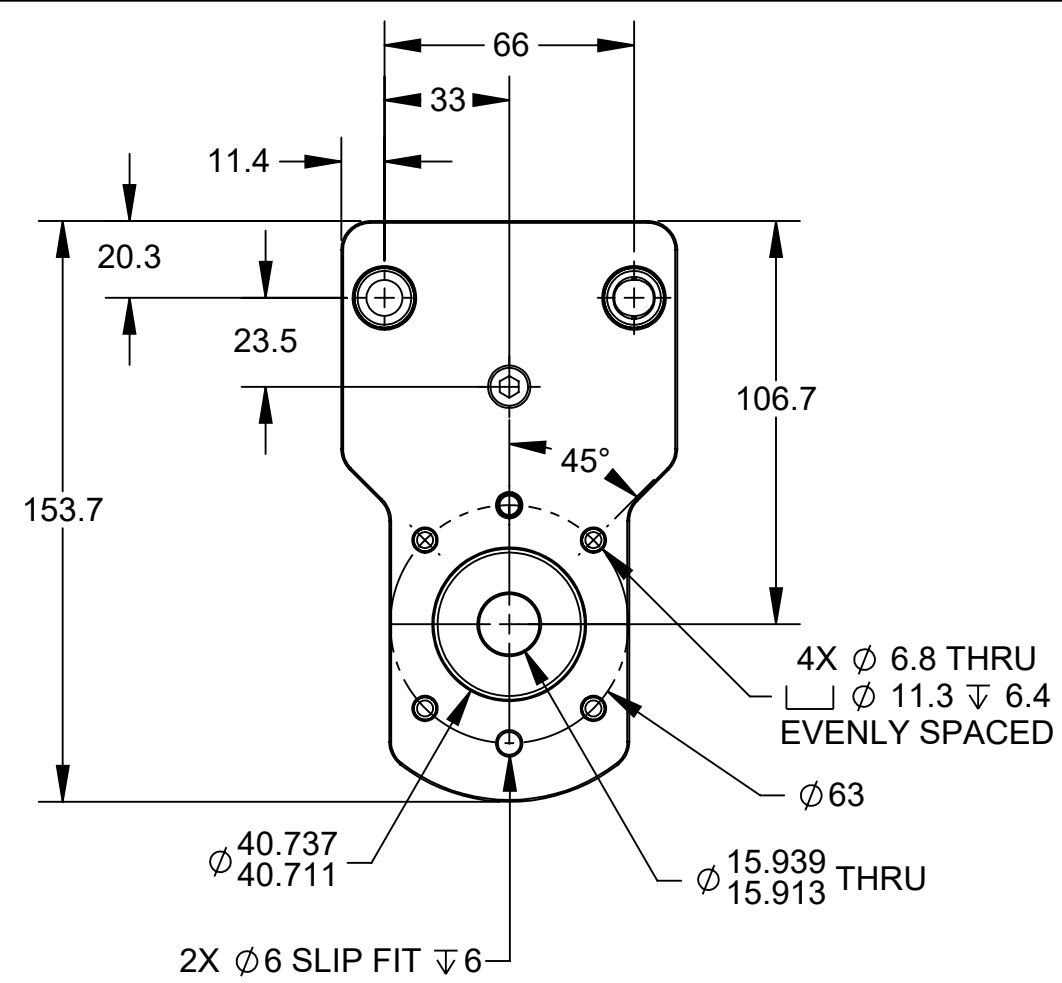


Rev.	Description	Initiator	Date
05	ECO 21128; ADDED HIGHLIGHTED DIMENSIONS PER MARKUP. CHANGED ALL TEXT TO CAPS	DS	10/27/2022



4X M6 SHCS  
PRE / 89 IN-LB  
NOTE 1

SERVICEABLE ITEMS			
ITEM NO.	QTY	PART NUMBER	DESCRIPTION
1	1	3700-20-5200	ELONGATED DRILL BUSHING 3/8" DIA, 5/8 OD, 1/2" LONG
2	1	3700-20-5230	DRILL BUSHING 3/8ID X 5/8OD X 1/2 L
3	1	3700-20-9006	TSS ALIGNMENT PIN

NOTES:  
1. CUSTOMER TO INSTALL PRE-APPLIED FASTENERS AND TORQUE TO LISTED VALUE.  
2. CUSTOMER TO INSTALL DOWEL PIN INTO QC-21E TOOL BODY.

ITEM NO.	QTY	PART NUMBER	DESCRIPTION
1	1	9120-TSS-HBQ-9483	TOOLING INTERFACE PLATE FOR QC-20/21/22 - BLANK

NOTES: UNLESS OTHERWISE SPECIFIED.  
DO NOT SCALE DRAWING. ALL DIMENSIONS ARE IN MILLIMETERS.

**ATI INDUSTRIAL  
AUTOMATION**

1031 Goodworth Drive, Apex, NC 27539, USA  
Tel: +1.919.772.0115 www.ati-ia.com  
Fax: +1.919.772.8259 ISO 9001 Registered Company

PROPERTY OF ATI INDUSTRIAL AUTOMATION, INC. NOT TO BE REPRODUCED IN ANY MANNER EXCEPT ON ORDER OR WITH PRIOR WRITTEN AUTHORIZATION OF ATI.

DRAWN BY: L. STRAHLER 8/27/15		TITLE	
CHECKED BY: J. WINTERROTH 9/4/15		TSS TOOLING INTERFACE PLATE FOR QC-20/21/22 - BLANK	
SCALE	SIZE	DRAWING NUMBER	REVISION
1:2	B	9630-20-TSS-HBQ-9483	05

3rd ANGLE PROJECTION

PROJECT # 150821-1 SHEET 1 OF 1