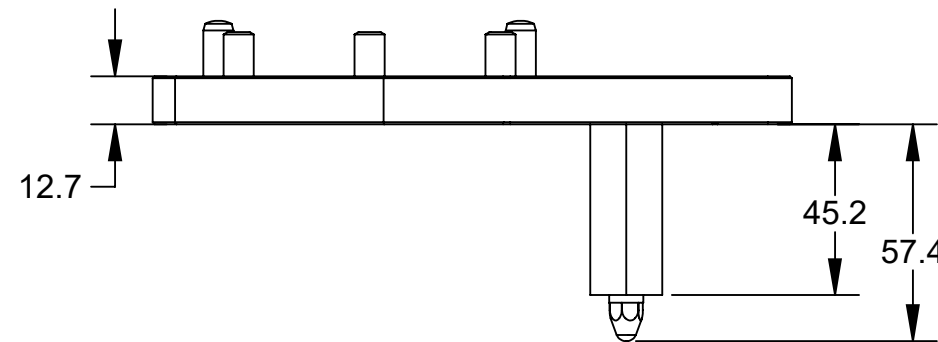
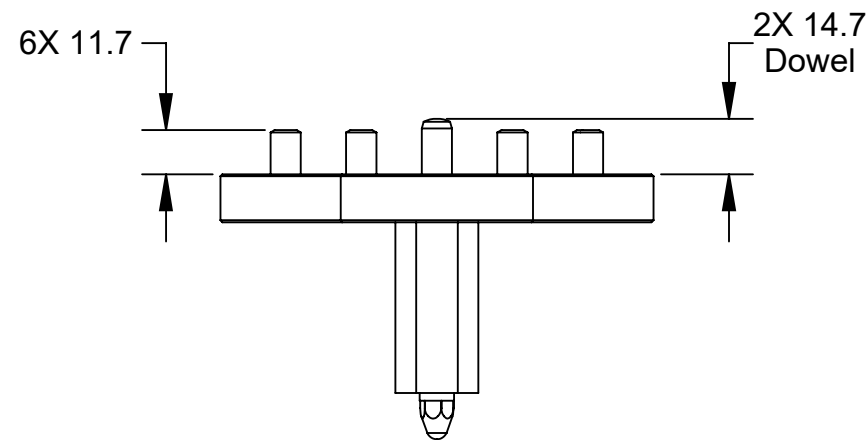
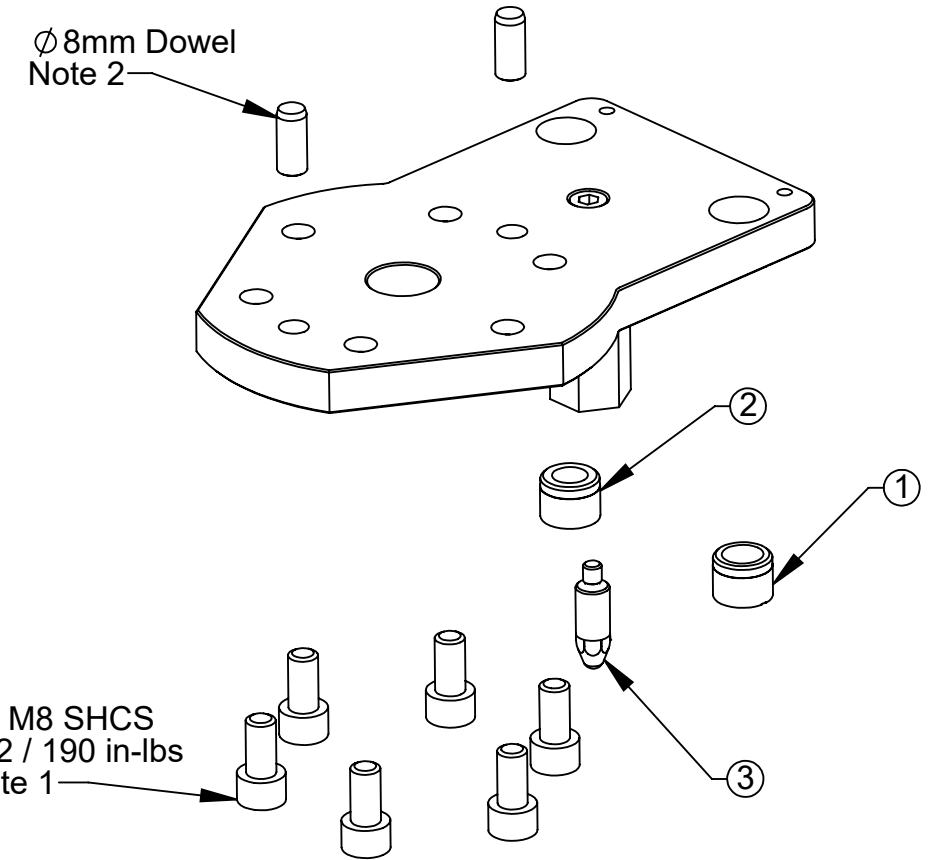
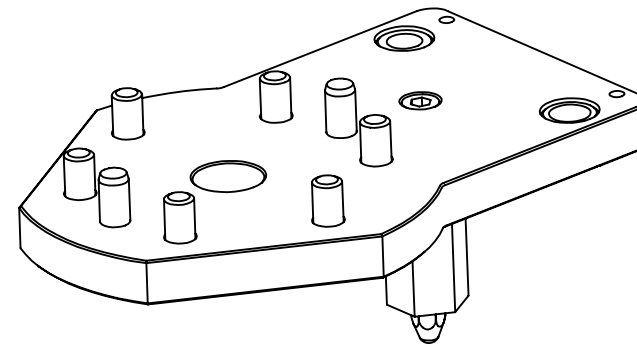
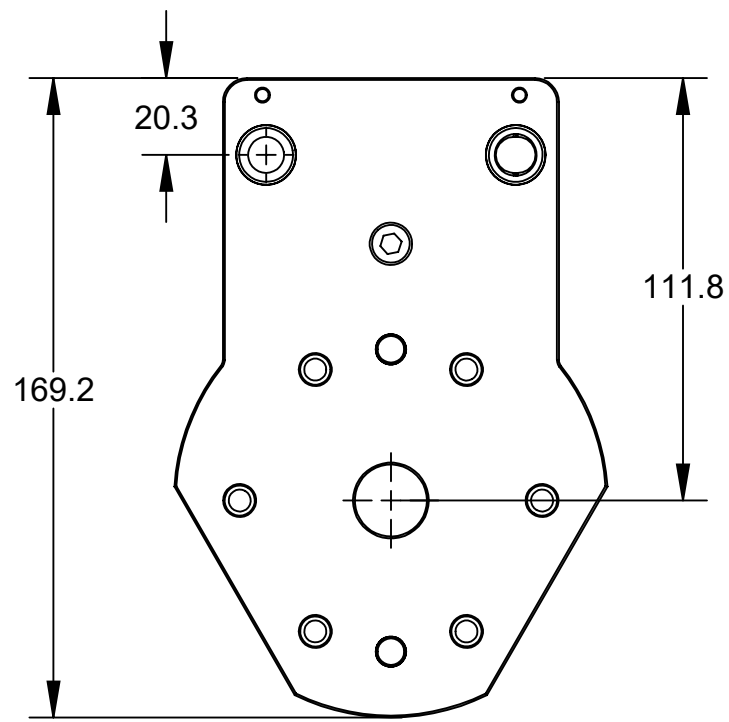


Rev.	Description	Initiator	Date
02	ECO 20593: Updating to reflect added holes in tooling plate. Updated lengths of mating pin assy (57.4 was 56.1 and 45.2 was 46)	REH/SZJ	1/14/2022



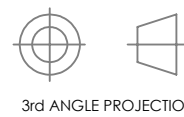
Servicable Items			
ITEM NO.	QTY	PART NUMBER	DESCRIPTION
1	1	3700-20-5200	Elongated Drill Bushing 3/8" dia, 5/8 OD, 1/2" long
2	1	3700-20-5230	Drill Bushing 3/8ID x 5/8OD x 1/2 L
3	1	3700-20-9006	TSS Alignment Pin

ITEM NO.	QTY	PART NUMBER	DESCRIPTION
1	1	9120-TSS-HBQ-9400	TSS Tooling Interface Plate for QC-40 - Blank

- Notes:
- Customer to install fasteners with suggested Loctite or similar threadlocker and torque to recommended torque value.
 - Customer to install dowel pins into QC-40 Tool Body.

NOTES: UNLESS OTHERWISE SPECIFIED.

DO NOT SCALE DRAWING. ALL DIMENSIONS ARE IN MILLIMETERS.



3rd ANGLE PROJECTION



1031 Goodworth Drive, Apex, NC 27539, USA
 Tel: +1.919.772.0115 www.ati-ia.com
 Fax: +1.919.772.8259 ISO 9001 Registered Company

PROPERTY OF ATI INDUSTRIAL AUTOMATION, INC. NOT TO BE REPRODUCED IN ANY MANNER EXCEPT ON ORDER OR WITH PRIOR WRITTEN AUTHORIZATION OF ATI.

DRAWN BY: L. Strahler 1/7/2016		TITLE	
CHECKED BY: J. Winterroth 1/7/2016		TSS Tooling Interface Plate for QC-40 - Blank	
SCALE	SIZE	DRAWING NUMBER	REVISION
1:2	B	9630-20-TSS-HBQ-9400	02
PROJECT # 150615-2 SHEET 1 OF 1			