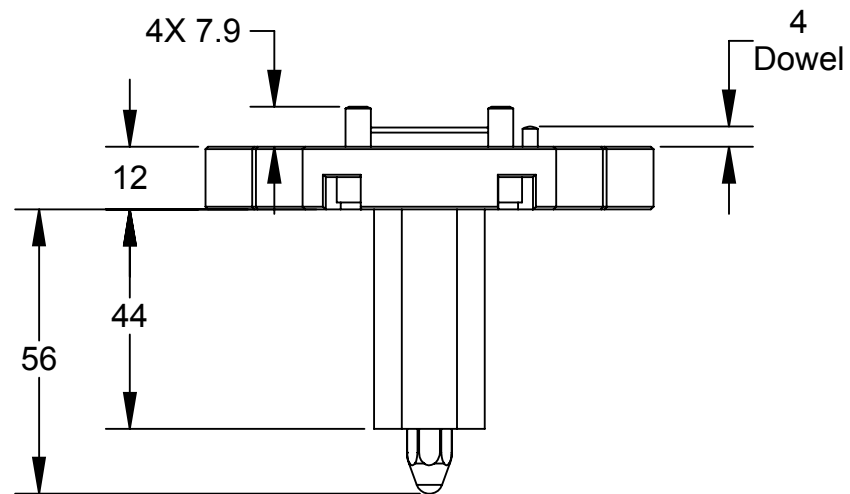
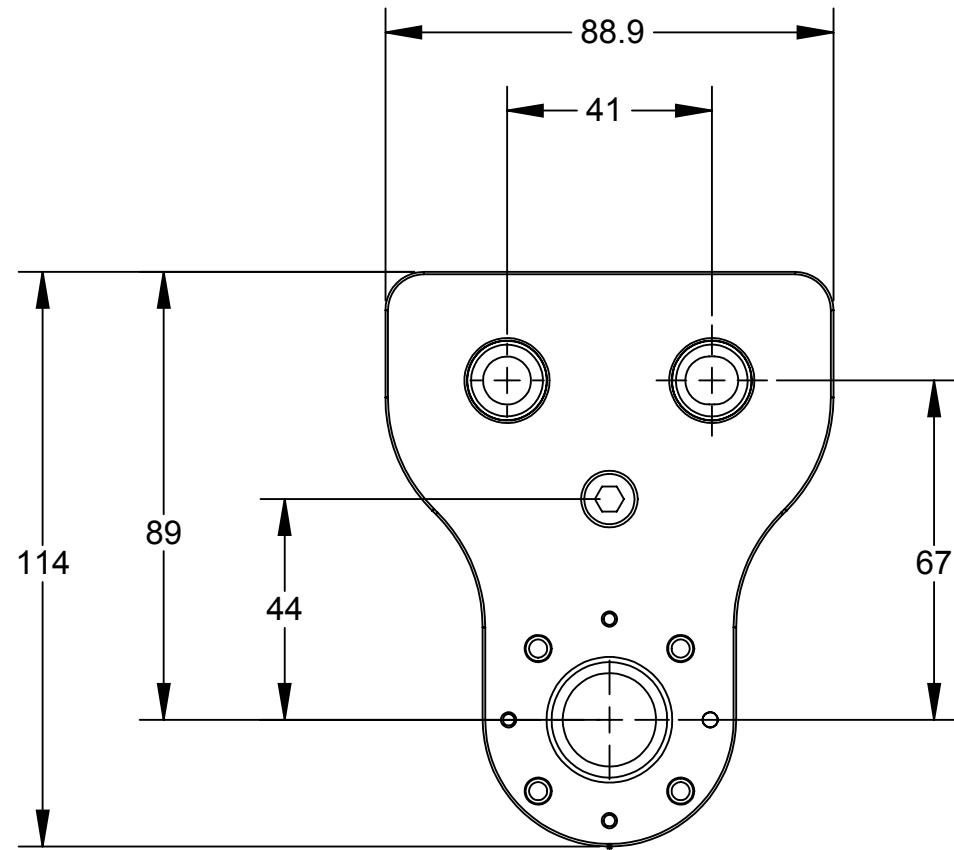
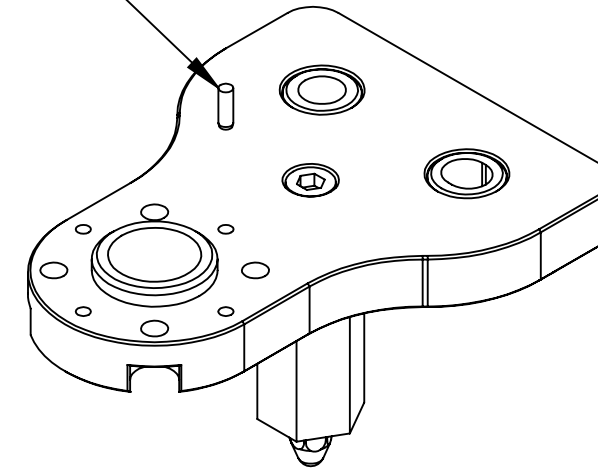


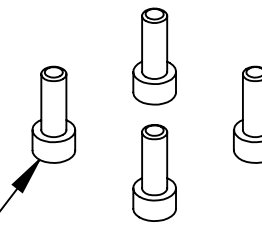
Rev.	Description	Initiator	Date
01	Release ECO 10601: No Changes	JDB	10/31/2013



Ø 3mm Dowel, SF  
Note 2

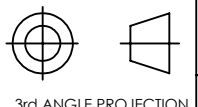


4X M5 SHCS  
242 / 52 in-lbs  
Note 1



Notes:

1. Fasteners shipped loose. Customer to use Loctite or similar thread locker and torque to listed value.
2. Dowel shipped loose. Customer to press dowel into ATI Tool Changer.

ITEM NO.	QTY.	PART NUMBER	DESCRIPTION
1	1	9120-TSS-HBQ-7123	TSS Tooling Interface Plate for QC-5,11 - Blank
NOTES: UNLESS OTHERWISE SPECIFIED.		<p>1031 Goodworth Drive, Apex, NC 27539, USA            Tel: +1.919.772.0115 Email: info@ati-ia.com            Fax: +1.919.772.8259 www.ati-ia.com            ISO 9001 Registered Company</p> <p>PROPERTY OF ATI INDUSTRIAL AUTOMATION, INC. NOT TO BE REPRODUCED IN ANY MANNER EXCEPT ON ORDER OR WITH PRIOR WRITTEN AUTHORIZATION OF ATI.</p>	
DO NOT SCALE DRAWING. ALL DIMENSIONS ARE IN MILLIMETERS.			
 <p>3rd ANGLE PROJECTION</p>		<p>AT INDUSTRIAL AUTOMATION</p>	
		<p>DRAWN BY: D.Brewer, 10/30/13</p> <p>CHECKED BY: J. Winterroth, 11/18/13</p>	
PROJECT # -		SHEET 1 OF 1	
SCALE		TITLE	
2:3		TSS Tooling Interface Plate for QC-5, 11	
SIZE		DRAWING NUMBER	
B		9630-20-TSS-HBQ-7123	
		REVISION	
		01	