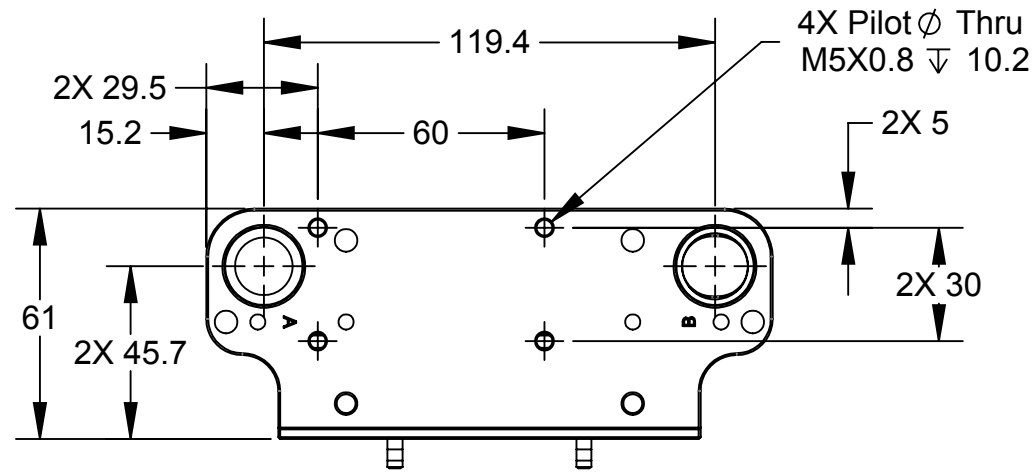
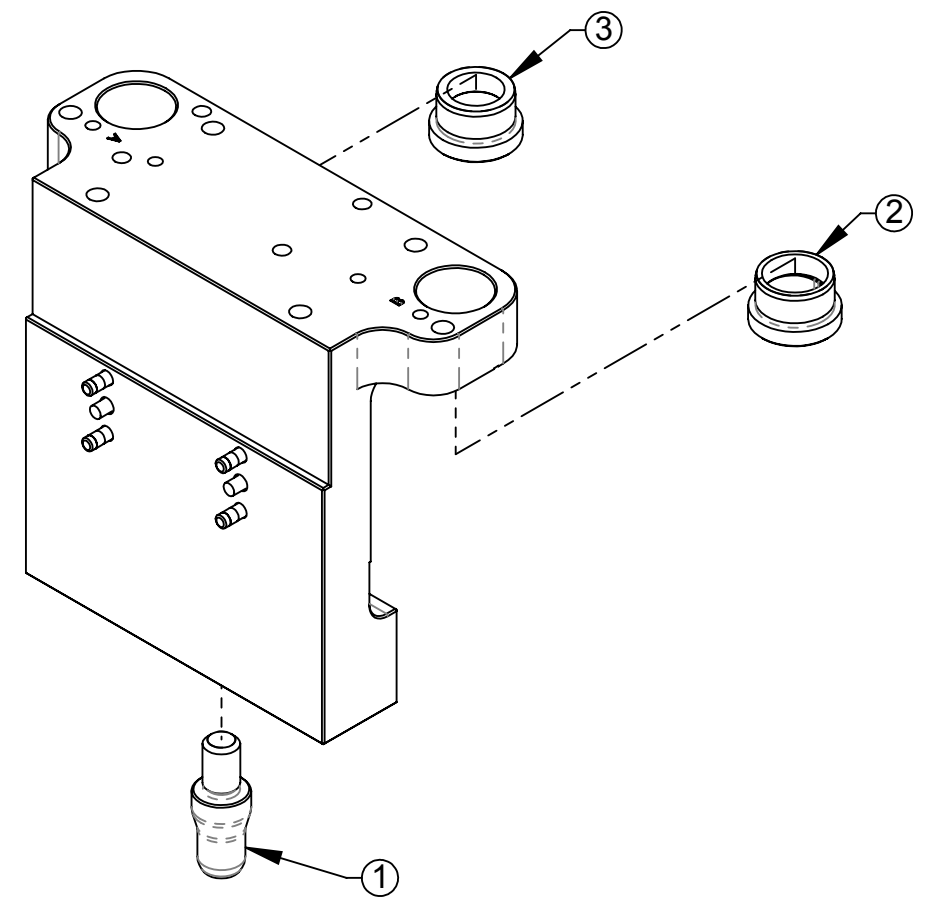
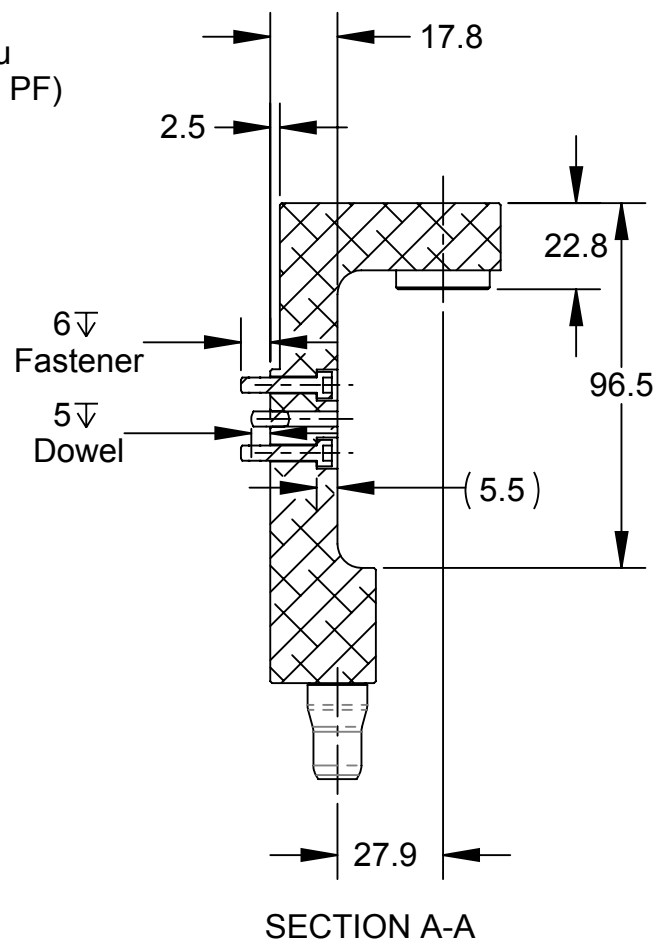
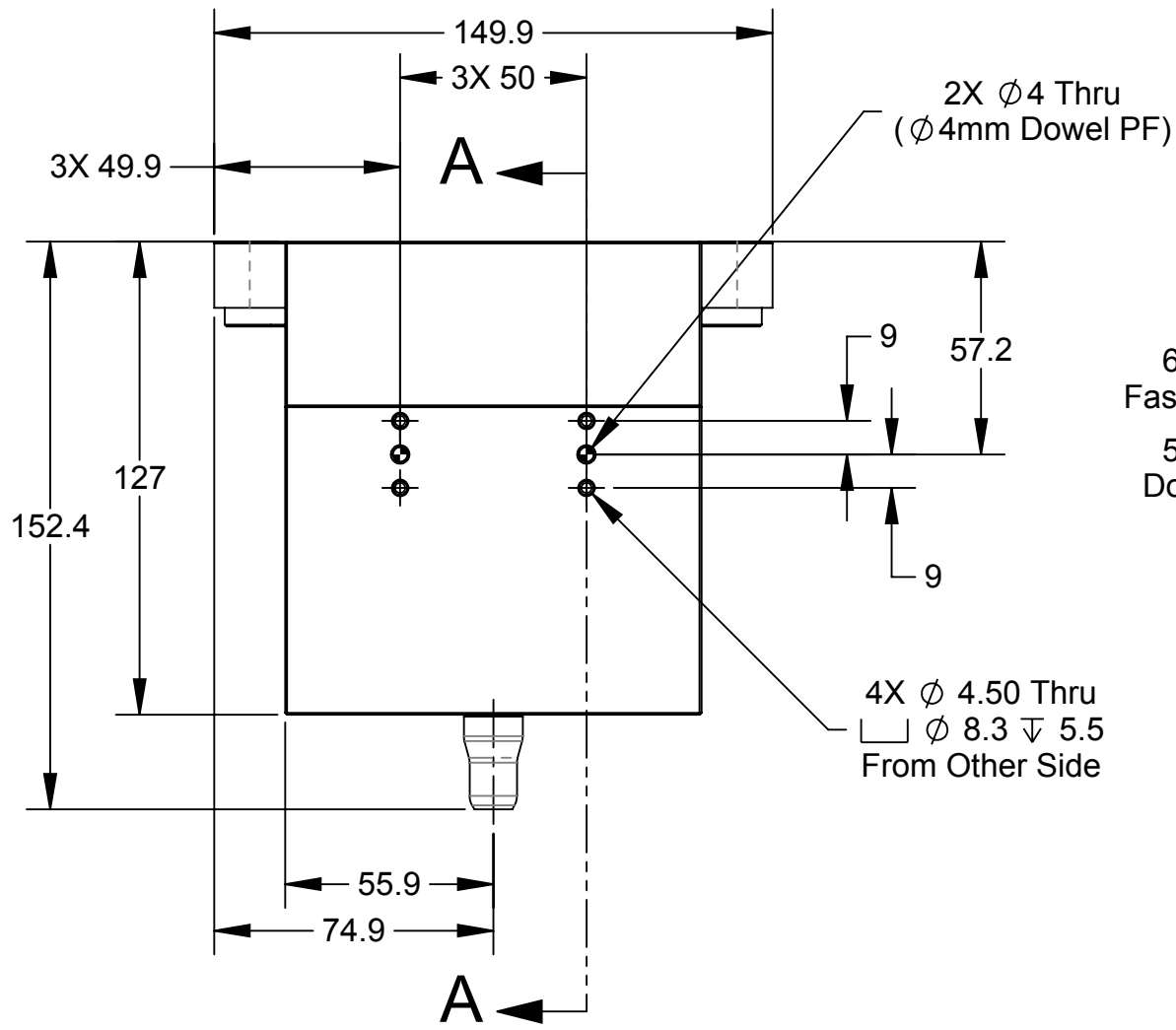


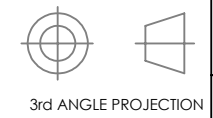
Rev.	Description	Initiator	Date
03	ECO 16373: Updated customer drawing to reflect addition of TSM-MA03 mounting pattern to TSM interface plate.	TBC	1/12/2018



Serviceable Items			
ITEM NO.	QTY.	PART NUMBER	DESCRIPTION
1	1	3700-20-8434	TSM Pin & Bushing, Alignment Pin, Dual Tapper
2	1	3700-20-8436	Drill Bushing, Flanged, Elongated, 16mm ID
3	1	3700-20-8435	Drill Bushing, Flanged, 16mm ID



NOTES: UNLESS OTHERWISE SPECIFIED.  
DO NOT SCALE DRAWING. ALL DIMENSIONS ARE IN MILLIMETERS.



ITEM NO.	QTY.	PART NUMBER	DESCRIPTION
1	1	9120-TSM-VBQ-8442	TSM Tooling Interface Plate - J16 Pattern

**ATI INDUSTRIAL AUTOMATION**

1031 Goodworth Drive, Apex, NC 27539, USA  
 Tel: +1.919.772.0115 Email: info@ati-ia.com  
 Fax: +1.919.772.8259 www.ati-ia.com  
 ISO 9001 Registered Company

PROPERTY OF ATI INDUSTRIAL AUTOMATION, INC. NOT TO BE REPRODUCED IN ANY MANNER EXCEPT ON ORDER OR WITH PRIOR WRITTEN AUTHORIZATION OF ATI.

DRAWN BY: J. Winterroth, 9/23/13  
 CHECKED BY: D. Norton, 10/23/13

PROJECT # 130510-5 SHEET 1 OF 1

TITLE: TSM Tooling Interface Plate - J16 Pattern

SCALE	SIZE	DRAWING NUMBER	REVISION
1:2	B	9630-20-TSM-VBQ-8442	03