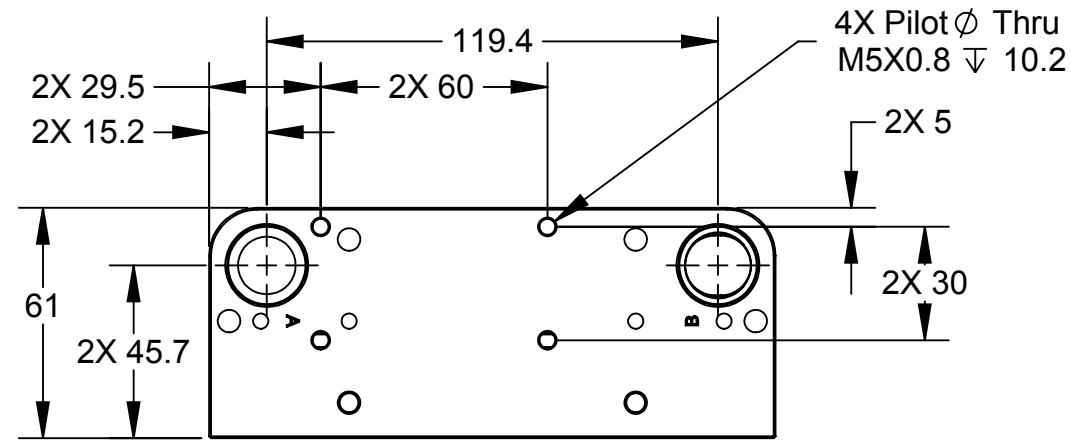
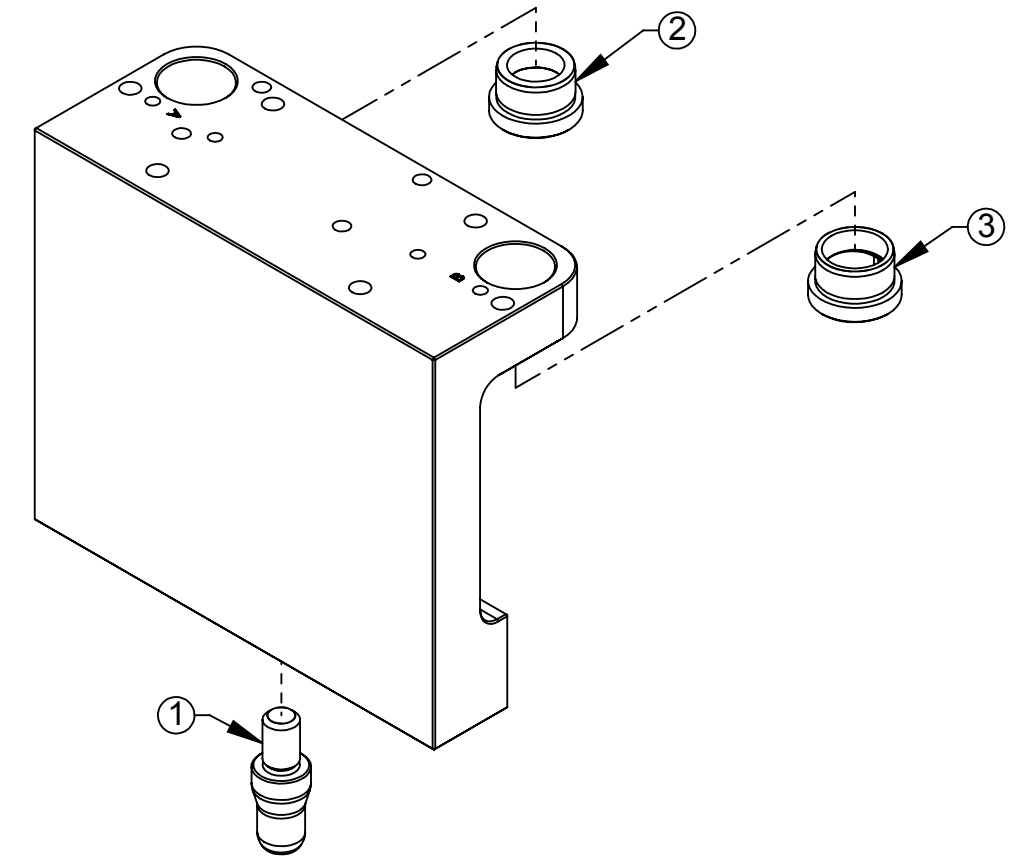
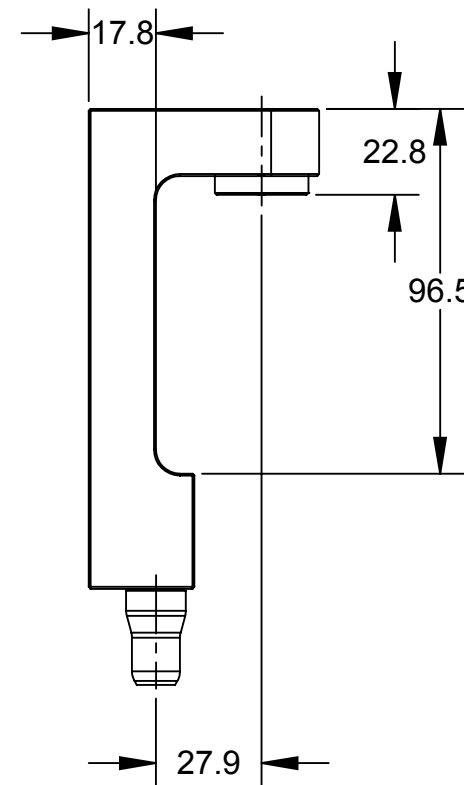
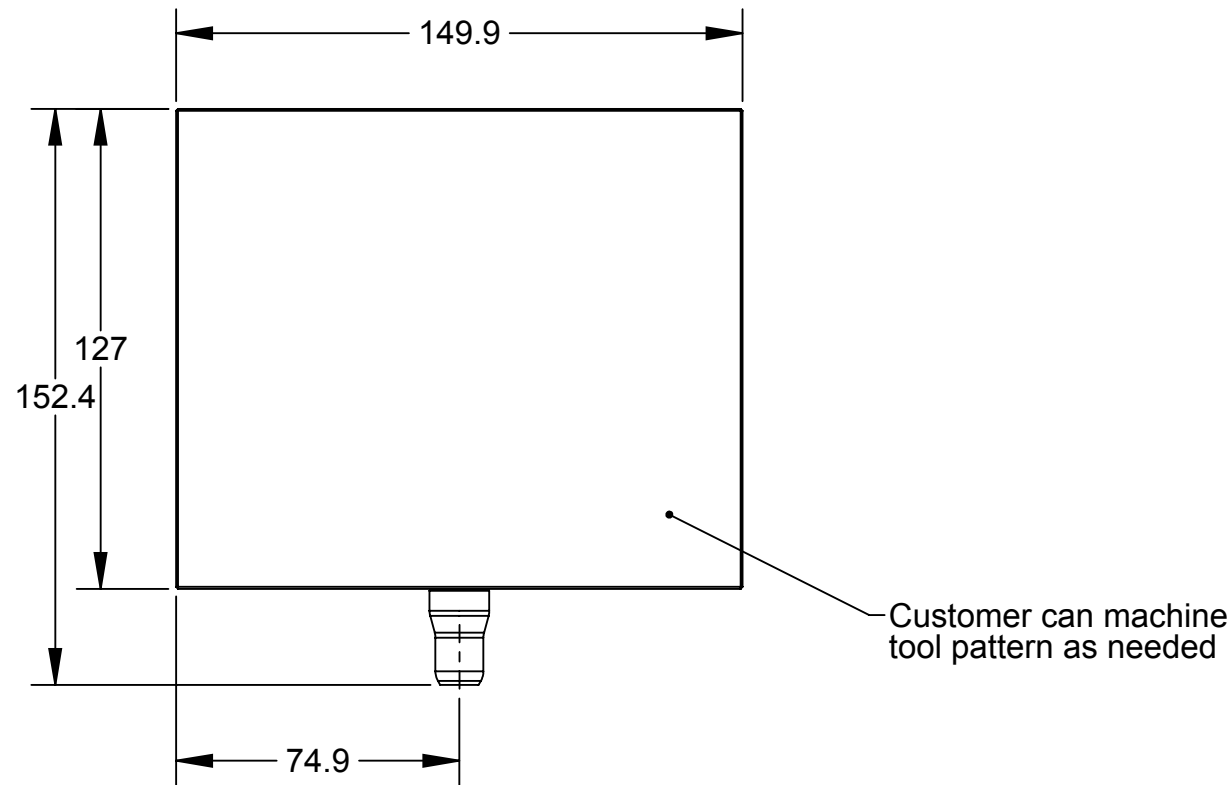


Rev.	Description	Initiator	Date
02	ECO 16373: Updated customer drawing to reflect addition of TSM-MA03 mounting pattern to TSM interface plate.	TBC	1/12/2018



Serviceable Items			
ITEM NO.	QTY.	PART NUMBER	DESCRIPTION
1	1	3700-20-8434	TSM Pin & Bushing, Alignment Pin, Dual Taper
2	1	3700-20-8435	Drill Bushing, Flanged, 16mm ID
3	1	3700-20-8436	Drill Bushing, Flanged, Elongated, 16mm ID



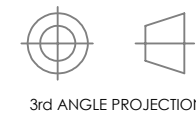
ITEM NO.	QTY.	PART NUMBER	DESCRIPTION
1	1	9120-TSM-VBB-8441	TSM Tooling Interface Plate - Blank

NOTES: UNLESS OTHERWISE SPECIFIED.
DO NOT SCALE DRAWING. ALL DIMENSIONS ARE IN MILLIMETERS.



1031 Goodworth Drive, Apex, NC 27539, USA
Tel: +1.919.772.0115 Email: info@ati-ia.com
Fax: +1.919.772.8259 www.ati-ia.com
ISO 9001 Registered Company

PROPERTY OF ATI INDUSTRIAL AUTOMATION, INC. NOT TO BE REPRODUCED IN ANY MANNER EXCEPT ON ORDER OR WITH PRIOR WRITTEN AUTHORIZATION OF ATI.



DRAWN BY: J. Winterroth, 9/23/13		TITLE	
CHECKED BY: D. Norton, 10/23/13		TSM Tooling Interface Plate - Blank	
PROJECT #	130510-5	SHEET	1 OF 1
SCALE	1:2	SIZE	B
DRAWING NUMBER	9630-20-TSM-VBB-8441		REVISION
			02