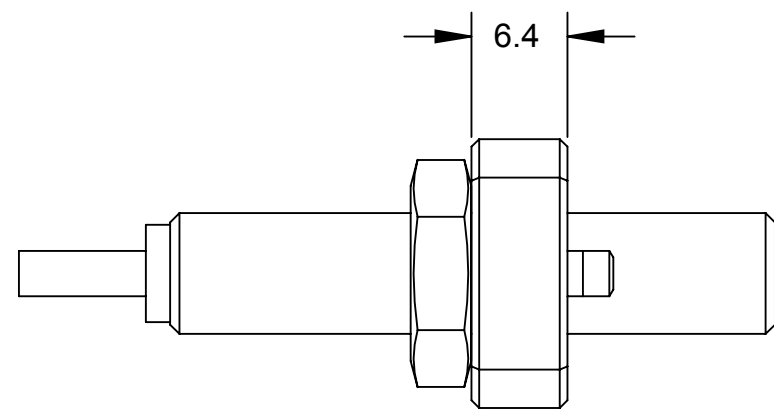
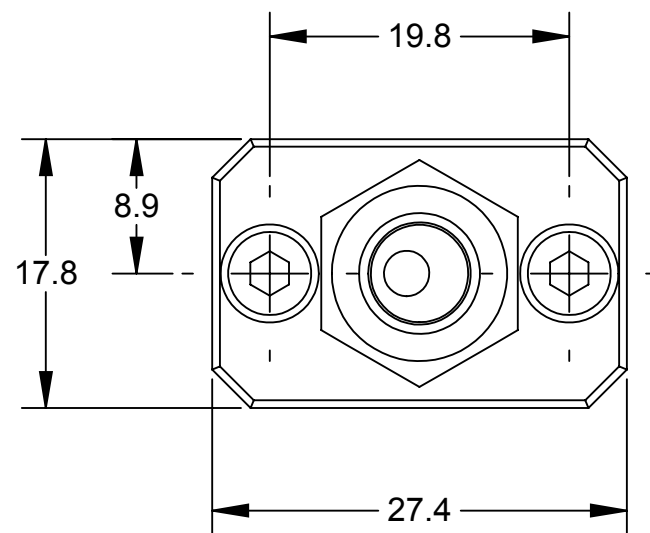
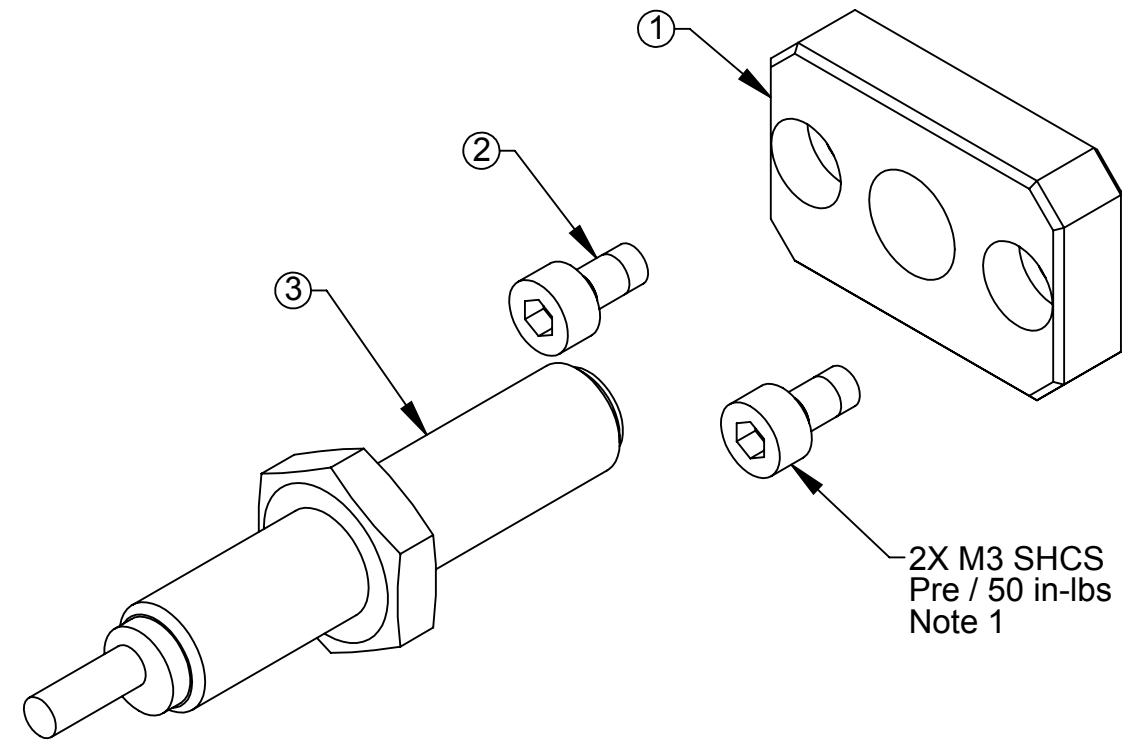
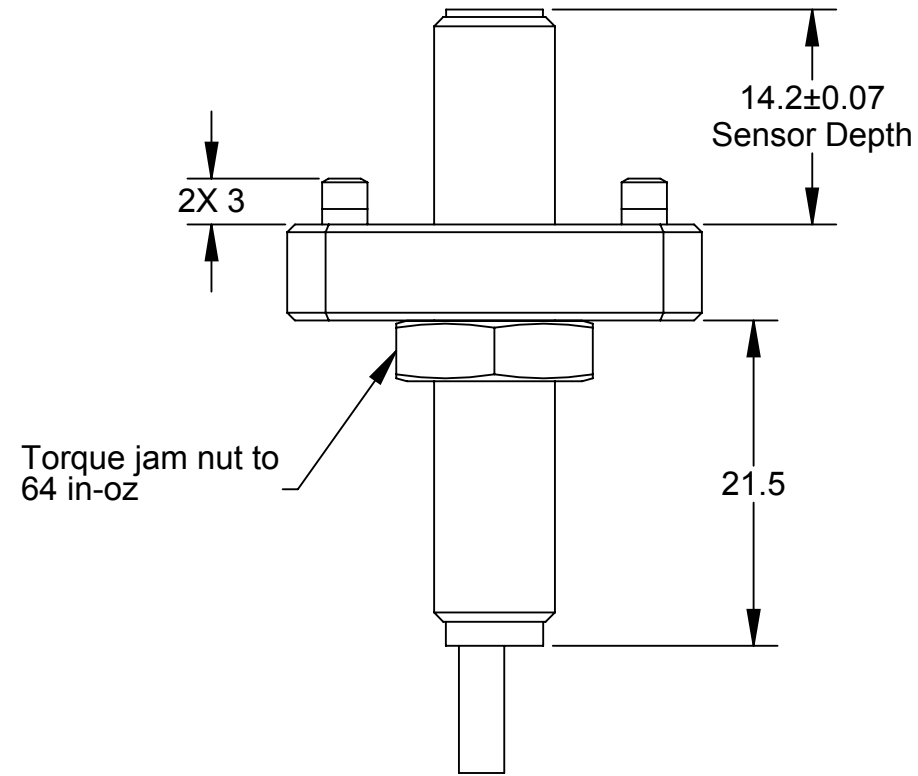


Rev.	Description	Initiator	Date
04	ECO 18291: Updated drawing to show sensor changes to 9120-TSM-SMA-8439.	TBC	9/12/2019



ITEM NO.	QTY.	PART NUMBER	DESCRIPTION
1	1	9120-TSM-SMA-8439	TSM Sensor Module, PNP, 8mm Barrel

Notes:

- 1. Fasteners shipped loose.

NOTES: UNLESS OTHERWISE SPECIFIED.

DO NOT SCALE DRAWING.  
ALL DIMENSIONS ARE IN  
MILLIMETERS.



3rd ANGLE PROJECTION



1031 Goodworth Drive, Apex, NC 27539, USA  
Tel: +1.919.772.0115 Email: info@ati-ia.com  
Fax: +1.919.772.8259 www.ati-ia.com  
ISO 9001 Registered Company

PROPERTY OF ATI INDUSTRIAL AUTOMATION, INC. NOT TO BE REPRODUCED IN ANY MANNER EXCEPT ON ORDER OR WITH PRIOR WRITTEN AUTHORIZATION OF ATI.

DRAWN BY: J. Winterroth, 2/18/15		TITLE	
CHECKED BY: D. Norton, 2/18/15		TSM Sensor Module, PNP, 8mm Barrel	
PROJECT #	130510-5	SHEET	1 OF 1
SCALE	2:1	SIZE	B
DRAWING NUMBER	9630-20-TSM-SMA-8439		REVISION
			04