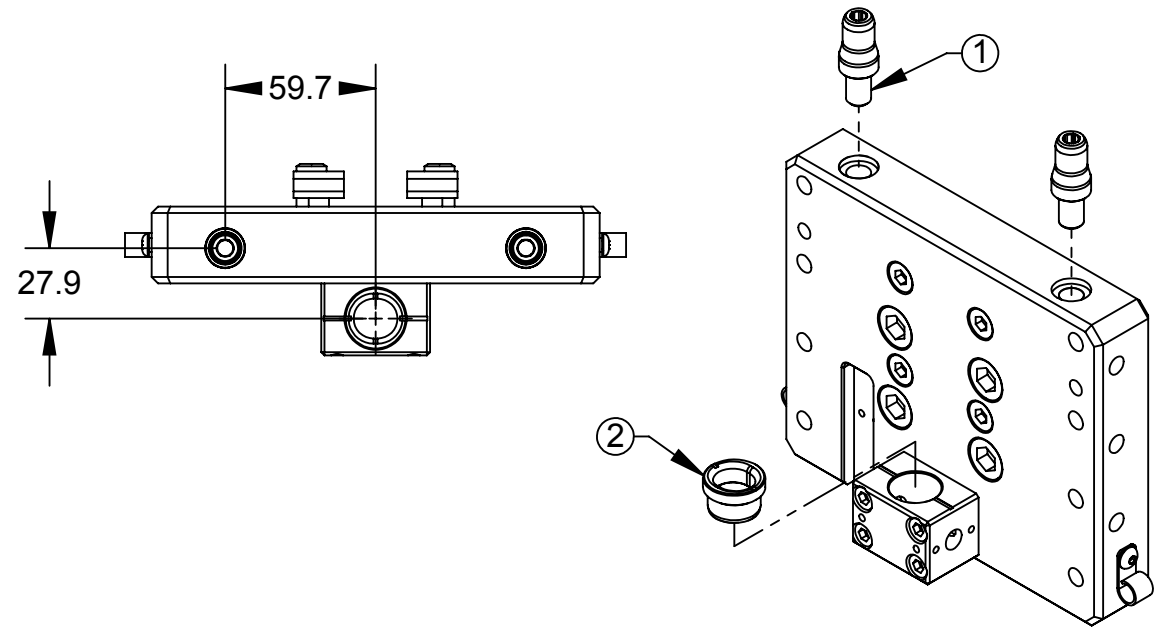
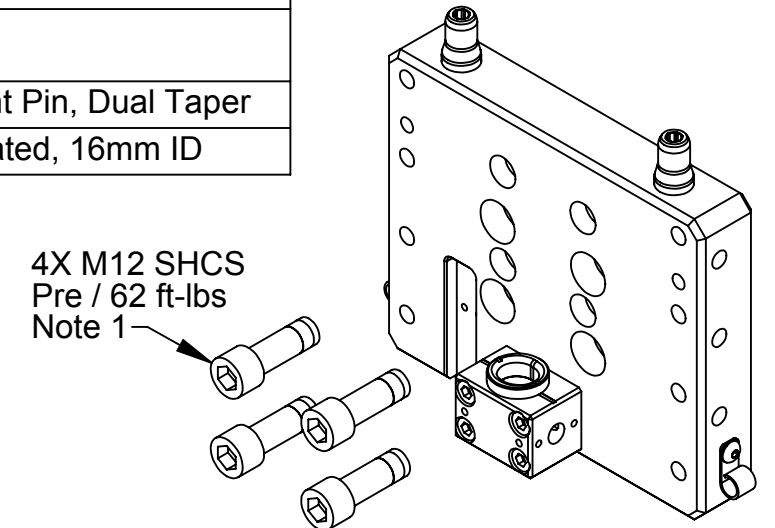
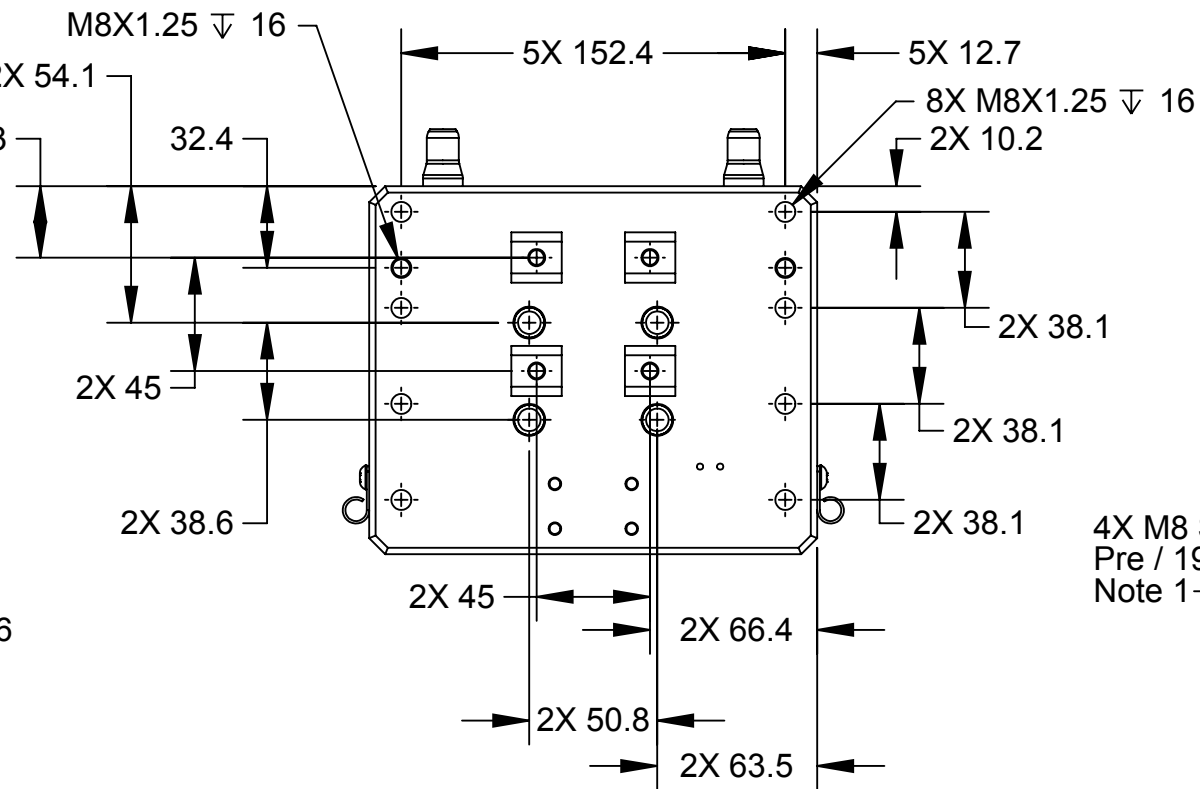
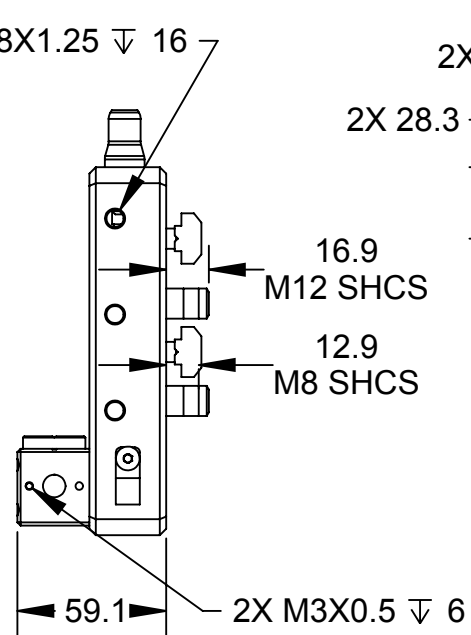
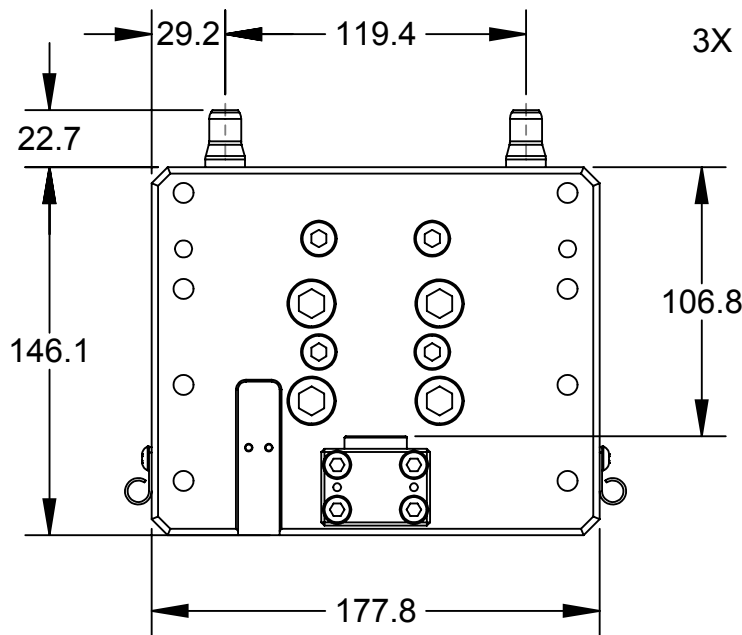


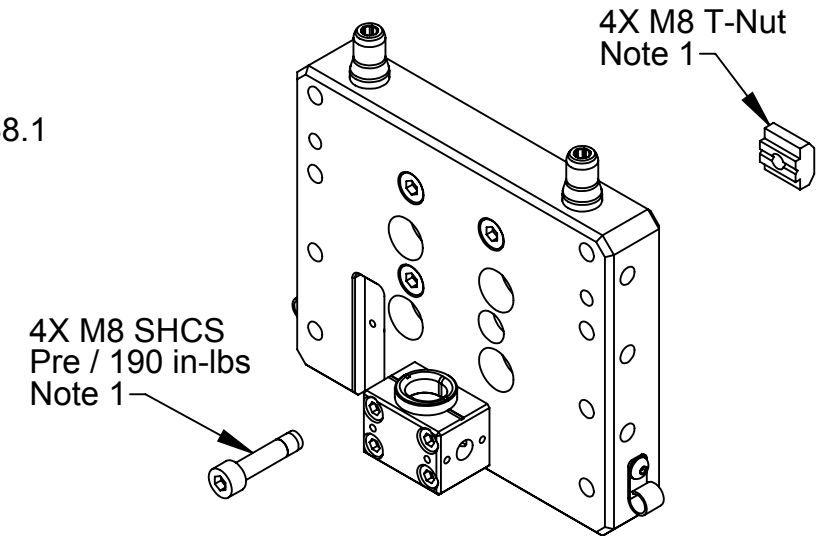
Rev.	Description	Initiator	Date
01	Initial Drawing	JMW	9/23/2013



Serviceable Items			
ITEM NO.	QTY.	PART NUMBER	DESCRIPTION
1	2	3700-20-8434	TSM Pin & Bushing, Alignment Pin, Dual Taper
2	1	3700-20-8436	Drill Bushing, Flanged, Elongated, 16mm ID



**Standard Mounting Hardware**



**Extruded Rail Mounting Hardware**

**Notes:**

- Fasteners shipped loose.
- Material - Pins & Bushing - A2 Tool Steel  
Plate - 6061-T6 Aluminum, soft coat black anodize

ITEM NO.	QTY.	PART NUMBER	DESCRIPTION
1	1	9120-TSM-MMB-8432	TSM Pin & Bushing Mounting Module - Rigid

NOTES: UNLESS OTHERWISE SPECIFIED.  DO NOT SCALE DRAWING. ALL DIMENSIONS ARE IN MILLIMETERS.			1031 Goodworth Drive, Apex, NC 27539, USA Tel: +1.919.772.0115 Email: info@ati-ia.com Fax: +1.919.772.8259 www.ati-ia.com ISO 9001 Registered Company	
	DRAWN BY: J. Winterroth, 9/23/13 CHECKED BY: D. Norton, 10/23/13		TITLE <b>TSM Pin &amp; Bushing Mounting Module - Rigid</b>	
		PROJECT # 130510-5 SHEET 1 OF 1	SCALE 1:3 SIZE B	DRAWING NUMBER <b>9630-20-TSM-MMB-8432</b>
			REVISION	<b>01</b>

PROPERTY OF ATI INDUSTRIAL AUTOMATION, INC. NOT TO BE REPRODUCED IN ANY MANNER EXCEPT ON ORDER OR WITH PRIOR WRITTEN AUTHORIZATION OF ATI.