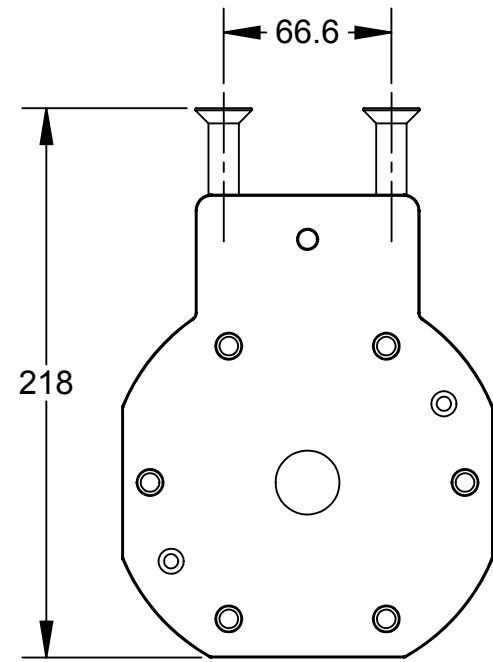
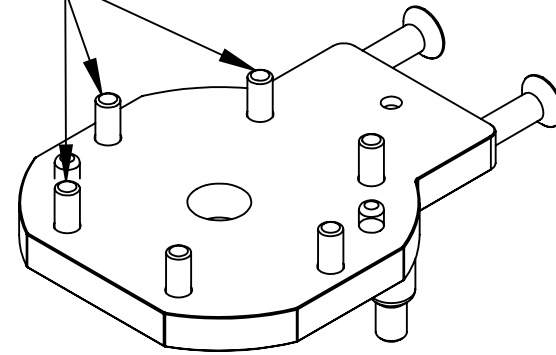


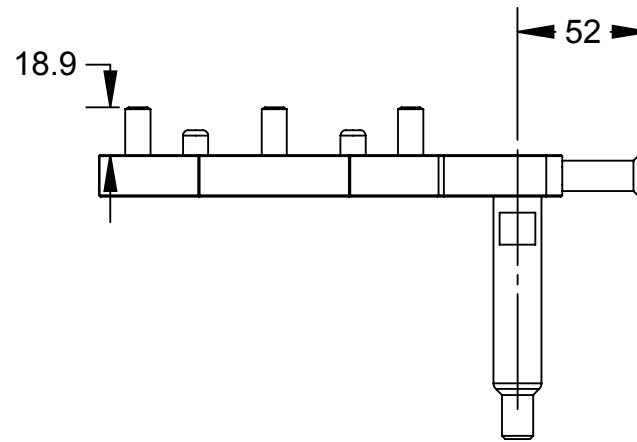
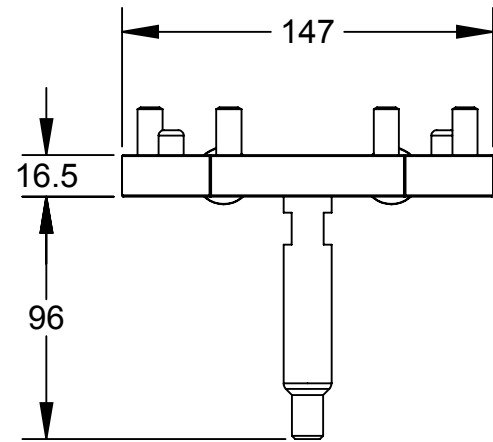
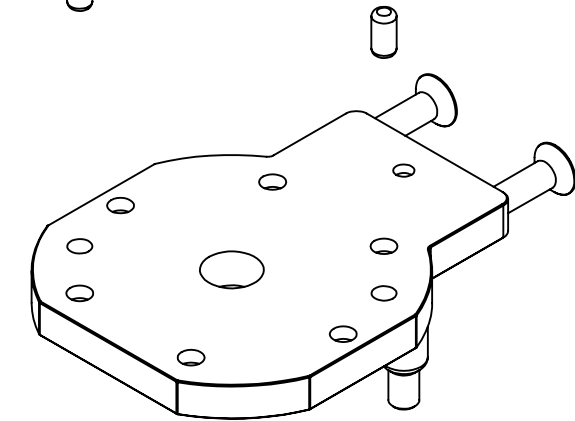
Rev.	Description	Initiator	Date
01	Initial Drawing	JMW	12/03/2013



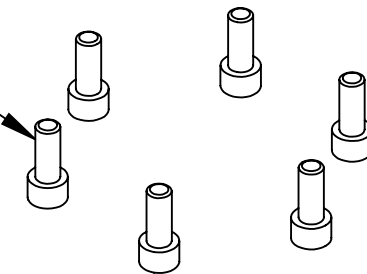
Interface for QC-76 Tool



2X ØM10 Dowel
Note 2

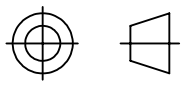


6X M10 SHCS
Pre / 220 in-lbs
Note 1



Notes:

- Customer to install pre-applied fasteners and torque to listed value.
- Customer to install dowel pins into QC-76 Tool Body.

ITEM NO.	QTY.	PART NUMBER	DESCRIPTION
1	1	9120-TSM-HVQ-6624	TSM Tooling Interface Plate for QC-76 - Blank
NOTES: UNLESS OTHERWISE SPECIFIED.		<p>1031 Goodworth Drive, Apex, NC 27539, USA Tel: +1.919.772.0115 Email: info@ati-ia.com Fax: +1.919.772.8259 www.ati-ia.com ISO 9001 Registered Company</p> <p>PROPERTY OF ATI INDUSTRIAL AUTOMATION, INC. NOT TO BE REPRODUCED IN ANY MANNER EXCEPT ON ORDER OR WITH PRIOR WRITTEN AUTHORIZATION OF ATI.</p>	
DO NOT SCALE DRAWING. ALL DIMENSIONS ARE IN MILLIMETERS.			
 3rd ANGLE PROJECTION		DRAWN BY: J. Winterroth, 12/03/13 CHECKED BY: D. Norton, 12/04/13	
		TITLE TSM Tooling Interface Plate for QC-76 - Blank	
PROJECT # -		SCALE 1:3	SIZE B DRAWING NUMBER 9630-20-TSM-HVQ-6624 REVISION 01