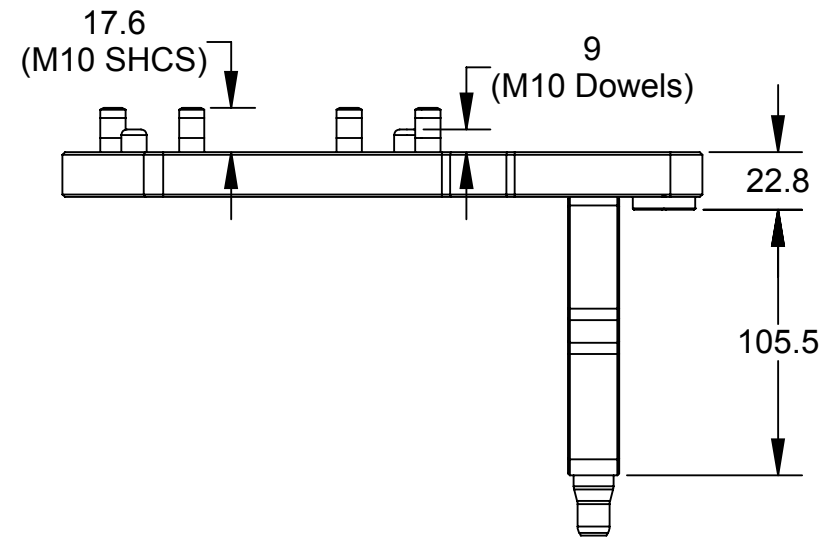
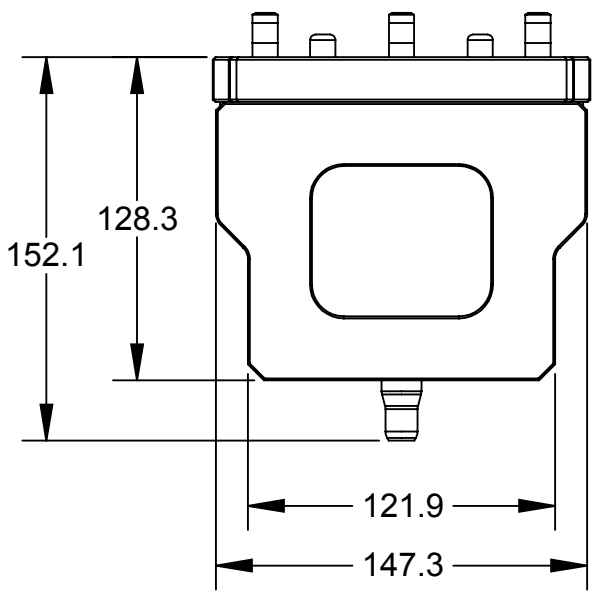
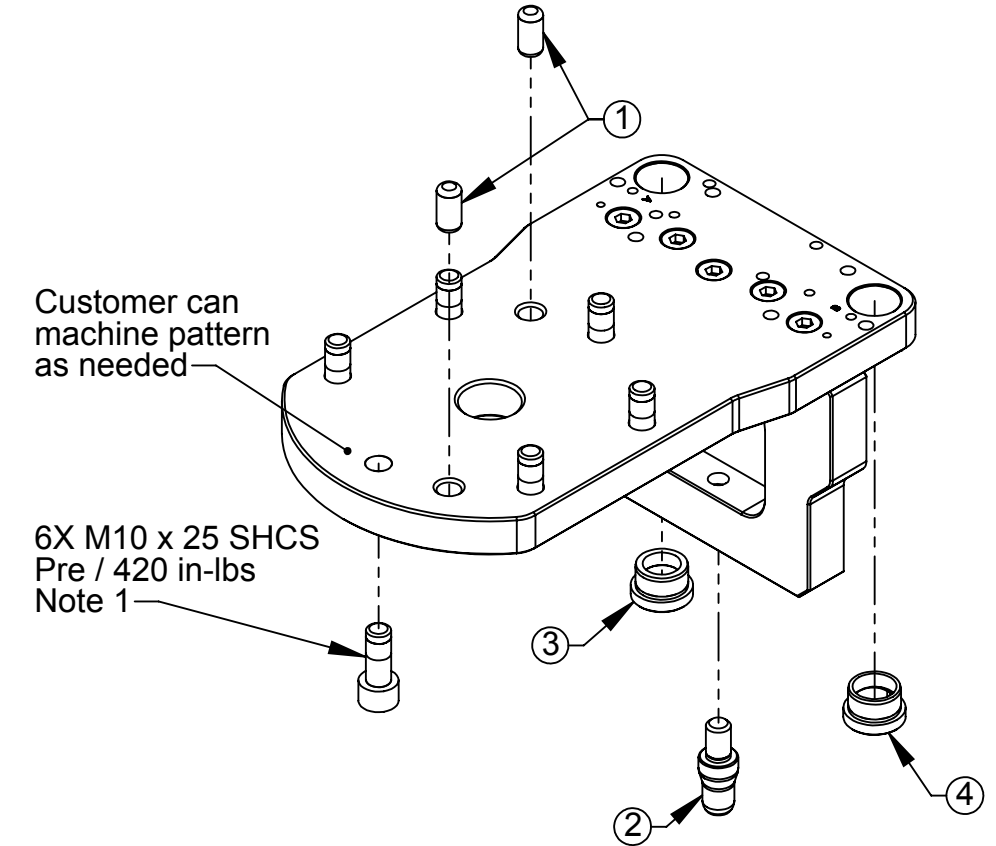
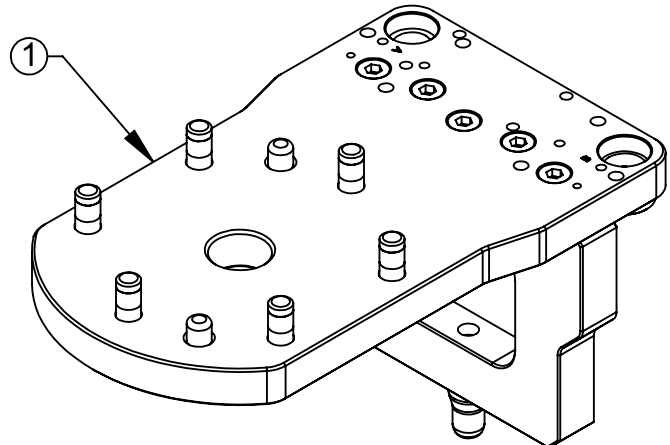
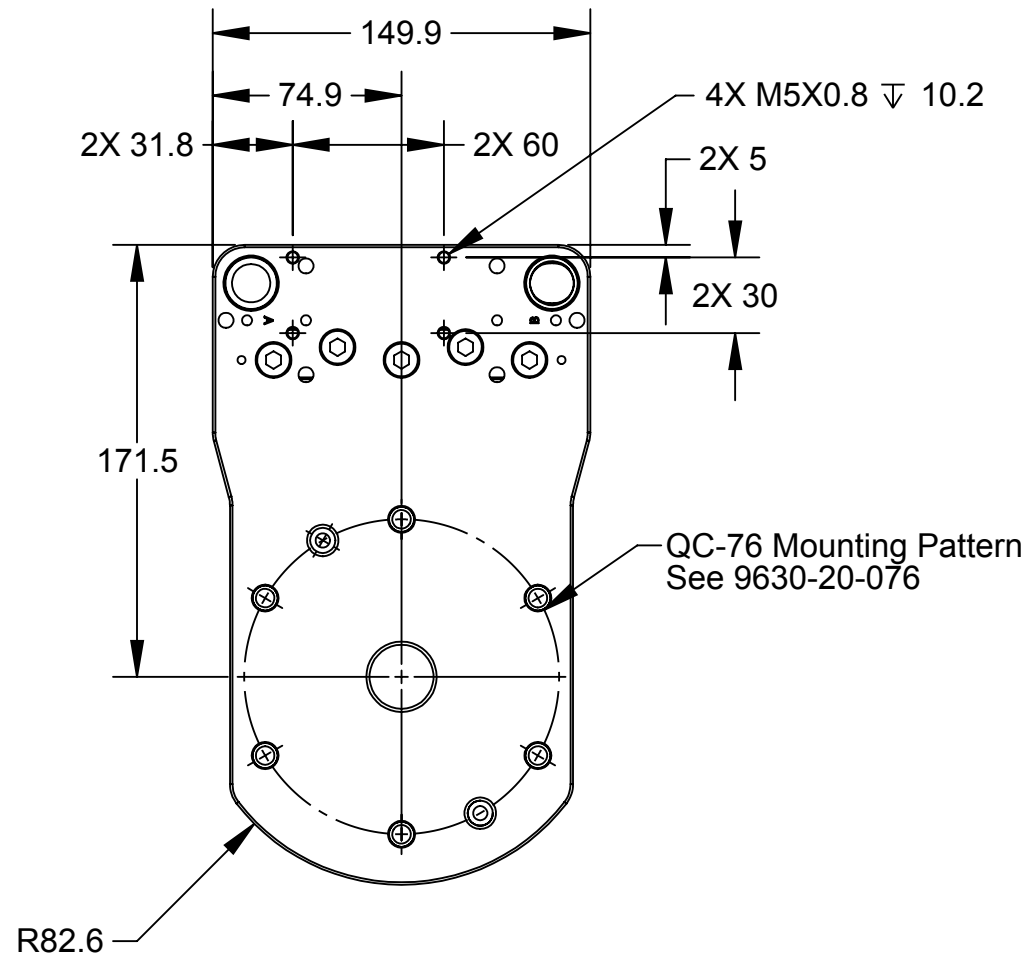


Rev.	Description	Initiator	Date
02	ECO 16373: Updated customer drawing to reflect addition of TSM-MA03 mounting pattern to TSM interface plate. Added "4X M5X0.8 ∇ 10.2" to Top View.	TBC	1/12/2018



Serviceable Items			
ITEM NO.	QTY.	PART NUMBER	DESCRIPTION
1	2	3540-0110020-11	DOWEL PIN M10 x 20
2	1	3700-20-8434	TSM Pin & Bushing, Alignment Pin, Dual Taper
3	1	3700-20-8435	Drill Bushing, Flanged, 16mm ID
4	1	3700-20-8436	Drill Bushing, Flanged, Elongated, 16mm ID

- Notes:
1. Fasteners & Dowels shipped loose. To be installed by customer.
 2. Plate material: 6061-T6 Aluminum, soft coat black anodize.
 3. Weight: approx. 8.9 lbs.

ITEM NO.	QTY.	PART NUMBER	DESCRIPTION
1	1	9120-TSM-HBQ-9224	TSM Tooling Interface Plate for QC-76 - Blank

NOTES: UNLESS OTHERWISE SPECIFIED.
DO NOT SCALE DRAWING. ALL DIMENSIONS ARE IN MILLIMETERS.

ATI INDUSTRIAL AUTOMATION

1031 Goodworth Drive, Apex, NC 27539, USA
 Tel: +1.919.772.0115 Email: info@ati-ia.com
 Fax: +1.919.772.8259 www.ati-ia.com
 ISO 9001 Registered Company

PROPERTY OF ATI INDUSTRIAL AUTOMATION, INC. NOT TO BE REPRODUCED IN ANY MANNER EXCEPT ON ORDER OR WITH PRIOR WRITTEN AUTHORIZATION OF ATI.

DRAWN BY: D. Wooden 02/27/15		TITLE	
CHECKED BY: J. Winterroth 03/04/15		TSM Tooling Interface Plate for QC-76 - Blank	
PROJECT # 130510-5	SHEET 1 OF 1	SCALE 1:3	SIZE B
		DRAWING NUMBER	REVISION
		9630-20-TSM-HBQ-9224	02

3rd ANGLE PROJECTION