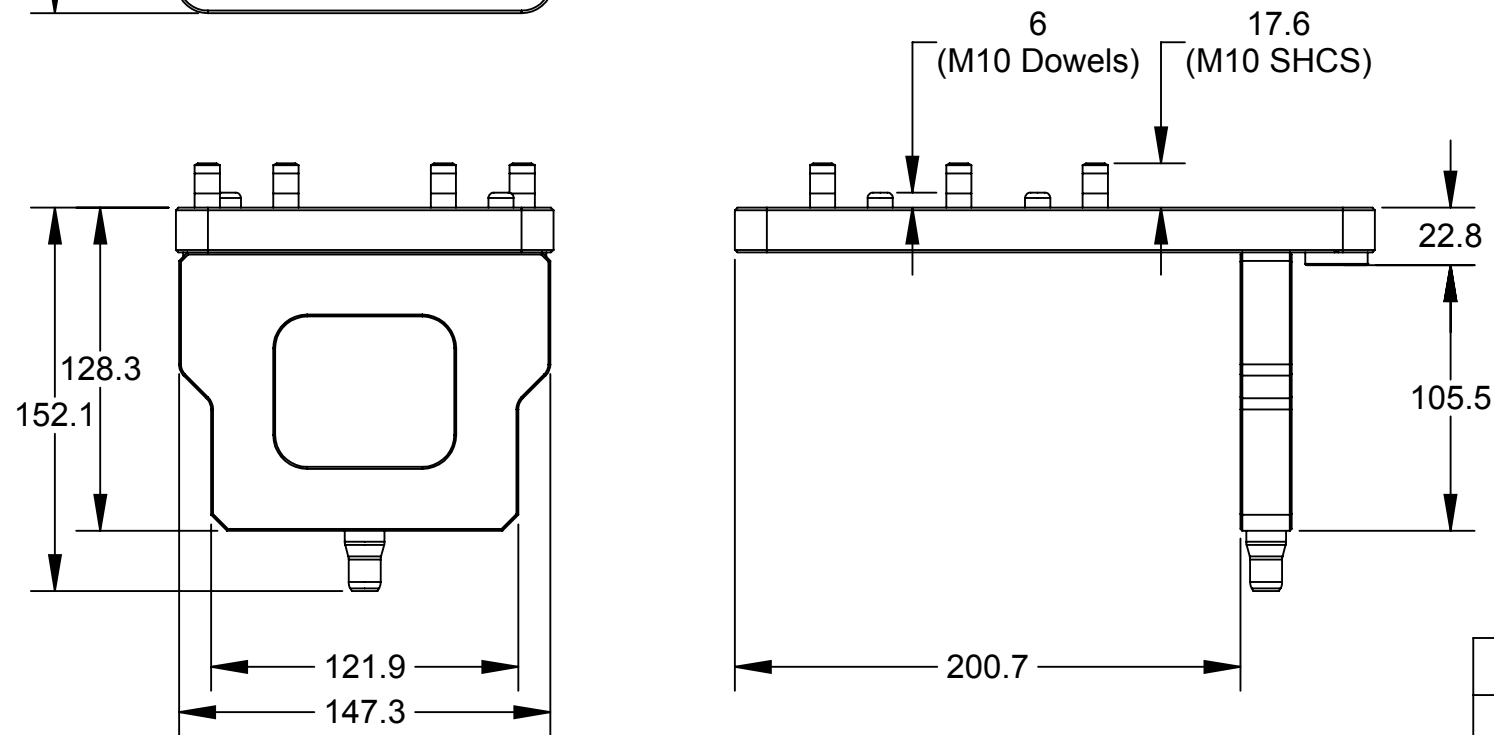
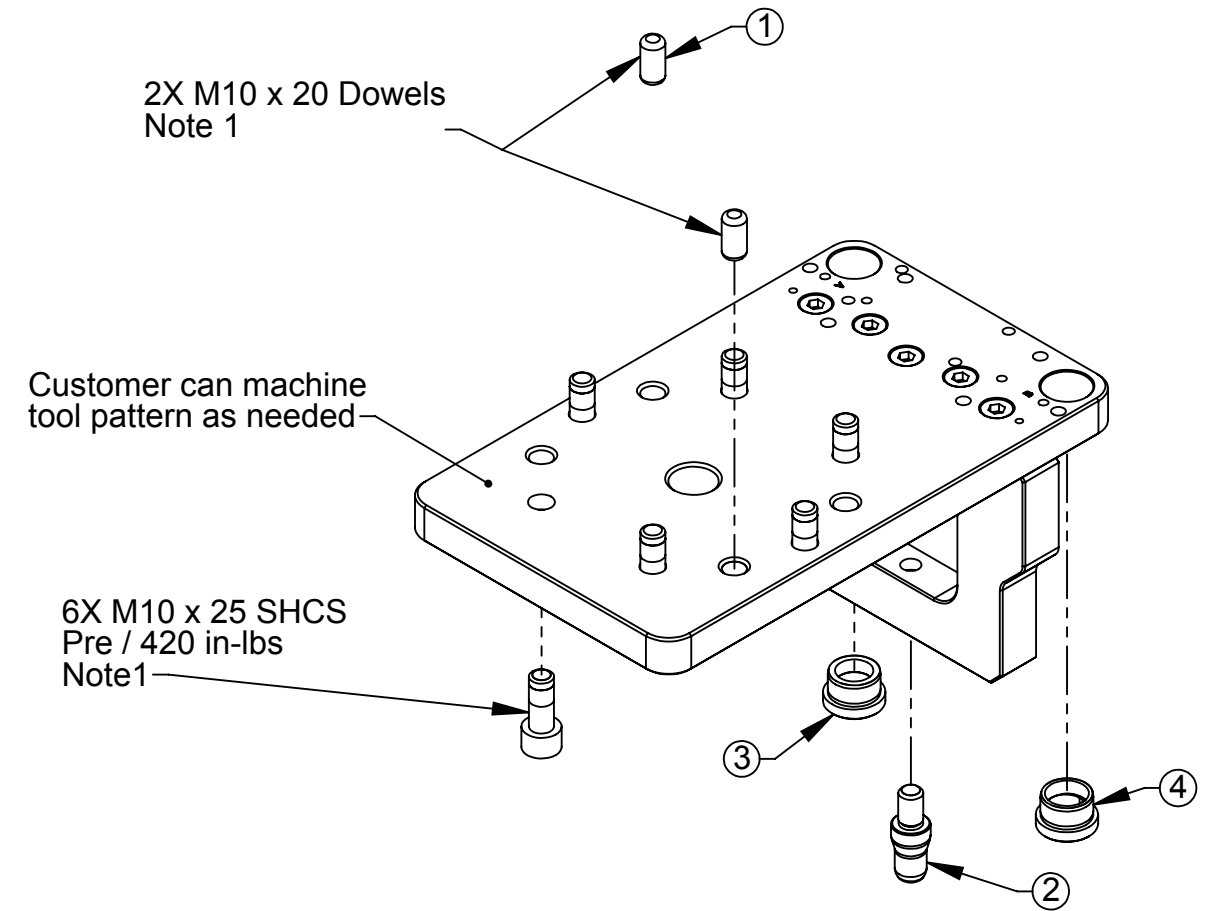
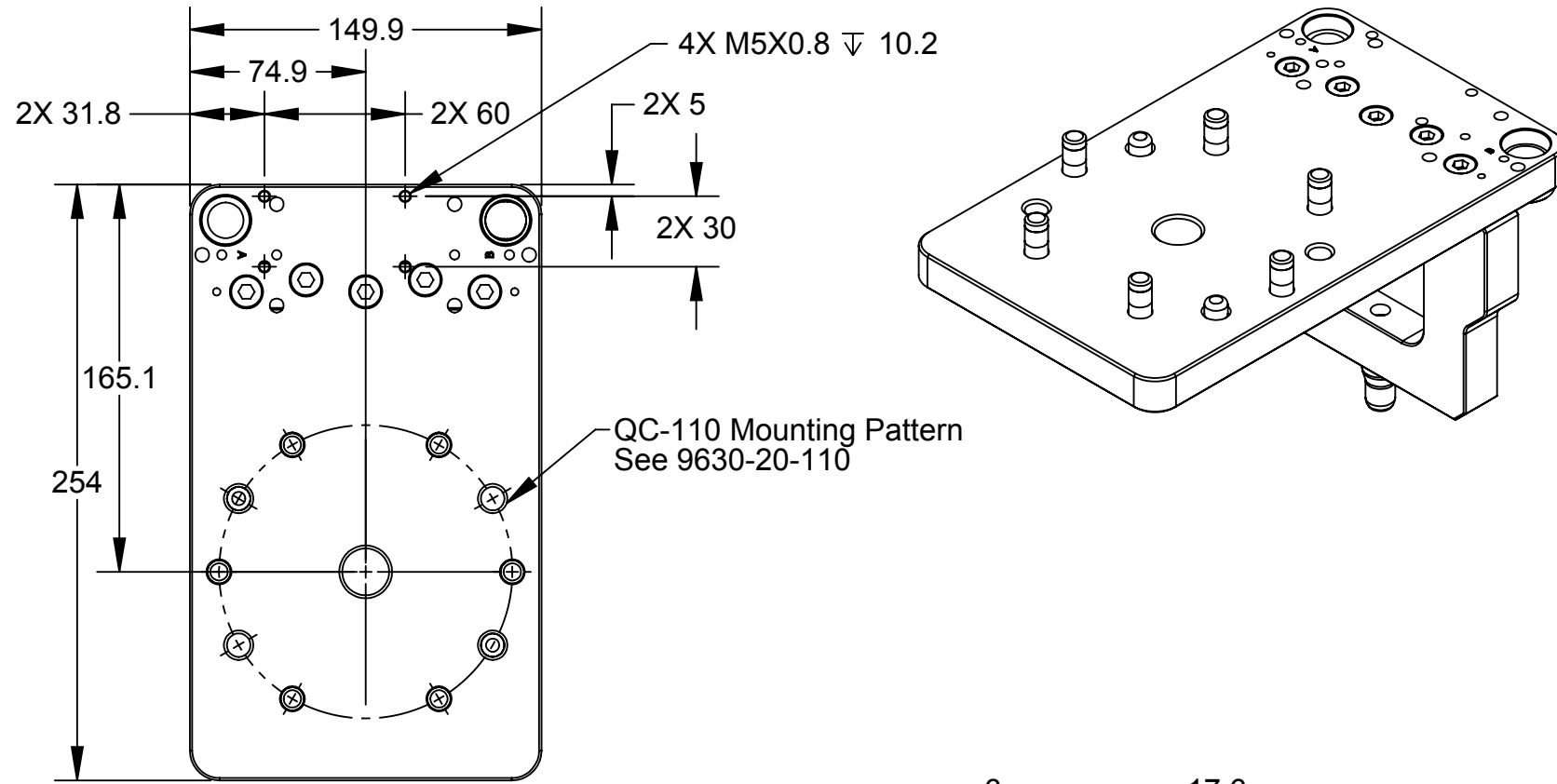


Rev.	Description	Initiator	Date
02	ECO 16373: Updated customer drawing to reflect addition of TSM-MA03 mounting pattern to TSM interface plate.	TBC	1/12/2018



Serviceable Items			
ITEM NO.	QTY.	PART NUMBER	DESCRIPTION
1	2	3540-0110020-11	DOWEL PIN M10 x 20
2	1	3700-20-8434	TSM Pin & Bushing, Alignment Pin, Dual Taper
3	1	3700-20-8435	Drill Bushing, Flanged, 16mm ID
4	1	3700-20-8436	Drill Bushing, Flanged, Elongated, 16mm ID

**Notes:**

1. Fasteners & Dowels shipped loose. To be installed by customer.
2. Plate material: 6061-T6 Aluminum, soft coat black anodize.
3. Plate weight: approx 6 lbs.

ITEM NO.	QTY.	PART NUMBER	DESCRIPTION
1	1	9120-TSM-HBQ-8439	TSM Tooling Interface Plate for QC-110 - Blank

NOTES: UNLESS OTHERWISE SPECIFIED.

DO NOT SCALE DRAWING. ALL DIMENSIONS ARE IN MILLIMETERS.

1031 Goodworth Drive, Apex, NC 27539, USA  
Tel: +1.919.772.0115 Email: info@ati-ia.com  
Fax: +1.919.772.8259 www.ati-ia.com  
ISO 9001 Registered Company

PROPERTY OF ATI INDUSTRIAL AUTOMATION, INC. NOT TO BE REPRODUCED IN ANY MANNER EXCEPT ON ORDER OR WITH PRIOR WRITTEN AUTHORIZATION OF ATI.

3rd ANGLE PROJECTION

DRAWN BY: J. Winterroth, 9/23/13	TITLE
CHECKED BY: D. Norton, 10/23/13	TSM Tooling Interface Plate for QC-110 - Blank
PROJECT # 130510-5 SHEET 1 OF 1	SCALE: 1:3    SIZE: B    DRAWING NUMBER: 9630-20-TSM-HBQ-8439    REVISION: 02